



ECH 200

Electronic Controller for mono and bi-compressor Chillers



1	Contents	2
2	How to use this manual	5
3	Introduction	6
3.1	Models available	6
3.2	Components and accessories	7
3.2.1	Basic module	7
3.2.2	Keyboards	7
3.2.3	Interface module	7
3.2.4	Copy Card	8
3.2.5	Fan modules	8
3.2.6	EMC filter	8
3.2.7	Param Manager	8
4	Components and accessories	9
4.1	CF Modules	10
4.1.1	CF modules: technical data	10
4.1.2	CF modules: connections	10
4.1.3	CF modules: mechanical assembly	11
4.2	Multi-network interface	12
4.2.1	Multi-network interface: technical data	12
4.2.2	Multi-network interface: connections	13
4.2.3	Multi-network interface: configuration	14
4.2.4	Multi-network interface: mechanical assembly	14
4.2.5	Multi-network interface: standards	14
5	Installation	15
5.1	Connection diagrams	15
5.2	Configuration of analogue inputs	16
5.3	Configuration of digital inputs	17
5.4	Configuration of outputs	17
5.4.1	Relays	19
5.4.2	Triac	19
5.4.3	Alarm	20
5.4.4	Fan module pilot output	20
5.4.5	Optional output	20
5.4.6	Remote keyboard output	20
5.5	Physical quantities and units of measurement	21
5.5.1	Temperature- or pressure-based operation	21
5.5.2	Units of measurement	21
5.6	Serial outputs	22
5.6.1	Copy card device	22
6	User interface	23
6.1	Keys	23
6.2	Displays	23
6.2.1	Display	23
6.2.2	SET display for air-air machines (for models Ech 2xxB only)	23
6.2.3	Led	24
6.3	Remote keyboard	24
6.4	Parameter programming – Menu levels	25
6.4.1	Visibility of parameters and sub-menus	27
7	System configuration	28
7.1	Compressors	28
7.1.1	Compressor configuration	28
7.1.2	Compressor on/off sequence	28
7.1.3	Compressor timing	28
7.2	Condensation fan	29
7.2.1	Fan configuration	29
7.2.2	DRV module	30
7.3	Reversing valve	30
7.4	Hydraulic pump	30
7.5	Internal anti-freeze/supplementary electrical heaters	31

7.5.1	<i>Supplementary electrical heaters</i>	32
7.6	<i>External anti-freeze electrical heaters</i>	32
7.7	<i>Boiler</i>	32
7.8	<i>Internal fan</i>	32
8	Temperature control functions	33
8.1	<i>Selection of operating mode from analogue input</i>	33
8.2	<i>Setting set points</i>	34
8.3	<i>Dynamic set point</i>	34
8.4	<i>Differential temperature control</i>	36
8.5	<i>Switching from digital input</i>	36
8.6	<i>Load control</i>	36
8.6.1	<i>Compressor control – regulation algorithm</i>	36
8.6.2	<i>Condensation fan control</i>	38
8.6.3	<i>Reversing valve control</i>	39
8.6.4	<i>Hydraulic pump control</i>	39
8.6.5	<i>Anti-freeze/supplementary electrical heater control</i>	39
8.6.6	<i>External anti-freeze electrical heater control</i>	40
8.6.7	<i>Supplementary electrical heater control</i>	40
8.6.8	<i>Boiler control</i>	40
8.6.9	<i>Internal fan control</i>	40
9	Functions	42
9.1	<i>Recording hours of operation</i>	42
9.2	<i>Defrosting</i>	42
9.2.1	<i>Defrost start</i>	42
9.2.2	<i>Defrost end</i>	43
9.2.3	<i>Counter mode</i>	43
9.2.4	<i>Start defrost temperature compensation (for models E2xxB only)</i>	43
9.3	<i>Hot start function</i>	44
9.4	<i>Machine out of coolant signal</i>	44
9.5	<i>Power failure</i>	45
10	Diagnostics	46
10.1	<i>List of alarms</i>	46
10.1.1	<i>TABLE OF DIGITAL ALARMS:</i>	50
10.1.2	<i>TABLE OF ANALOGUE ALARMS:</i>	50
11	Parameters	51
11.1	<i>Description of parameters</i>	51
11.1.1	<i>Configuration parameters</i>	51
11.1.2	<i>Compressor parameters (CP)</i>	53
11.1.3	<i>Fan control parameters (FAN)</i>	53
11.1.4	<i>Alarm parameters (ALL)</i>	54
11.1.5	<i>Anti-freeze/boiler parameters (FRO)</i>	55
11.1.6	<i>Defrost parameters (DFR)</i>	56
11.2	<i>Table of parameters</i>	56
12	Technical features	60
12.1	<i>Technical information</i>	60
12.2	<i>Electromagnetic characteristic</i>	60
12.3	<i>Dimensions</i>	60
12.4	<i>Regulations</i>	60
13	Use of the device	61
13.1	<i>Permitted use</i>	61
13.2	<i>Forbidden use</i>	61
14	Responsibility and residual risks	61
15	Disclaimer	61
16	Examples of air conditioning circuits	62
16.1	<i>Air-water chiller 1 compressor</i>	62
16.2	<i>Air-water chiller 2 compressor</i>	63
16.3	<i>Water-water Chiller 1 compressor</i>	64

16.4	<i>Water-water Chiller 2 compressor</i>	65
16.5	<i>Air-water heat pump 1 compressor</i>	66
16.6	<i>Air-water heat pump 2 compressors</i>	67
16.7	<i>Water-water heat pump 1 compressor</i>	68
16.8	<i>Water-water heat pump 2 compressors</i>	69
17	<i>Glossary</i>	70

2 HOW TO USE THIS MANUAL

This manual is designed to permit quick, easy reference with the following features:

References

References column:

A column to the left of the text contains *references* to subjects discussed in the text to help you locate the information you need quickly and easily.

Cross references

Cross references:

All words written in *italics* are referenced in the subject index to help you find the page containing details on this subject; supposing you read the following text:

"when the *alarm* is triggered, the *compressors* will be shut down"

The italics mean that you will find a reference to the page on the topic of *compressors* listed under the item *compressors* in the index.

If you are consulting the manual "on-line" (using a computer), words which appear in italics are hyperlinks: just click on a word in italics with the mouse to go directly to the part of the manual that discusses this topic.

Icons for emphasis

Some segments of text are marked by icons appearing in the *references* column with the meanings specified below:



Take note: information on the topic under discussion which the user ought to keep in mind



Tip: a recommendation which may help the user to understand and make use of the information supplied on the topic under discussion.



Warning! : information which is essential for preventing negative consequences for the system or a hazard to personnel, instruments, data, etc., and which users **MUST** read with care.

3 INTRODUCTION

Ech 200 is a compact device that permits control of air conditioning units of the following types:

- air-air
- air-water
- water-water
- condensing units

single-circuit, with 1 or 2 *compressors* (steps).

It is possible to control *condensation fan* speed proportionately for currents of up to 2 A without using external devices.

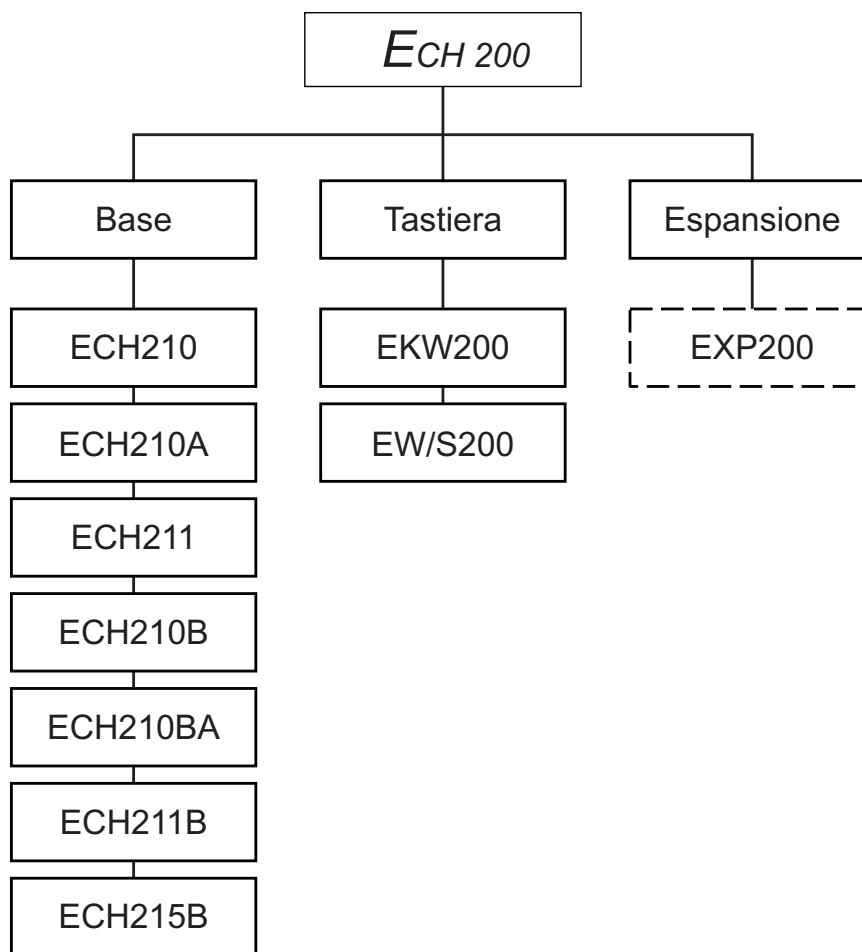
Main characteristics:

- Temperature control based on inlet or outlet probe, depending on the type of machine and its configuration
- Condensation control
- Input may be configured for an NTC temperature probe or for a 4...20 mA signal (through *parameters*)
- Automatic change-over
- *Boiler* or *supplementary electrical heater control* for *heating*
- *Internal fan control* up to 3 steps in the air-air application
- *Dynamic set point*
- Parameter setting from the *keyboard* or through a personal computer
- *Copy card* for uploading and downloading parameter maps
- *Remote keyboard* (up to 100 m) which may be connected up directly without a serial interface
- *4-20 mA or 0-10 V output* (optional internal card)
- *User interface* with a menu featuring 2 different levels of access through password management
- Interface menu may be fully configured from a PC.

3.1 Models available

The *Ech 200 family's* models (base, *keyboard* and expansion) and a reference tabel containing the base *parameters* are illustrated below:

Ech 200 Family



Models available

Expansion EXP200 is available for only model Ech 211.

Base parameters
tabel

	Model	Ech210	Ech211	Ech210A	Ech215
Application	Circuits	1	1	1	1
	<i>Compressors</i> (in chiller)	2	2	2	2
	<i>Compressors</i> (in heat pump)	1	2	1	2
	Stages	1	1	1	1
Input/output	<i>Relays</i> (2A 230 V~)	4	4	4	5
	<i>Triac</i> (2A 230 V~)	1			
	Digital input	5	5	5	5
	Analog output			1	
	Analog input	4	4	4	4
Features	Srew connectors	•	•	•	•
	<i>Remote keyboard</i>	•	•	•	•
	Remote on-off	•	•	•	•
	Heat pump control	•	•	•	•
	Defrost	•	•	•	•
	Condensing pressure control	•	•	•	•
	Water pump control	•	•	•	•
	Electric heater	•	•	•	•
	<i>Dynamic set point</i>	•	•	•	•
	Water free <i>cooling</i>	•	•	•	•
Diagnostic	Water flow <i>alarm</i>	•	•	•	•
	High pressure <i>alarm</i>	•	•	•	•
	Low pressure <i>alarm</i>	•	•	•	•
	Thermal compressor <i>alarm</i>	•	•	•	•
	Thermal fan <i>alarm</i>	•	•	•	•
	Antifreeze <i>alarm</i>	•	•	•	•
High water temperature <i>alarm</i>	•	•	•	•	

3.2 Components and accessories

We will now look at the basic *components and accessories* in the system and how they are connected.

3.2.1 Basic module

The *basic module* is a compact device, to be connected up as illustrated in the *connection diagrams*.

3.2.2 Keyboards

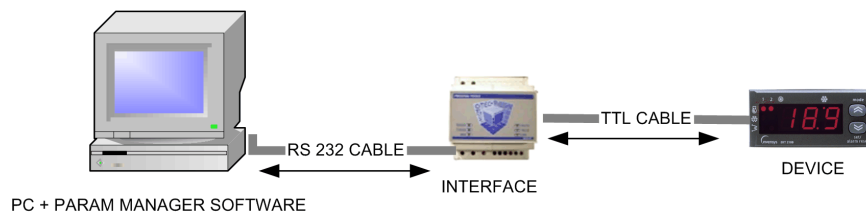
Two types of *keyboard* are available:

- TS/W wall-mounted *remote keyboard*
- TS/WS wall-mounted *remote keyboard* with a sensor aboard
- TS/W wall-mounted *remote keyboard* without *display*

3.2.3 Interface module

A device which permits the controller to interface with a Personal Computer
It must be connected up as illustrated in the figure

Connection to PC



RS 232 CABLE: RS 232 cable (1,8m)
INTERFACE: EWTk-PT <i>Interface module</i> 230V~
TTL CABLE: TTL cable 5 wire (30cm)
DEVICE: ECH200

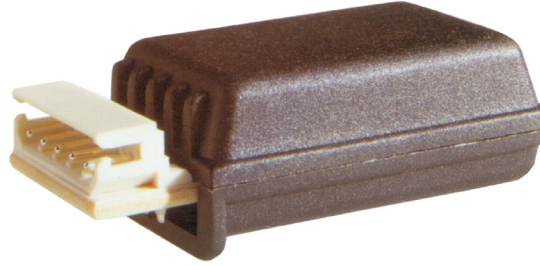


The PC must be connected with the *interface module*, and the *interface module* with the device, with no power on to any of the devices, and in compliance with current safety *regulations*. Be careful to avoid electrostatic shocks, especially on exposed metal parts of the devices. Allow electrostatic shocks to discharge into the ground before handling.

3.2.4 Copy Card

A device which may be used to upload and download the Ech 200 parameter map.

Copy Card picture



PLEASE NOTE

- **UPLOAD** means copy from instrument to COPYCARD
- **DOWNLOAD** means copy from **COPY CARD** to instrument

3.2.5 Fan modules

May be used to connect fans to Ech 200's low voltage *outputs*.

3.2.6 EMC filter

If a *triac* internal (all models except ECH 215B) model or an external *triac* card are used, an antijamming filter must be connected upstream power supply. This filter removes the electromagnetic noise this control emits into the mains.

3.2.7 Param Manager

If you have an adequate Personal Computer with Windows 95 or a more recent operating system, the *Param Manager* software, and adequate *interface module* and proper wiring, you can have full control over all Ech 200 *parameters* via Personal Computer.

The instrument can be programmed easily and quickly using a series of interfaces which permit a logical, guided approach.

4 COMPONENTS AND ACCESSORIES

Name	Code	Description
Ech 210	MW320010	Machines management heat pump 1 step or only chiller 2 steps maximum: <ul style="list-style-type: none"> power supply 12V~ 50/60Hz; NTC103AT probe input. NTC or 4...20mA configurable condensation input; plastic container 32x74 mm ; panel drilling 29x71 mm; integrated fan speed control up to 2A maximum without CF additional module.
Ech 210A	MW320020	The same as ECH 210 except for: <ul style="list-style-type: none"> integrated speed control not present; analogue exit 4-20mA and 0-10V for <i>condensation fan control</i> present.
Ech 210B	MW320012	The same as ECH 210 with: <ul style="list-style-type: none"> MODBUS communication protocol for BMS; remote control sensor management on <i>remote keyboard</i>.
Ech 210BA	MW320022	The same as ECH 210A with: <ul style="list-style-type: none"> MODBUS communication protocol for BMS; remote control sensor management on <i>remote keyboard</i>.
Ech 211	MW320030	The same as ECH 210 except for: <ul style="list-style-type: none"> integrated speed control not present; output for 2 steps heat pump management present.
Ech 211B	MW320032	The same as ECH 210 with: <ul style="list-style-type: none"> MODBUS communication protocol for BMS; remote control sensor management on <i>remote keyboard</i>.
Ech 215B	MW320040	The same as ECH 211B except for: <ul style="list-style-type: none"> 5 internal <i>relays</i> with ONLY ON/OFF <i>condensation fan</i> speed management.
FRONTAL PROTECTION	PR111120	Rubber frontal sheath for high protection from external environment.
CF-05 MODULE	MW991000	Open board (back-of-board mounting) for fan speed control (for fans with current higher than 2A) through phase cut. Characteristics of the model: <ul style="list-style-type: none"> power 500W; Faston connectors.
CF-15 MODULE	MW991100	Open board (back-of-board mounting) for fan speed control (for fans with current higher than 2A) through phase cut. Characteristics of the model: <ul style="list-style-type: none"> power 1500W; Faston connectors.
CF-22 MODULE	MW991200	Open board (back-of-board mounting) for fan speed control (for fans with current higher than 2A) through phase cut. Characteristics of the model: <ul style="list-style-type: none"> power 2200W; Faston connectors.
CF-REL MODULE	MW991300	Open board for the <i>condensation fan</i> ON-OFF control. Characteristics of the model: <ul style="list-style-type: none"> maximum current 6A.; faston connectors.
ECH 211 EXP	MW320100	Relay module (230V~, 10A) with DIN guide mounting base for heat pump step 2 control. To be used in heat pump 2 steps configurations together with ECH 211.
<i>KEYBOARD</i> TS-W ECH 200	MW320600	<i>Keyboard</i> for remote machine control for wall mounting.
<i>KEYBOARD</i> TS-W/ND ECH 200	MW320601	<i>Keyboard</i> for remote machine control for wall mounting without <i>display</i> .
<i>KEYBOARD</i> TS-W/S ECH 200	MW320602	<i>Keyboard</i> for remote machine control for wall mounting with internal temperature sensor.
TRANSFORMER	TF411200	Transformer 230V~/12A 5,6VA
<i>COPY CARD</i>	MW320500	Parameter scheduling key (for hard storage device <i>parameters</i>)
ELECTRICAL WIRING	COHV0100	Harness for user control (connector + 1 m cables).
	COLV0100	Harness (connector + 1 m cables) to connect low voltage inputs and <i>outputs</i> .
	CORK0100(*)	3-way harness (connector + 1 m cables) for: <ul style="list-style-type: none"> TS-W ECH 200; ECH 210A.
	COER0100(*)	2-way harness (connector + 1 m cables) for: <ul style="list-style-type: none"> ECH 211 EXP.
FILTER	FT111201	LC mains filter for ECH 200.
PROBE	SN691150	Temperature probe NTC 103AT 1,5MT .
	SN8P2X1502	Temperature probe NTC 103AT 1,5MT rapid.
	SN8S0A1500	Temperature probe NTC 6X40 1.5 MT SILICONE.
	SN8S0A3000	Temperature probe NTC 6X40 3 MT SILICONE.
EWRS485	T6V53C0700	Serial <i>interface module</i> RS485-TTL for mounting on DIN/4 guide
<i>PARAM MANAGER</i>	SPPM000100	Scheduling software for Invensys instruments in WINDOWS environment (with EWTK-PT only).

EWTK-PT	T6V51C0750	<i>Interface module</i> for <i>PARAM MANAGER</i> (RS232 - TTL/RS485) software for mounting on DIN/4 guide.
EWTK-NET	T6V51C0760	Serial <i>Interface Module</i> with Invensys protocol (RS232 - TTL/RS485) for mounting on DIN/4 guide.
MULTI NETWORK INTERFACE	MW318933	Passive serial <i>interface module</i> for mounting on DIN/4 guide. <ul style="list-style-type: none"> • RS232-TTL • RS232-RS485 • TTL-RS485
RS 232 cable	1500128	1,8 m length (**)
TTL cable	1500180	0,3 m (30 cm) length (***)

(**) These electrical harnesses are already provided in the instrument package they are to be connected with.

(**) Other lengths available. Recommended 1,8 m. Maximum length depends on transmission data speed

(***) Other lengths available. Recommended 0,3 m. Other lengths allowed due to magnetic disturbance in environment .



GENERAL NOTES:

- COHV e COLV harnesses are not necessary if directly made up by the manufacturer.
- *Remote keyboard* connections through 3-way harness without using optional modules.
- Invensys also has multiple NTC probes with different kind of cables (PVC or silicone) and different cable length.

4.1 CF Modules

CF series instruments are optional modules that if connected to the main control systems allow the adjustment of fans with current from 2 A to 10 A.

They have an "open board" form and are available in several models:

- CF-REL for simple ON/OFF control;
- CF-05 to control through phase cut in a maximum power of 500 W;
- CF-15 to control through phase cut in a maximum power of 1.500 W;
- CF-22 to control through phase cut in a maximum power of 2.200 W.

4.1.1 CF modules: technical data

Power supply voltage: 230V~.

type of current on charge:

- CF-05: 500 W maximum.
- CF-15: 1500 W maximum.
- CF-22: 2200 W maximum.

Maximum absorption current:

- CF-05: 2,5 A maximum current at 230 V~.
- CF-15: 8 A maximum current at 230 V~.
- CF-22: 12 A maximum current at 230 V~.

Values and fuse type:

- CF-05: 5x20 2,5 A delayed.
- CF-15: 5x20 8 A delayed.
- CF-22: 5x20 12 A delayed.



the fuse considered is related to the maximum charge hypothesis (it is the fuse supplied). It is designed to protect the fan module power component. In no case a fuse of a superior capacity must be assembled. However, the fuse value has to be dimensioned on the charge to be piloted through the fan module (the resulting value must be lower than the maximum value). If dimensioned appropriately it also protects the charge.

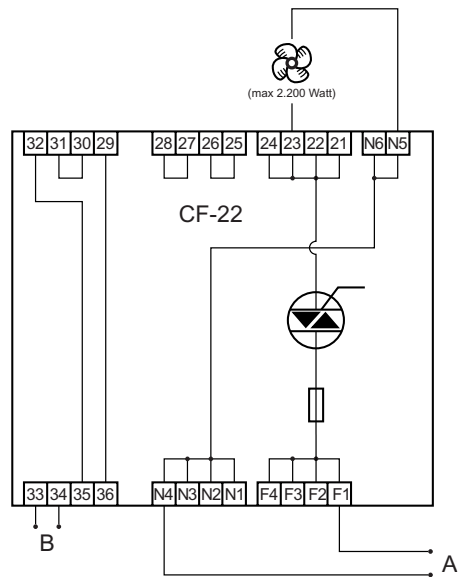
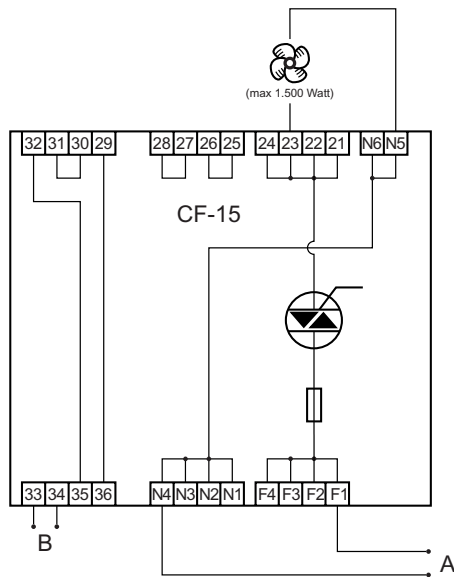
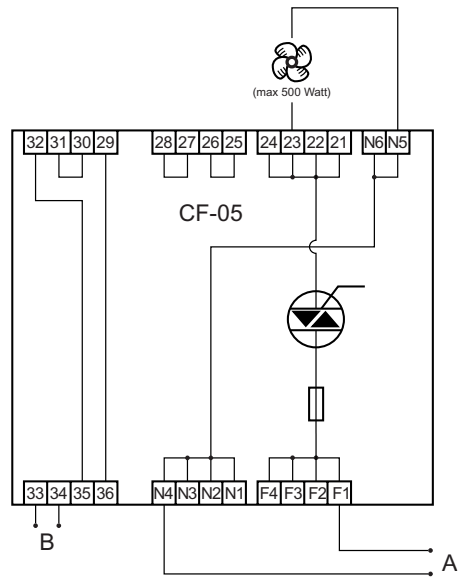
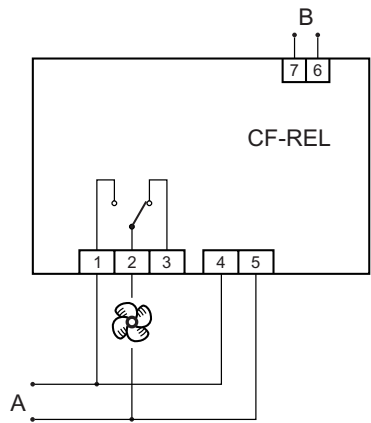
- Supplied power: varying according to the model (500W/1500W/2200W).
- Control signal type: pulse modulation.
- Protection coefficient: IP00 (open board).

4.1.2 CF modules: connections

CF modules connection is performed by using Fast-on connectors assembled on boards.

Below a list of the *connection diagrams* for every type of module is shown:

Connection diagram



A: power supply
B: control signal

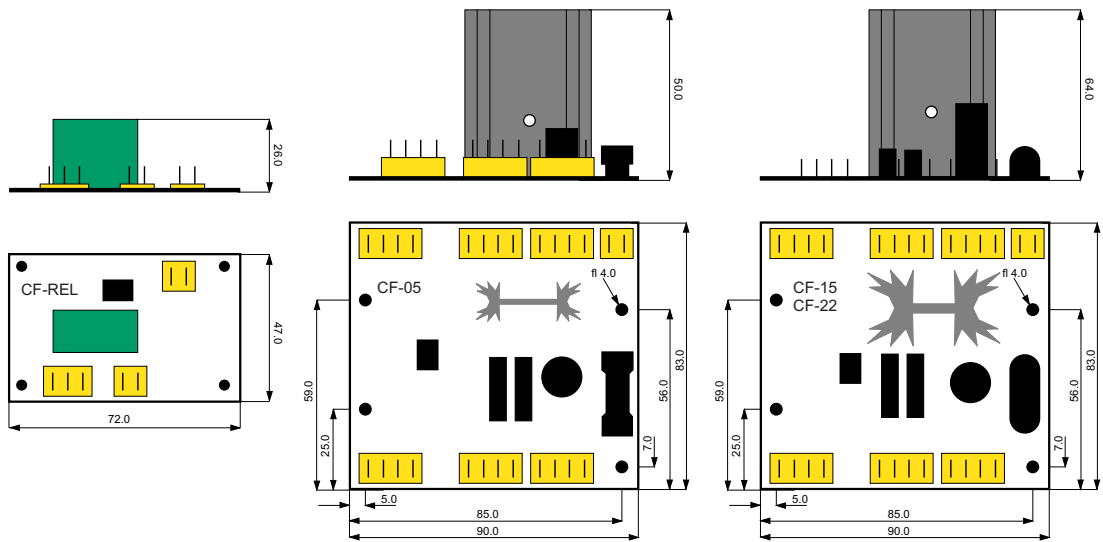


Always work on connections using a NOT powered instrument. Operations must be performed by qualified personnel.

4.1.3 CF modules: mechanical assembly

Power boards are supplied for the back-of-board *installation*.
The different board model *dimensions* are listed in the following diagram:

Module dimensions



4.2 Multi-network interface

Connection module TTL/RS232, TTL/RS485, RS232/RS485.

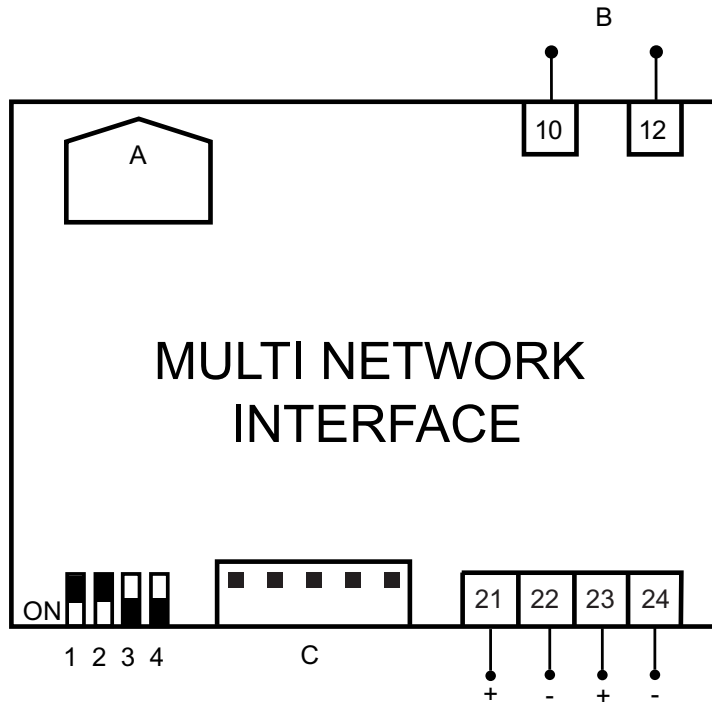
4.2.1 Multi-network interface: technical data

MULTI-NETWORK-INTERFACE consists of:

- Plastic container 4 (four) DIN 70x85 mm modules
- Depth: 61 mm
- Mounting on DIN (Omega 3) guide or wall
- Connections on *screw clamp* for 2,5 mm² connectors (only one connector for power contacts)
- Working environment temperature: 0...50°C (32...50.00°C).
- Storage temperature: -30...75 °C (-22...167 °F).
- Serial connection: double port RS-485
- TTL connection
- Dip Switch for network configuration
- Power supply (according to the model): 230, 115 V~ ±10%, 50/60 Hz, 5 VA

4.2.2 Multi-network interface: connections

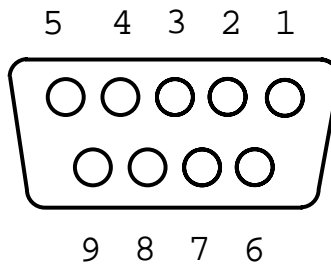
Connection diagram



A: at PC RS 232 port
B: power supply
C: TTL output
1: not used
2: not used
3: ECO
4: DTR
21-23: RS 485 +
22-24: RS 485 -

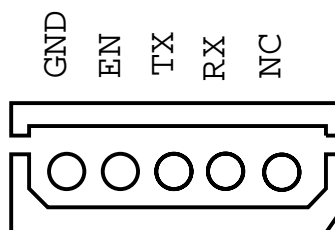
RS 232 connector

- Multi-network interface* is provided with the following connection items:
- 1 serial connector for RS-232 connection to the computer



5-way molex connector

- One 5-way molex connector for the TTL connection.



screw clamp

- 6 *screw clamps* for 2,5 mm² conductors divided into:
- 4 *screw clamps* for connections to the RS-485 serial line
- *screw clamps* for power supply.



Make sure that power supply voltage is according to the instrument voltage.

4.2.3 Multi-network interface: configuration

The module has a 4-way dipswitch to configure the RS232 signal.

Of the 4 ways available, the 3rd and the 4th only are active. They perform the following tasks:

dip switch

DIP 3 Enabling/disabling the ECHO signal.

This DIP allows to determine echo presence or absence. Sometimes the transmitter requires echo in order to verify the transmission.

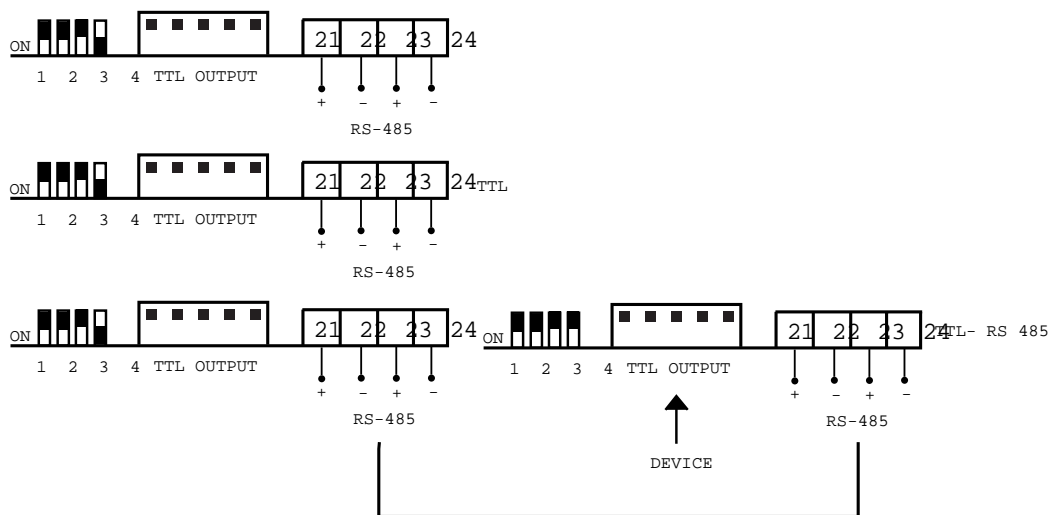
If echo is not required, it can be excluded from the mains through the dip configuration; in this way the transmitter will not understand the signal in a wrong way and the communication is not invalidated.

DIP 4 Configures DTR polarity.

When you transmit in RS-485 the transmitter uses the DTR in order to make the line “busy”. Polarity is not fixed in a standard way, thus it must be made configurable.

Configuration is performed by setting jumpers as shown in the following figure:

PIN configuration



Please remember the following observations

- The connection among the system’s modules and instruments for the RS 485 serial line must be made using a cable with 0,5 mm² conductors.
- The distance between the *interface module* with the P.C. and the last module must not exceed 1.000 m.
- Maximum instrument number: 32.
- For cable laying, follow the laws in force. The use of a shielded cable (such as Belden cable model 8762 with PVC sheath PVC, 2 conductors plus braiding, 20 AWG, rated capacity between conductors 89 pF, rated capacity between one conductor and other conductors connected to the electric shielding 161 pF).
- ALWAYS insert a 100 Ω, 0,25W resistance between the “+” and “-” terminals of the last mains instrument.

4.2.4 Multi-network interface: mechanical assembly

Instruments are designed to be wall-mounted or for mounting on DIN omega guide. The environment temperature allowed for a proper operation ranges from 0 and 50 °C. Do not mount the instrument in humid and/or dirty places.

4.2.5 Multi-network interface: standards

The product complies with the following standards:

- LOW VOLTAGE: EN60335-1 if applicable
- EMISSION : EN50081-1 (EN55022)
- IMMUNITY : EN50082-2 (EN61000-2,3,4,5,6,8,11; ENV 50204)



5 INSTALLATION

Before proceeding with any operation, first make sure that you have connected up the power supply to the device through an appropriate external *current transformer*. Always follow these rules when connecting boards to one another and to the application:

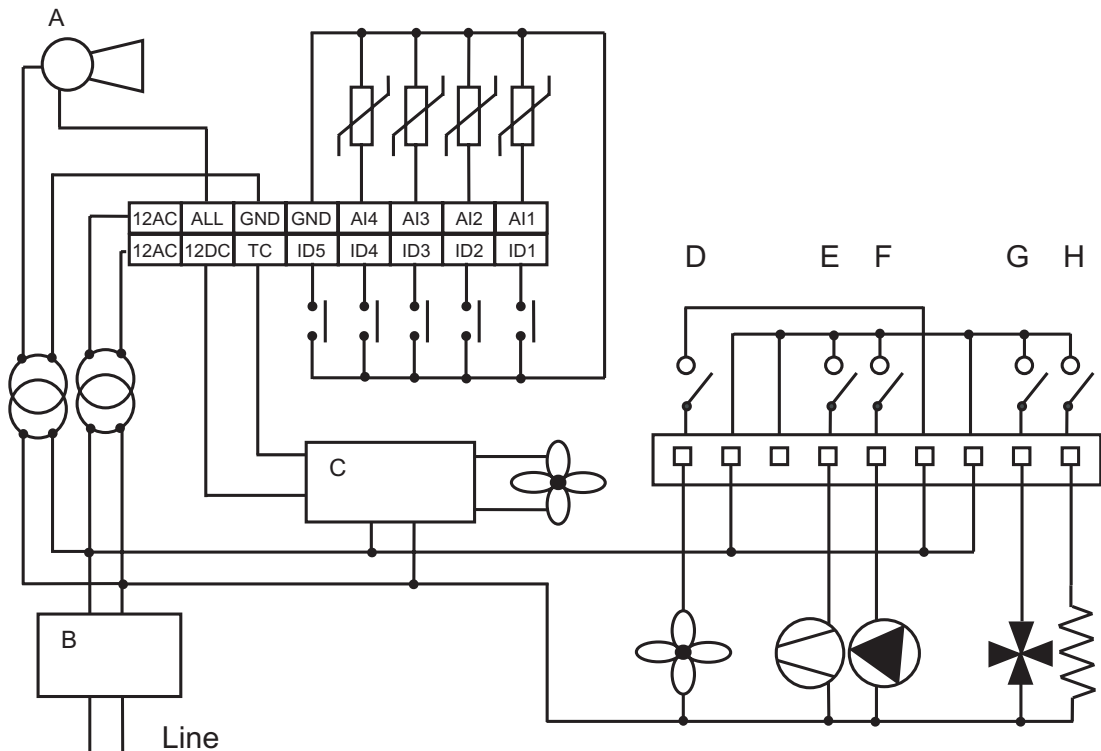
- Never apply *loads* which exceed the limits set forth in these specifications to *outputs*;
- Always comply with *connection diagrams* when connecting up *loads*;
- To prevent electrical couplings, always wire low voltage *loads* separately from high voltage *loads*;

5.1 Connection diagrams

There are 7 Ech 200 models:

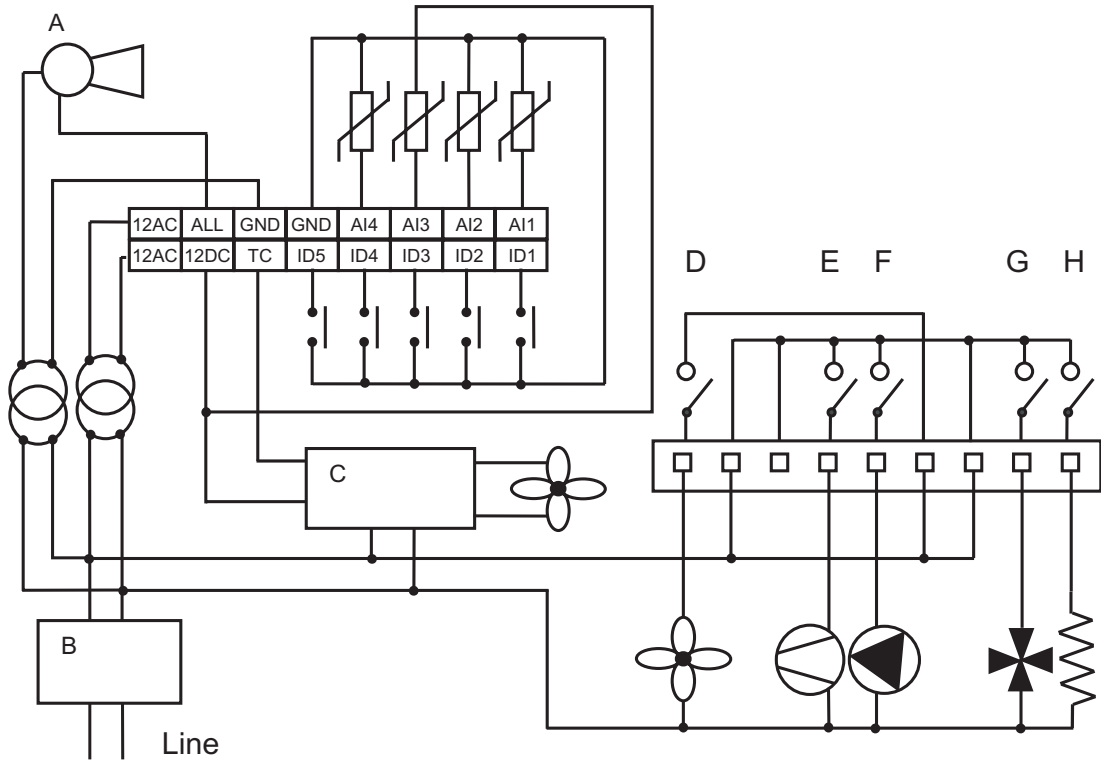
- Ech 210: 2 step chiller
- Ech 210A: 2 step chiller with analogue output
- Ech 210B: 2 step chiller + modbus
- Ech 210BA: 2 step chiller + analogue output + modbus
- Ech 211: 2 step heat pump
- Ech 211B: 2 step heat pump + modbus
- Ech 215B: 2 step chiller + modbus

Connection to
probe AI3
configured as NTC



A: <i>alarm</i> output	E: relay 1
B: LC filter	F: relay 2
C: CF control	G: relay 3
D: TK/relay 5 (only for 215B)	H: relay 4

Connection to probe AI3 configured as 4...20mA C



A: <i>alarm</i> output	E: relay 1
B: LC filter	F: relay 2
C: CF control	G: relay 3
D: TK/relay 5 (only for 215B)	H: relay 4

Instrument configuration is determined by the values of the *parameters* associated with inputs and *outputs*.

5.2 Configuration of analogue inputs

Analogue inputs

There are 4 *analogue inputs*:

- 3 NTC type temperature probes
- 1 input which may be configured for an NTC probe or a 4...20 mA signal.

The inputs, which shall henceforth be referred to as AI1...AI4, are configured as shown in the table below:

Analogue inputs: configuration table

Pa.	Description	Value					
		0	1	2	3	4	5
<i>Pa H05</i>	Configuration of analogue input AI1	Probe absent	NTC input Inlet water/air	Digital input Request for <i>heating</i>	Digital input Request for regulation algorithm	NTC input Differential	Not permitted
<i>Pa H06</i>	Configuration of analogue input AI2	Probe absent	NTC input Outlet water/air, anti-freeze	Digital input, Request for <i>cooling</i>	Digital input for antifreeze <i>alarm</i>	Not permitted	Not permitted
<i>Pa H07</i>	Configuration of analogue input AI3	Probe absent	NTC input Condensation	4...20 mA input for condensation	4...20 mA input for <i>dynamic set point</i>	NTC input Anti-freeze for water-machines with automatic (internal) reversing of coolant gas	NTC probe Regulation algorithm in <i>heating</i> mode for water-machines with manual reversal on water side
<i>Pa H08</i>	Configuration of analogue input AI4	Probe absent	NTC input Condensation	Multifunctional digital input	NTC input Outdoor temperature	Not permitted	Not permitted

If input AI3 is defined as a 4...20 mA input, the scale bottom value of the pressure input is also significant: *Pa H09*, maximum input value; sets the corresponding value to a current of 20 mA

5.3 Configuration of digital inputs

Digital inputs

There are 5 voltage-free *digital inputs*, which will henceforth be identified as ID1...ID5. AI1, AI2 e AI4 may be added to these if they are configured as *digital inputs* (through *parameters Pa H05, Pa H06, and Pa H08*).
A total of 8 *digital inputs* is thus available.

Digital inputs: polarity

The polarity of *digital inputs* is determined by the *parameters* listed below:

Parameter	Description	Value	
		0	1
Pa H10	Polarity of digital input ID1	Active if closed	Active if open
Pa H11	Polarity of digital input ID2	Active if closed	Active if open
Pa H12	Polarity of digital input ID3	Active if closed	Active if open
Pa H13	Polarity of digital input ID4	Active if closed	Active if open
Pa H14	Polarity of digital input ID5	Active if closed	Active if open
Pa H15	Polarity of input AI1 (configured as digital)	Active if closed	Active if open
Pa H16	Polarity of input AI2 (configured as digital)	Active if closed	Active if open
Pa H17	Polarity of input AI4 (configured as digital)	Active if closed	Active if open

Inputs ID1 and ID2 cannot be configured and fulfil the following *functions*:

- ID1 : High pressure input
- ID2 : Low pressure input

The *functions* of the other inputs may be configured using *parameters*:

- AI1, AI2: (Refer to [Analogue inputs: configuration table](#))
- ID3, ID4, ID5 and AI4: as shown in the table below

Digital inputs: configuration table

Digital input configuration parameters	Parameter code	Value						
		0	1	2	3	4	5	6
Configuration parameter ID3	Pa H18	Thermal switch compressor 1	Thermal switch fan	Flow switch	Remote heat cool	Remote On-off	Thermal switch compressor 2	Request step 2
Configuration parameter ID4	Pa H19	Thermal switch compressor 1	Thermal switch fan	Flow switch	Remote heat cool	Remote On-off	Thermal switch compressor 2	Request step 2
Configuration parameter ID5	Pa H20	Thermal switch compressor 1	Thermal switch fan	Flow switch	Remote heat cool	Remote On-off	Thermal switch compressor 2	Request step 2
Configuration parameter AI4	Pa H21	Thermal switch compressor 1	Thermal switch fan	Flow switch	Remote heat cool	Remote On-off	Thermal switch compressor 2	Request step 2

If more than one of the *parameters* appearing in table 3 is configured with the same value, the function will be called up in response to at least one of the inputs.

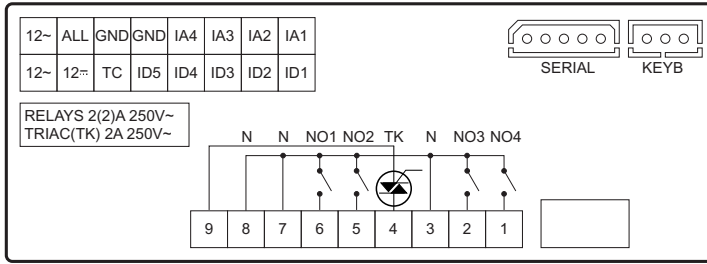
5.4 Configuration of outputs

Outputs

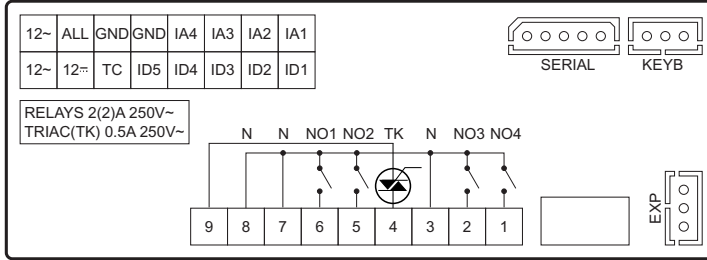
The table below shows the *outputs* depending on the model with the symbols used in the labels that are associated to the instrument and that will be shown next to the tabel.

Model	Relays			Triac			Optional		Keyboard		Serial		Alarm		Fan modules piloting	
	N°	Symbol	Capacity	N°	Symbol	Capacity	N°	Symbol	N°	Symbol	N°	Symbol	N°	Symbol	N°	Symbol
ECH 210	4	NO1..NO4	2A	1	TK	2A	--	--	1	KEYB	1	SERIAL	1	ALL	1	TC
ECH 210A	4	NO1..NO4	2A	1	TK	0.5A	1	EXP (analogue)	1	KEYB	1	SERIAL	1	ALL	1	TC
ECH 210B	4	NO1..NO4	2A	1	TK	2A	--	--	1	KEYB	1	SERIAL	1	ALL	1	TC
ECH 210BA	4	NO1..NO4	2A	1	TK	0.5A	1	EXP (analogue)	1	KEYB	1	SERIAL	1	ALL	1	TC
ECH 211	4	NO1..NO4	2A	1	TK	0.5A	1	EXP (digital)	1	KEYB	1	SERIAL	1	ALL	1	TC
ECH 211B	4	NO1..NO4	2A	1	TK	0.5A	1	EXP (digital)	1	KEYB	1	SERIAL	1	ALL	1	TC
ECH 215B	5	NO1..NO5	2A	0	--	--	1	EXP (digital)	1	KEYB	1	SERIAL	1	ALL	--	--

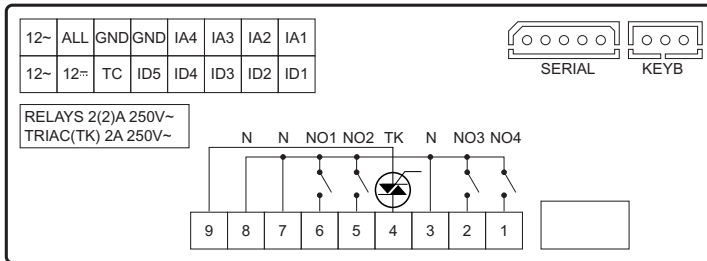
Labels



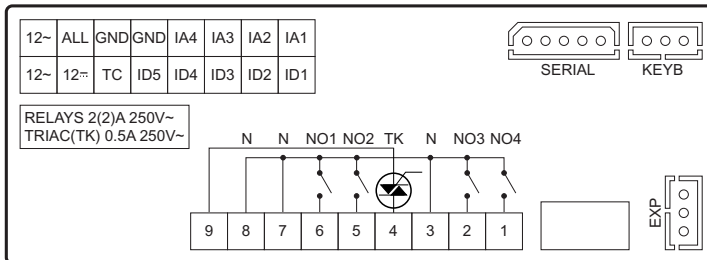
Model Ech 210



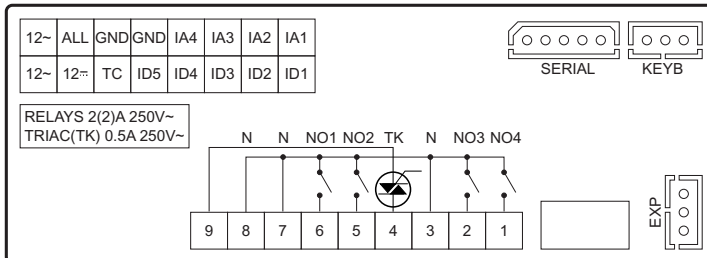
Model Ech 210A



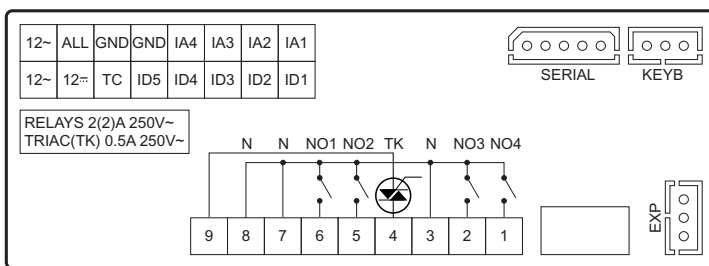
Model Ech 210B



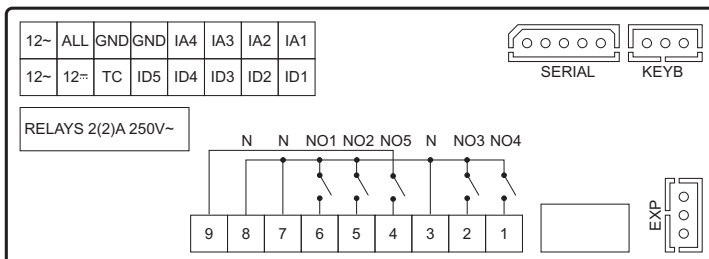
Model Ech 210BA



Model Ech 211



Model Ech 211B



Model Ech 215B

5.4.1 Relays

- NO1 - compressor, 2A resistive 250V~ (¼ HP at 240V~ , 1/8 HP 120V~)
- NO2 - configurable, 2A resistive 250V~ (¼ HP at 240V~ , 1/8 HP 120V~)
- NO3 - configurable, 2A resistive 250V~ (¼ HP at 240V~ , 1/8 HP 120V~)
- NO4 - configurable, 2A resistive 250V~ (¼ HP at 240V~ , 1/8 HP 120V~)
- NO5 – fan on-off, 2A resistive 250V~ (¼ HP at 240V~ , 1/8 HP 120V~) (for model ECH 215B only)

Outputs NO2, NO3, NO4 may be configured as shown in the table below:

Pa.	Description	Value			
		0	1	2	3
<i>Pa H22</i>	Relay NO2 configuration	Pump	<i>Internal fan</i> speed 1	Not permitted	Not permitted
<i>Pa H23</i>	Relay NO3 configuration	<i>Reversing valve</i>	<i>Internal fan</i> speed 3	Second compressor or capacity step	Not permitted
<i>Pa H24</i>	Relay NO4 configuration	Anti-freeze electrical heaters	<i>Internal fan</i> speed 2	<i>Boiler</i>	Not permitted

If multiple *outputs* are configured to run the same resource, the *outputs* will be activated in parallel.

The maximum load present on the different *outputs* simultaneously must NOT exceed 8A

5.4.2 Triac

- TK – control of *condensation fan* or supplementary anti-freeze electric heaters.

For models Ech 210 and Ech 210B the maximum current is 2A-250V~.

For models Ech 210 and Ech 210B NO downstream remote control of *triac* is permitted

For models Ech 210A, Ech 210BA, Ech 211 and Ech 211B the maximum current is 0,5A-250V~.

For model Ech 215B NO *triac* is expected.

The TK output may be configured as shown below:

Pa.	Description	Value			
		0	1	2	3
<i>Pa F01</i>	Configuration of TK output	Proportional <i>condensation fan control</i>	ON-OFF temperature fan control	Anti-freeze electric heaters for water-water machines with gas reversal	ON-OFF fan control in response to compressor

Relays:
configuration
table



TK output:
configuration
table

5.4.3 Alarm

ALL - 12-24 V~ output for *alarm*, maximum current 500 mA.

For models Ech 2xxB the following *parameters* are available:

Pa H56 = determines the polarity of the *alarm* output:

- 0 = output is active (closed contact) when an *alarm* is active and when the machine is switched off.
- 1 = in the same conditions, the contact is open

Pa H57 = determines if the *alarm* is on with the machine on off from *keyboard*, with remote off and on *stand-by*

- 0 = *alarm* output not enabled in OFF or standby
- 1 = *alarm* output enabled in OFF or standby



The power supply to the *alarm* output must be kept separate from the controller power supply.

5.4.4 Fan module pilot output

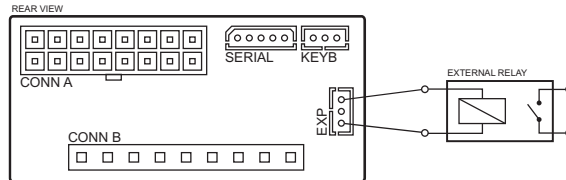
- TC - low voltage output piloting external fan control modules.

5.4.5 Optional output

- EXP – optional internal output with configurable output.

Optional output is NOT available for models Ech 210 and Ech 210B.

For models Ech 211, Ech 211B and Ech 215B the *optional output* is digital type and is open collector for piloting the second compressor's relay:

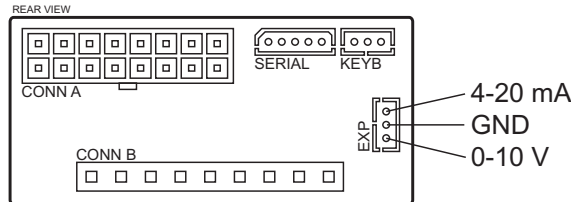


Rear view: rear view of the control module
External relay: external relay

Open collector output

4-20 mA or 0-10 V output

For models Ech 210A and Ech 210BA the *optional output* is ANALOGUE type and can be used for piloting 4-20mA or 0-10V fans (through parameter *Pa H25*)



Rear view: rear view of the control module

Parameter *Pa H25* must be configured to suit the version used, as shown in the table below:

Optional output: configuration table

Pa.	Description	Value		
		0	1	2
<i>Pa H25</i>	<i>Optional output configuration parameter</i>	Open Collector output for compressor 2	Proportional <i>condensation fan control</i> , 4-20 mA	Proportional <i>condensation fan control</i> , 0-10 V

The analogue output value is directly proportionate to the external fan control.

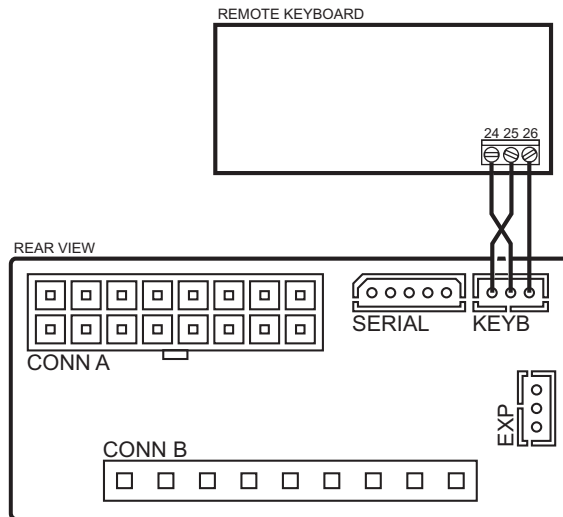
For example: if the external fan control has an output of 50%,

- with *Pa H25*= 1, the 4...20 mA output will have a value of 12 mA (50% calculated on the *range* 4...20), while the 0-10 V output will not be significant.
- with *Pa H25*= 2, the 0-10 V output will have a value of 5 V (50% calculated on the *range* 0...10), while the 4...20 mA output will not be significant.

5.4.6 Remote keyboard output

- KEYB - The *keyboard* output may be used for a *remote keyboard*.

Connect as shown in the diagram below:



REMOTE KEYBOARD: Remote keyboard
REAR VIEW: Rear view
24: blue
25: white
26: black

5.5 Physical quantities and units of measurement

5.5.1 Temperature- or pressure-based operation

Parameter *Pa H49* may be used to select two different types of machine: operated on the basis of temperature or of pressure.

Temperature-based operation

- If *Pa H49*= 0, *parameters Pa H07*=0 (probe AI3 absent), *Pa F01* = 3 are forced (operation in response to a request from the compressor) .
- if *Pa H49*= 1 (*temperature-based operation*), *parameters Pa H07*, *F01* are forced as follows: *H07*= 1 (probe AI3 operating on the basis of temperature), *F01*= 3 (operation in response to a request from the compressor). During *defrosting*, *Pa d08* will be used as the *defrost start* temperature, and *Pa d09* as the *defrost end* temperature.

Pressure-based operation

- if *Pa H49*= 2 (*pressure-based operation*), *parameters Pa H07*, *F01* will be forced as follows: *H07*= 2 (probe AI3 operating on the basis of pressure), *F01*= 0 (proportional operation). During *defrosting* the following *parameters* are used: *Pa d02* as the *defrost start* pressure and *Pa d04* as the *defrost end* pressure.
- If *Pa H49*= 3, there are no constraints on the *parameters*.

Temperature- or pressure-based operation: configuration table

<i>Pa H49</i>	<i>Pa H07</i>	<i>Pa F01</i>
0	0 probe AI3 absent	3 operation in response to a request from the compressor
1	1 probe AI3 temperature	3 operation in response to a request from the compressor
2	2 probe AI3 pressure	0 proportional operation
3	No constraints	No constraints

5.5.2 Units of measurement

Control temperature may be displayed in:

- degrees °C, with decimal point
- degrees °F without decimal point.

Please remember the connection between the two measurement units: °F = °C x 9/5 + 32

The unit of measurement is determined by setting parameter *H52*:

<i>Pa H52</i>	Unit of measurement
0	Degrees °C
1	Degrees °F

5.6 Serial outputs

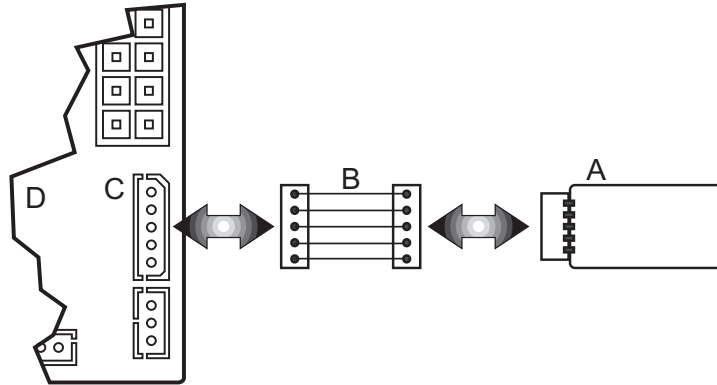
There are 2 asynchronous *outputs* on the control:

- channel for serial communication with a personal computer through an INVENSYS *interface module*
- channel for serial communication with a standard INVENSYS *keyboard*. Power supply 12 VDC (2400, e, 8, 1).

5.6.1 Copy card device

Copy Card is a device that, if connected to the TTL serial port, allows to quickly program the instrument *parameters*. The connection diagram is shown below:

Connection of
Copy Card



Uploading and downloading data is made as follows:

UPLOAD (copy from INSTRUMENT TO *COPY CARD*)

This operation allows to download programming *parameters* to *Copy Card*.

Operations to be performed are:

- Insert the *Copy Card* when the instrument is on
- A password will be requested to perform this operation
- On the *display*, it is shown ---
- Type the password value corresponding to the parameter value *Pa H47*
- Hold down both *keys*
- On uploading, a *display* appears ---
- Disconnect *Copy Card*



Before performing UPLOAD, *Copy Card* is formatted. This operation causes all data entered in the *Copy Card* to be cleared. The formatting operation cannot be cancelled.

DOWNLOAD (copy from *COPY CARD* to INSTRUMENT)

This operation allows to upload programming *parameters* to instrument.

Operations to be performed are:

- Insert the *Copy Card* when the instrument is off
- Turn on the instrument
- Start uploading *parameters* into the instrument
- On uploading, *Occ* appears on the *display*
- If the copy fails, *Err* appears on the *display*
- Turn off the instrument
- Disconnect *Copy Card*
- Turn on the instrument

6 USER INTERFACE

The interface on the front panel of the instrument can be used to carry out all the operations connected to the use of the instrument, and in particular to:

- Set operating mode
- Respond to *alarm* situations
- Check the state of resources

Keyboard



6.1 Keys

mode



Selects operating mode:

- If the *heating* mode is enabled, each time the key is pressed the following sequence occurs: *stand-by* → *cooling* → *heating* → *stand-by*
- if *heating* mode is not enabled: *stand-by* → *cooling* → *stand-by*

In menu mode, this key acts as a *SCROLL UP* or UP key (increasing value).

On-off – Reset alarms



Resets *alarms*, and turns the instrument on and off.

Press once to *reset* all manually *reset alarms* not currently active.

Hold down the key for 2 seconds to turn the instrument from on to off or vice versa. When it is off, only the decimal point remains on the *display*. In menu mode this key acts as a *SCROLL DOWN* or DOWN key (decreasing value)

Mode and on-off combinations



: set

Pressing the “mode” and “on-off” *keys* at the same time.

If you press both *keys* at the same time and then release within 2 seconds, you will move one level deeper in the *display* menu.

If you press both *keys* for more than 2 seconds you will move one level up.

If you are currently viewing the lowest level in the menu and you press both *keys* and release within 2 seconds, you will go up one level.

6.2 Displays

The device can provide information of all kinds on its status, configuration, and *alarms* through a *display* and leds on the front panel.

6.2.1 Display

Normal *display* shows:

- regulation temperature in tenths of degrees celsius with a decimal point, or in degrees fahrenheit without a decimal point.
- the *alarm* code, if at least one *alarm* is active. If multiple *alarms* are active, the one with greater priority will be displayed, according to the *Table of Alarms*.
- If temperature control is not analogue and depends on the status of a digital input (AI1 or AI2 configured as *digital inputs*), the “On” or “Off” *label* will be displayed, depending on whether temperature control is active or not.
- When in menu mode, the *display* depends on the current position. Labels and codes are used to help the user identify the current function.
- Decimal point: when displaying hours of operation, indicates that the value must be multiplied x 100

6.2.2 SET display for air-air machines (for models Ech 2xxB only)

To make easier the *user interface* in air-air versions, if you place parameter *Pa H53* = 1, the set for the selected mode will be displayed; pressing UP e DOWN *keys* on the *remote keyboard* directly modifies the set of the current mode. You cannot directly modify the set in the local *keyboard*.





6.2.3 Led

Led compressor 1.

- ON if compressor 1 is active
- OFF if compressor 1 is off
- **BLINK** if *safety timing* is in progress



Compressor 2 (or capacity step) **led**

- ON if compressor (capacity step) is on
- OFF if compressor (capacity step) is off
- **BLINK** if *safety timing* is in progress



Defrost **led**

- ON if *defrosting* is in progress
- OFF if *defrosting* is disabled or has been completed
- **BLINK** if timing is in progress (defrost interval)



Electrical heater/*boiler led*

- ON if the internal anti-freeze electrical heater or *boiler* is on
- OFF if the internal anti-freeze electrical heater or *boiler* is off



Heating led

- ON if the device is in *heating* mode



Cooling led

- ON if the controller is in *cooling* mode

If neither the **HEATING led** nor the **COOLING led** is on, the controller is in **STAND-BY** mode

6.3 Remote keyboard

The **remote keyboard** on the **display** is an exact copy of the information displayed on the instrument, with the same leds;

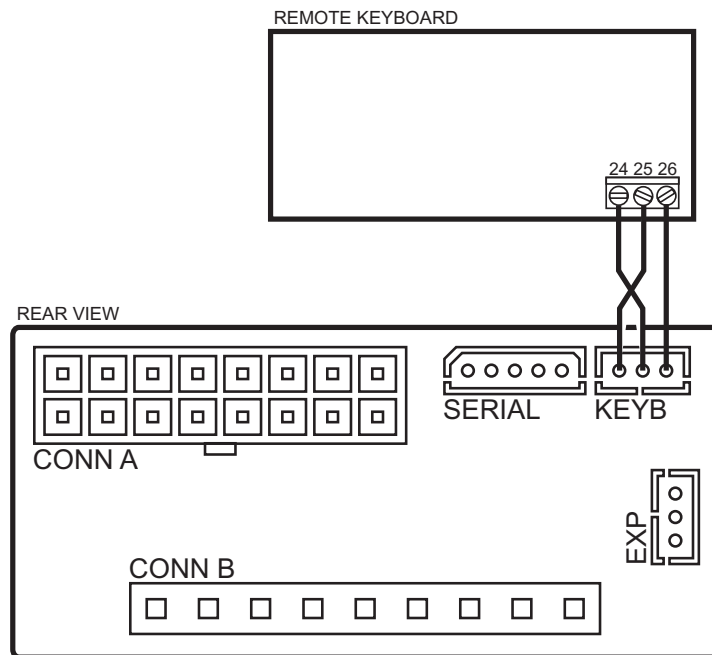
Remote keyboard



It performs exactly the same **functions** as those described in the **display** section.

The only difference is in use of the UP and DOWN **keys** (to increase and decrease value), which are separate from the MODE and ON/OFF **keys**.

Connection with the controller is illustrated below:



REMOTE KEYBOARD: Remote keyboard
 REAR VIEW: rear view of the control module



The terminals of the *remote keyboard* are associated with the following colours:

- 24 → blue
- 25 → red
- 26 → black

Be cautious when connecting these terminals because they are reversed against the connector's terminals.

6.4 Parameter programming – Menu levels

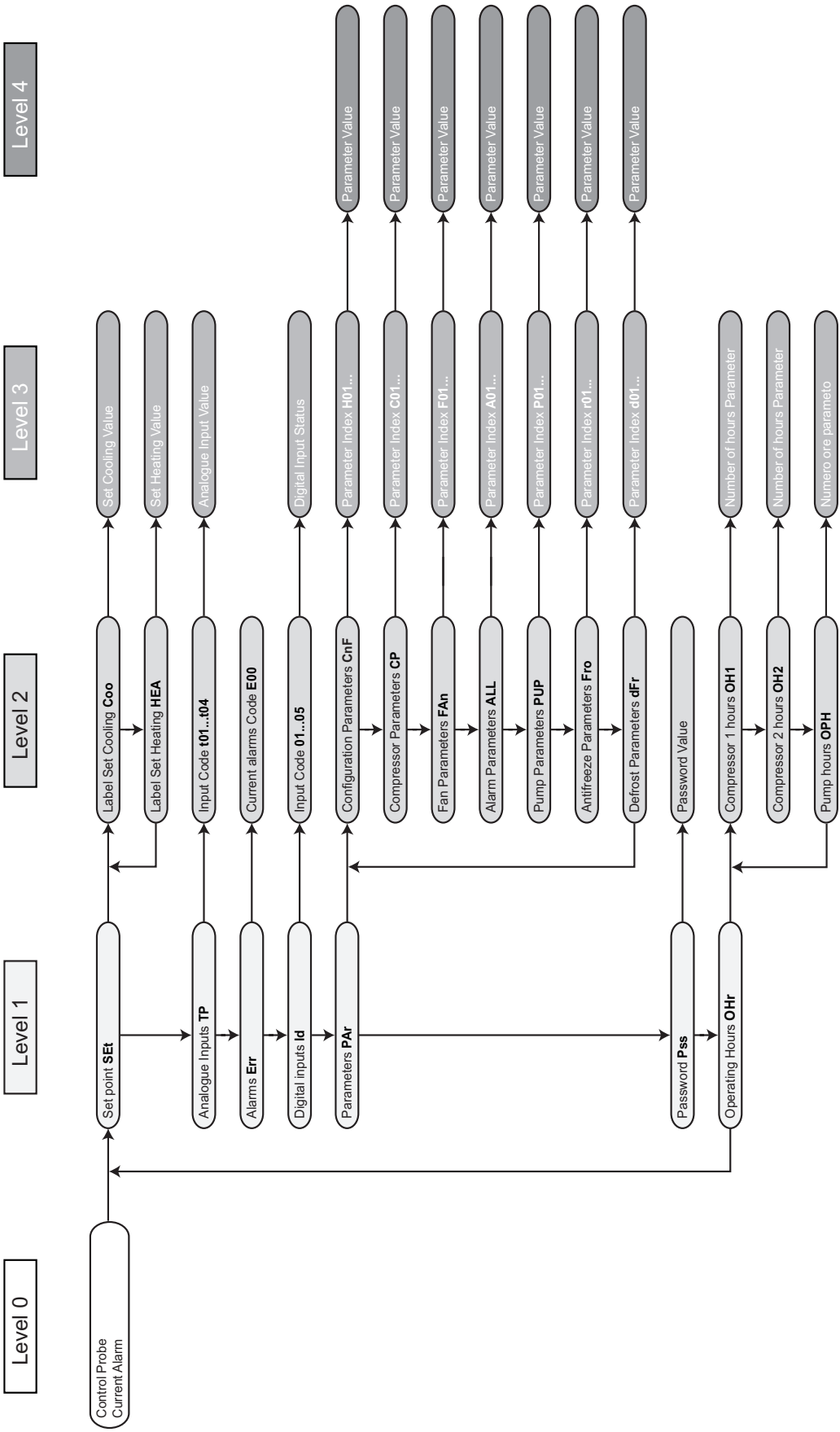
Device *parameters* may be modified using a Personal Computer (with the required software, *interface module* and cables), or using the HyperCodex91 keyboard.

If using the *keyboard*, access to *parameters* is arranged in a hierarchy of levels which may be accessed by pressing the “mode and “on-off” *keys* at the same time (as described above).

Each menu level is identified by a mnemonic code which appears on the *display*.

Menu structure

The structure is set up as shown in the diagram below:



6.4.1 Visibility of parameters and sub-menus

With a personal computer, interface key (*copy card*), suitable cables and the “*Param Manager*” software, it is possible to restrict the visibility and modification of *parameters* and entire submenus.

A “visibility value” may be assigned to each parameter, as described below:

Label

Value	Meaning
0003	Parameter or <i>label</i> visible at all times
0258	Parameter or <i>label</i> visible if user password entered correctly (password = <i>Pa H46</i>)
0770	Parameter or <i>label</i> visible if user password entered correctly (password = <i>Pa H46</i>). Parameter cannot be modified.
0768	Parameter visible from PC only.

Some visibility settings are factory set.

For more information, please refer to the “*Param Manager*” instructions.

7 SYSTEM CONFIGURATION

In this section we will look at how to configure *parameters* for various *loads* on the basis of the type of *installation* to be controlled.

7.1 Compressors

Ech 200 can control systems consisting of one *cooling* circuit with 1 or 2 *compressors*.

If there is a capacity step, it will be considered as a compressor.

Each compressor is piloted by a device relay.

Compressors will be turned on or off depending on the temperatures detected and the *temperature control functions* that have been set (refer to the section on Compressor controls – regulation algorithm)

7.1.1 Compressor configuration

Power step

The first compressor must be connected to output NO1;

The second compressor, if there is one, must be connected to output NO3, with the following parameter settings:

- *Pa H48*=2 (2 *compressors* per circuit)
- *Pa H23*=2 (output NO3 configured as compressor/capacity step) or *Pa H25*=0 (*open collector output* for the second compressor/capacity step).

If the *open collector output* is used, an external relay will be required for compressor management.

Polarity NO3



If NO3 is configured as a second compressor/capacity step output, polarity may be selected using the parameter *Pa H51*, polarity of compressor 2/ capacity step output (on relay 3 only).

- 0= relay ON if compressor 2/ capacity step ON,
- 1= relay ON if compressor 2/ capacity step OFF.

The polarity of NO1 is unvariable:

- relay ON if compressor 1/ capacity step ON

7.1.2 Compressor on/off sequence

The order in which the *compressors* come on may be modified using parameter *Pa H50*, compressor on sequence:

- *Pa H50*=0 *compressors* come on depending on the number of hours of operation (balancing hours of operation)
- *Pa H50*=1 compressor 1 is turned on first, followed by compressor (or capacity step) 2 (unvaried sequence).

Balancing hours of operation

If *Pa H50*= 0, the compressor with the least hours of operation comes on first, unless it is subject to: a current compressor shutdown *alarm* (refer to *table of alarms*) *safety timing* in progress.

If *Pa H50*= 0, the compressor with the most hours of operation is turned off first.

Unvaried sequence

If *Pa H50*=1:

compressor 2 (capacity step) is turned on only if compressor 1 is already on.

compressor 1 is turned off only if compressor 2 (capacity step) is already off. If there is a compressor 1 shutdown *alarm*, compressor 2 will be turned off immediately.

7.1.3 Compressor timing

Safety timing

The turning on and off of *compressors* must comply with safety times which may be set by the user using the *parameters* specified below:

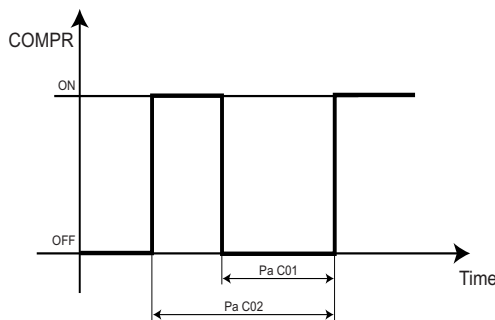
Off-on timing

There is a safety interval between the time a compressor goes off and the time the same compressor comes back on (compressor on...off safety time, controlled by parameter *Pa C01*); This interval of time must elapse when the "Ech 200" is turned on.

On-on timing

There is a safety interval between the time a compressor is turned on and the time it is turned on again (compressor on...on safety time, controlled by parameter *Pa C02*).

Off-on and on-on comp. diagram

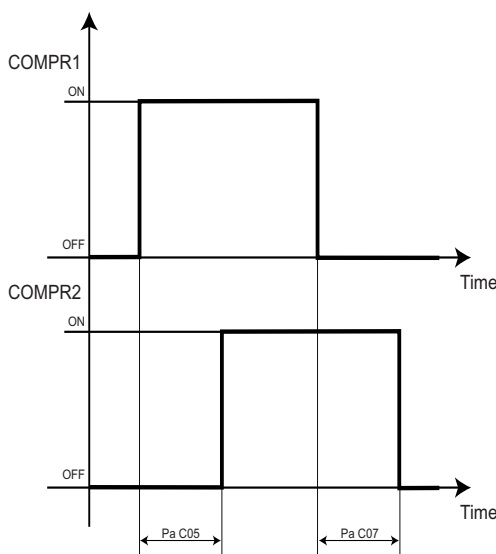


COMPR: compressor	Time: seconds x 10
<i>Pa C01</i> : ON-OFF safety time	<i>Pa C02</i> : ON-ON safety time

On-on and off-off diagram for 2 comp.

If the system includes 2 compressors (or capacity steps) there are intervals of time which must pass between turning on of the 2 compressors (Pa C06) and turning off of the 2 compressors (Pa C07). An amount of time determined by parameter Pa D11 (compressor on delay during defrosting) must pass between turning on a compressor and a capacity step. The off time interval between compressors is not applied in the event of a compressor shutdown alarm, in which case they stop immediately.

On-on and off-off diagram for 2 comp.



COMPR1: compressor 1
COMPR2: compressor 2
Time: time in seconds
Pa C05: on time interval between compressors
Pa C07: off time interval between compressors

7.2 Condensation fan

Various fan piloting modules can be connected to “Ech 200”, based on the models available. Look at the following table:

	TK	TC	4-20mA	0-10V
Ech 210	*	*		
Ech 210A			*	*
Ech 211	*	*		

Legend:

- TK: 230V~/2A command
- TC: control signal for fan control modules (500w,1500w,2200w)
- 4-20mA o 0-10V: standard command for fan control through external module (inverter).
- On model Ech 210, the fan may be controlled with a proportionate output with a maximum load of 2A.
- On model Ech 211, only the ON/OFF command is available for remote control (500 mA max)



7.2.1 Fan configuration

The reference is to the fan control unit located outside near the heat exchanger which normally acts as a condenser. If a heat pump is used, the exchanger will operate as an evaporator.

First of all, connect the fan up correctly to the appropriate output (refer to connection diagrams).

The fan output may be configured to work proportionately or as ON-OFF.

Pa F01 – Selection of triac output mode (TK and TC):

- 0= proportional fan output (TK)
- 1= ON-OFF fan output; in this mode the fan will be off if the proportional control has an output of 0, on at maximum speed (no capacity step) if control output is greater than 0.
- 2= external anti-freeze electrical heater control, for water-water machines with gas reversal
- 3= fan command for ON-OFF operation in response to compressor request. In this mode the fan is turned off and on depending on compressor status.

The fan may also be controlled by the output associated with the optional board:

Pa H25 – configuration of optional board:

- 0= Open Collector output for second compressor
- 1= 4...20 mA fan speed output

- 2= 0-10 V fan speed output

If the output is configured as proportional TK the *PICK-UP*, *PHASE SHIFT* and *IMPULSE DURATION parameters* are also significant.

Pick-up Every time the external fan is started up, power is supplied to the exchanger fan at maximum voltage, and the fan operates at maximum speed, for an amount of time equal to *Pa F02* seconds; after this time the fan operates at the speed set by the regulator.

Pa F02 = Fan *pick-up* time (seconds)

Phase shift Determines a delay during which it is possible to compensate the different electrical characteristics of the fan drive motors:

Pa F03 = duration of fan *phase shift*, expressed in microseconds x 200.

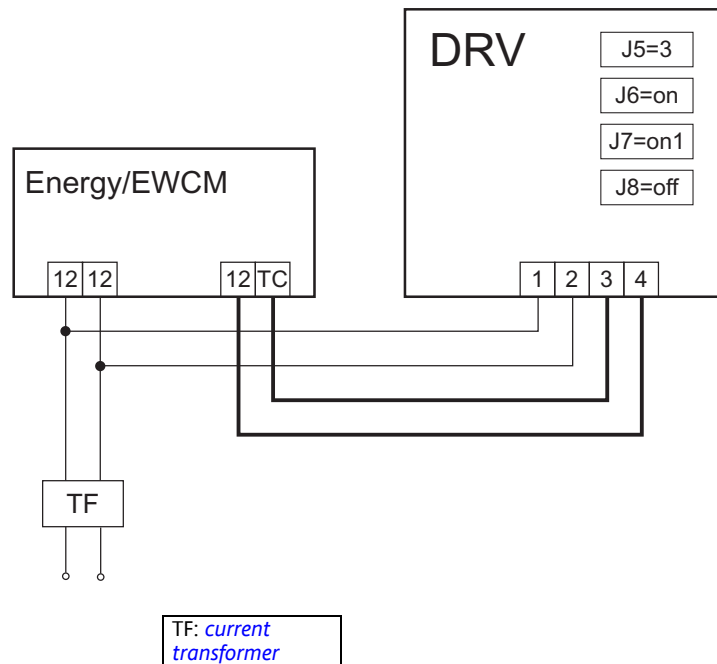
Impulse duration Determines the duration of the TK output piloting impulse in microseconds x 200

Pa F04= *triac* piloting *impulse duration*

7.2.2 DRV module

If a DRV three-phase fan module is used, follow the diagram below:

Connection diagram of the DRV module



7.3 Reversing valve

The *reversing valve* is used only when operating in “heat pump” mode.

It is active if:

- relay 3 *configuration parameter Pa H23*= 0.
- heat pump is enabled, *Pa H28*= 1.

The *reversing valve* is off if the instrument is OFF or on *stand-by*.

Polarity Polarity may be configured using the following parameter:

Pa H38= *Reversing valve* polarity

- 0: relay active in cool mode
- 1: relay active in heat mode

In *cooling* mode the *reversing valve* is never active.

7.4 Hydraulic pump

The *hydraulic pump* must be connected to the output of relay NO2 (refer to connection diagram).

It is active only if the corresponding parameter, *Pa H22*, is set to 0.

The pump may be configured to function in three different ways using parameter *Pa P01*:

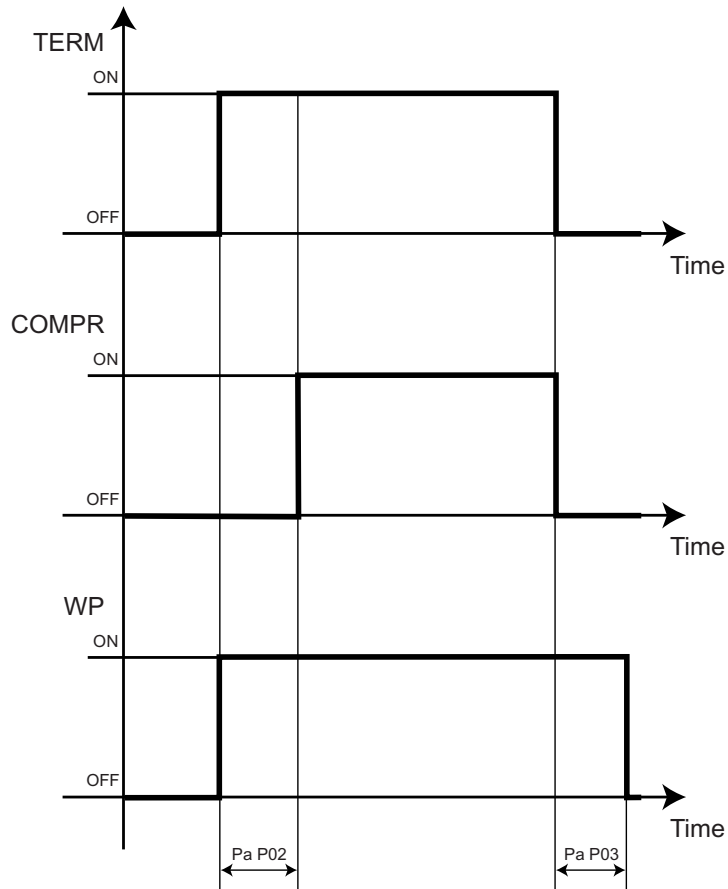
- *Pa P01* = 0 : continuous operation
- *Pa P01* = 1 : operation when called up by regulation algorithm (compressor)
- *Pa P01* = 2 : *cyclic operation*

Continuous operation CONTINUOUS OPERATION:
Pump is on at all times.

Operation in response to request

OPERATION IN RESPONSE TO REQUEST:

- The pump comes on in response to a request from the regulation algorithm.
- The compressor comes on following a delay (*Pa P02*) after the time the pump comes on.
- The pump goes off following a delay (*Pa P03*) after the regulation algorithm has OFF status.
- During *defrosting*, when the compressor is OFF, the pump stays on.



TERM: regulation algorithm	COMPR: compressor
WP: pump	Time: time in seconds
<i>Pa P02</i> : delay compressor-pump off	<i>Pa P03</i> : delay pump-compressor on

Cyclic operation

CYCLIC OPERATION:

The pump is turned on and off independently of the regulation algorithm. It operates for constant intervals of time, as described below:

- the pump stays on for an amount of time equal to *Pa P02* (seconds*10),
- the pump is then turned off and stays off for an amount of time equal to *Pa P03* (seconds*10).



The pump is turned off if:

- there is an *alarm* compoing pump shutdown, such as a manually *reset* flow switch *alarm*
- the instrument is on *stand-by* or OFF



When there is a current flow switch *alarm* with **automatic resetting** (refer to *table of alarms*), the pump will remain on even if the compressor is OFF due to the *alarm*..

7.5 Internal anti-freeze/supplementary electrical heaters

Anti-freeze/supplementary heaters are connected up to relay output NO4 (refer to connection diagram). They are active only if the corresponding parameter, *Pa H24*, is set to 0.

If the output is configured this way, it will command the electrical heaters to come on and go off in accordance with the electrical heater *configuration parameters*, *r01...r06*, as described in the table below:

configuration

Pa.	Description	Value	
		0	1
<i>Pa r01</i>	Defrost configuration	comes on only when requested by control	Always on during defrost
<i>Pa r02</i>	<i>Cooling</i> mode configuration	off during <i>cooling</i>	On during <i>cooling</i> (depending on anti-freeze electrical heater control)

Pa r03	Heating mode configuration	off during <i>heating</i>	On during <i>heating</i> (depending on anti-freeze electrical heater control)
Pa r04	Configuration of electrical heater control probe in <i>heating</i> mode	controlled on the basis of AI1 (refer to <i>connection diagrams</i>) if Pa H05 (config. AI1)= 1 otherwise off	Controlled on the basis of AI2 (refer to <i>connection diagrams</i>) if Pa H06 (config. AI2)= 1 otherwise off
Pa r05	Configuration of control probe in <i>cooling</i> mode	controlled on the basis of AI1 (refer to <i>connection diagrams</i>) if Pa H05 (config. AI1)= 1 otherwise off	Controlled on the basis of AI2 (refer to <i>connection diagrams</i>) if Pa H06 (config. AI2)= 1 Otherwise off
Pa r06	Configuration when OFF or on <i>stand-by</i>	Off when instrument is OFF or on <i>stand-by</i>	On when instrument is OFF or on <i>stand-by</i>

7.5.1 Supplementary electrical heaters

If **Pa r15** =1 electrical heaters become anti-freeze/*supplementary electrical heaters*. Their operating mode is described in the paragraph on the *supplementary electrical heater control*

7.6 External anti-freeze electrical heaters

External anti-freeze electrical heaters are used on water-water machines with gas reversal. They are connected to the *triac* TK output (refer to connection diagram) and controlled on the basis of probe AI3 (refer to *analogue inputs*) .

They are active only if:

- output TK is configured for anti-freeze electrical heaters, on a water-water machine with gas reversal (**Pa F01**= 2)
- AI3 is configured as an NTC anti-freeze input on a water-water machine with gas reversal (**Pa H07**= 4)

7.7 Boiler

The output for *boiler controller* is relay NO4 (refer to connection diagram) with a suitable configuration.

The *boiler* output may operate in two different ways:

- to supplement another *heating* resource
- to provide *heating* with *boiler* only.

SUPPLEMENTARY BOILER:

The output is active if:

- relay 4 *configuration parameter*, **Pa H24**= 2.
- heat pump is declared present, **Pa H28**= 1.
- AI4 is configured as an outdoor probe, **Pa H08**= 3.

HEATING BOILER:

The output is active if:

relay 4 *configuration parameter*, **Pa H24**= 2.
heat pump is declared not present (**H28**= 0)

The *boiler* is turned off if:

- the device is operating in *cooling* mode
- the device is on *stand-by* or OFF
- there is a *boiler* shutdown *alarm* (refer to *table of alarms*)

7.8 Internal fan

Outputs NO2, NO3, NO4 (refer to connection diagram) may be used for the *internal fan*, depending on the “fan control step” to be used.

1 fan control step

The *internal fan* output is active **only if**:

- relay 2 *configuration parameter* **Pa H22**= 1.

2 fan control steps

2 fan control steps are active if:

- relay NO2 *configuration parameter* **Pa H22**= 1.
- relay NO4 *configuration parameter* **Pa H24**= 1

3 fan control steps

3 fan control steps are active if:

- relay NO2 *configuration parameter* **Pa H22**= 1.
- relay NO4 *configuration parameter* **Pa H24**= 1
- relay NO3 *configuration parameter* **Pa H23**= 1

8 TEMPERATURE CONTROL FUNCTIONS

Once Ech 200 has been configured, *loads* may be controlled on the basis of temperature and pressure conditions detected by probes and *temperature control functions* which may be defined using the appropriate *parameters*.

Operating modes

There are 4 possible *operating modes*:

- *cooling*
- *heating*
- *stand-by*
- off

Cooling

Cooling: this is the “summer” operating mode; the machine is configured for *cooling*.

Heating

Heating: this is the “winter” operating mode; the machine is configured for *heating*

Stand-by

Stand-by: the machine does not govern any temperature control function; it continues to signal *alarms*

Device off

Off: the machine is turned off.

The operating mode is determined by settings entered on the *keyboard* and by the following

Parameters:

- Operating mode parameter (Pa H27)
- Heat pump parameter (*Pa H28*)
- *Configuration parameter* AI1 (Pa H05) (refer to *Analogue inputs: configuration table*)
- *Configuration parameter* AI2 (Pa H06) (refer to *Analogue inputs: configuration table*)

Operating mode selection parameter (Pa H27)

- 0= Selection from *keyboard*
- 1= Selection from digital input (refer to *digital inputs*)
- 2= Selection from analogue input (probe AI4)

Heat pump parameter (*Pa H10*)

- 0 = Heat pump not present
- 1= Heat pump present



Heating mode is permitted only if:

- heat pump is present (*Pa H28*= 1) or
- relay NO4 is configured as *boiler* output (*Pa H24*= 2).

Operating modes: configuration table

Combinations of these *parameters* will generate the following rules:

Operating mode	Mode selection parameter <i>Pa H27</i>	<i>Configuration parameter</i> AI1 <i>Pa H05</i>	<i>Configuration parameter</i> AI2 <i>Pa H06</i>
Mode selection from <i>keyboard</i>	0	Other than 2	Other than 2
Mode selection from digital input.	1	Other than 2	Other than 2
If input AI1 is on, operating mode is <i>heating</i> ; if not, <i>stand-by</i>	Any	2	Other than 2
If input AI2 is on, operating mode is <i>cooling</i> ; if not, <i>stand-by</i>	Any	Other than 2	2
If input AI1 is on, operating mode is <i>heating</i> ; if AI2 is on, operating mode is <i>cooling</i> ; if AI1 and AI2 are both on, there is a configuration error; if neither is on, operating mode is <i>stand-by</i>	Any	2	2

8.1 Selection of operating mode from analogue input

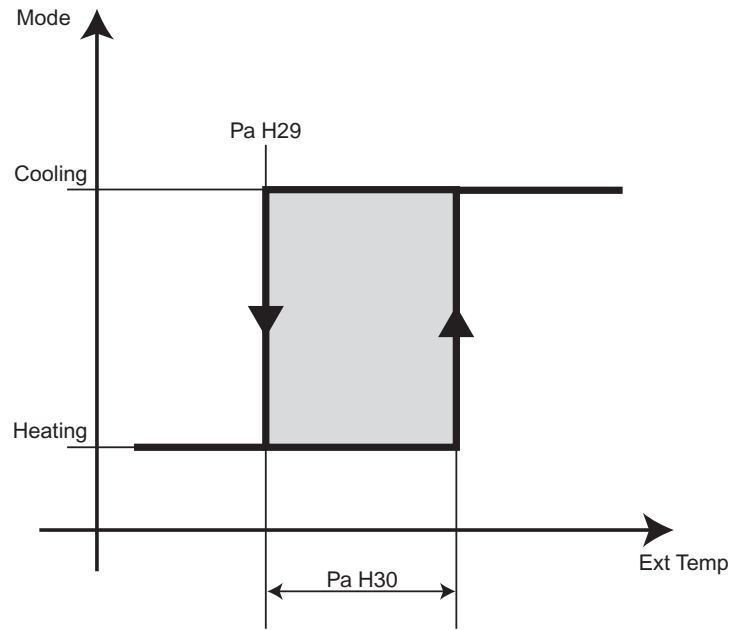
The controller permits selection of operating mode on the basis of the temperature detected and supplied by input AI4 (refer to *analogue inputs*).

This is permitted if both of the following conditions apply:

- probe AI4 is configured as an outdoor temperature probe (*Pa H08*= 3)
- mode selection parameter *Pa H27*= 2
- In this case mode is selected automatically, on the basis of the following regulation algorithm *parameters*:
- *Heating* mode *set point Pa H29*
- Mode selection differential *Pa H30*.

Diagram

An example of operation is shown in the diagram below:



<i>Pa H29</i> : Heating mode set point
<i>Pa H30</i> : Mode selection differential
Ext temp: outdoor temperature

Mode may be changed from the *keyboard* for temperatures which fall within the mode selection differential (determined by parameter H30).

If this is not done:

- If the outdoor temperature is less than **H29**, the instrument will operate in *heating* mode.
- If the outdoor temperature is more than **Pa H29 + Pa H30**, the instrument will operate in *cooling* mode.

8.2 Setting set points

Loads are turned on and off dynamically on the basis of *temperature control functions*, temperature/pressure values detected by probes, and *set points*.

There are two *set point* values:

- *Cooling set point*: this is the referenced *set point* when the device is in *cooling* mode
- *Heating set point*: this is the referenced *set point* when the device is in *heating* mode

Set points may be modified using the *keyboard*, by accessing the "SET" sub-menu (refer to *menu structure*).

They may be given values within a *range* determined by *parameters Pa H02 – Pa H01* (*Heating*) and *Pa H04 – Pa H03* (*Cooling*).

8.3 Dynamic set point

The regulation algorithm may be used to modify the *set point* automatically on the basis of outdoor conditions.

This modification is achieved by adding a positive or negative offset value to the *set point*, depending on:

- 4-20 mA analogue input (proportionate to a signal set by the user)
- or
- temperature of outdoor probe



This function has two purposes: to save energy, or to operate the machine under particularly harsh outdoor temperature conditions.

The *dynamic set point* is active if:

- Activation parameter *Pa H31* = 1
- probe AI3 (*analogue inputs*) is configured as a current input for a *dynamic set point* (*Pa H07* = 3) or probe AI4 (*analogue inputs*) is configured as an outdoor temperature probe (*Pa H08* = 3)

Control parameters

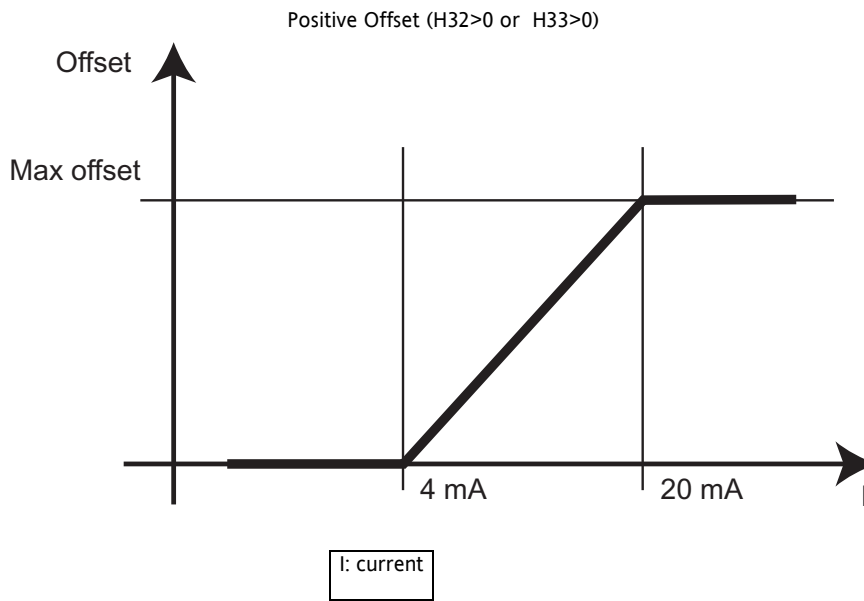
Dynamic set point control *parameters*:

- *Pa H32*= Max. offset during *cooling*.
- *Pa H33*= Max. offset during *heating*
- *Pa H34*= Outdoor temperature *set point* during *cooling*
- *Pa H35*= Outdoor temperature *set point* during *heating*
- *Pa H36*= Delta of *cooling* temperature

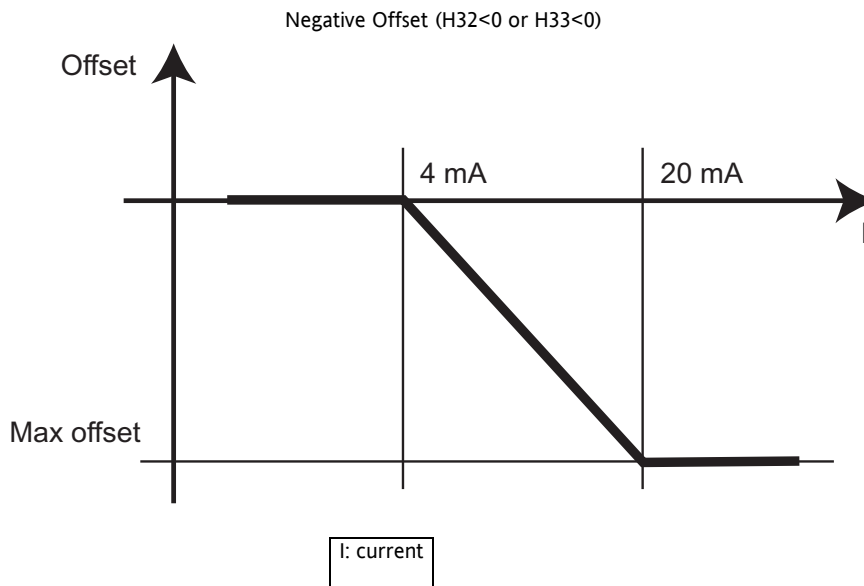
- *Pa H37* = Delta of *heating* temperature

The interaction of these *parameters* is illustrated in the graphs below:

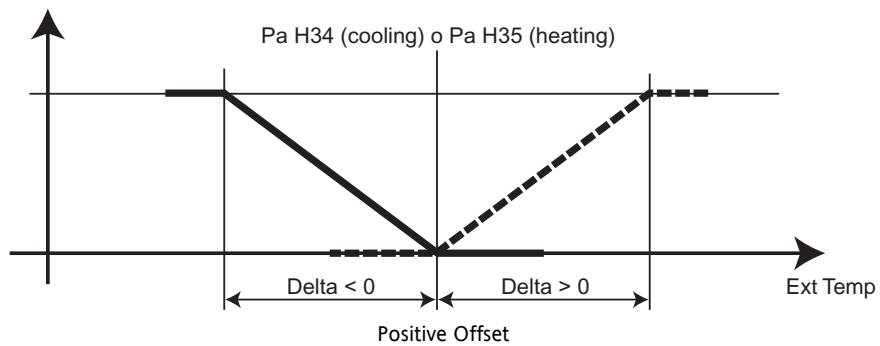
Modification depending on current input with positive offset



Modification depending on current input with negative offset

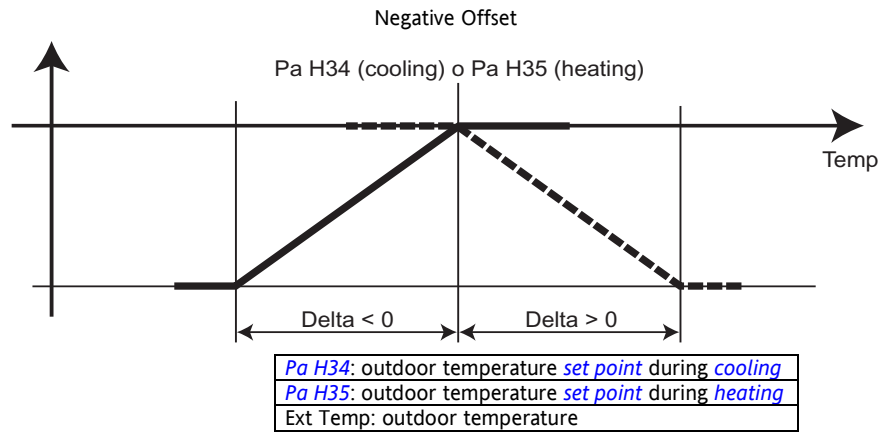


Modification depending on outdoor temperature with positive offset



<i>Pa H34</i> : outdoor temperature <i>set point</i> during <i>cooling</i>
<i>Pa H35</i> : outdoor temperature <i>set point</i> during <i>heating</i>
Ext Temp: outdoor temperature

Modification depending on outdoor temperature with negative offset



8.4 Differential temperature control

This function may be used to control temperature according to both AI1 and AI4. The function is active if:

- AI1 is configured as a differential NTC input (**Pa H05**= 4) (refer to *analogue inputs*)
- AI4 is configured as an outdoor temperature input (**Pa H08**= 3) (refer to *analogue inputs*)

In this case, the controller will not control on the basis of AI1, but on the basis of the difference between AI1-AI4.

If the AI3 *configuration parameter Pa H07* = 5 (*heating* control for water-water machines with water reversal), the controller will always control on the basis of AI3.

Differential temperature control can be used, for instance, to maintain a fluid (in *heating* or *cooling* mode) at the temperature of the outdoor environment plus a constant differential (positive or negative) determined by the user.

8.5 Switching from digital input

Digital inputs ID3, ID4, ID5 and AI4 (*analogue inputs*) may be configured to give an ON-OFF command. If this type of input is activated, the instrument will turn off all *loads* and show "E00" on the *display*.

8.6 Load control

The *parameters* used to control *loads* on the basis of the temperature/pressure conditions detected by the probes are described below.

8.6.1 Compressor control – regulation algorithm

The regulation algorithm calculates the load to be supplied through the *compressors* for both *heating* and *cooling*.

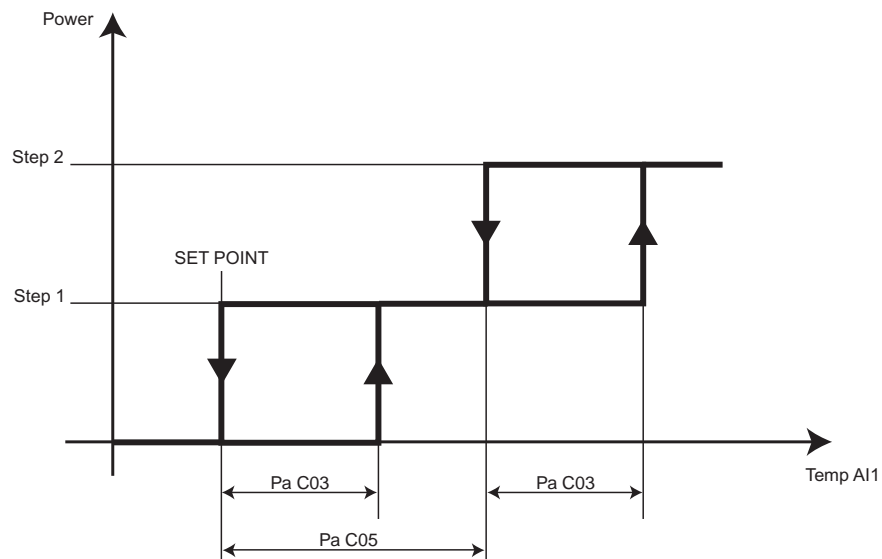
REGULATION ALGORITHM IN COOL MODE

If probe AI2 (*analogue inputs*) is not configured as a digital input for requests for *cooling* (**Pa H06**=2) or probe AI1 (*analogue inputs*) as a digital input for regulation algorithm requests (**Pa H05**=3), compressor management will depend on environment temperature and a *SET POINT* which may be entered using the *keyboard*.

- **AI1** = temperature of inlet water or inlet air
- **SET COOL**= *cooling set point* set from *keyboard*
- **Pa C03** = *hysteresis* of *cooling* thermostat
- **Pa C05** = delta of *power step* intervention

Regulation algorithm in cool mode

Cooling diagram



Power: power
Step 1: Step 1
Step 2: Step 2
Temp AI1: temperature from probe linked in AI1
<i>Pa C03</i> : hysteresis of <i>cooling</i> thermostat
<i>Pa C05</i> : Power algorithm step intervention differential

If *Pa H05*= 3, the compressor will be turned off and on depending on the status of input AI1.
 If *Pa H06*= 2, the compressor will be turned off and on depending on the status of input AI2.
 If a digital input is configured as a second step request (**H18** or **H19** or **H20** or **H21**= 6), the response will depend on this input. This function is active only if *Pa H05*= 3 or *Pa H06*= 2.

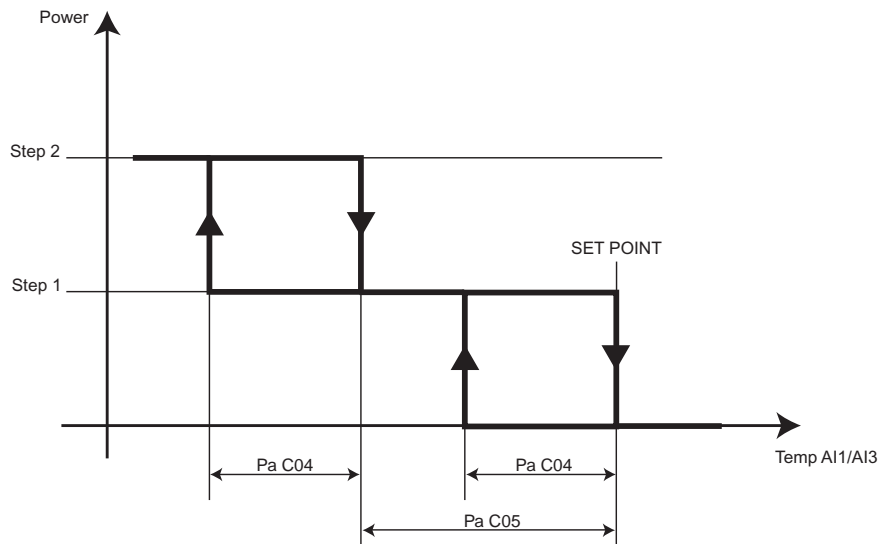
Regulation algorithm in heat mode

REGULATION ALGORITHM IN HEAT MODE

If probe AI1 (*analogue inputs*) is not configured as a digital input for requests for heat (*Pa H05*=2) or as a digital input for regulation algorithm requests (*Pa H05*=3), compressor management will depend on:

- temperature AI3 (*analogue inputs*), if *configuration parameter* ST3 *Pa H07*= 5 (for water-water machines with water reversal)
 - otherwise, temperature AI1 (*analogue inputs*)
 - a *HEATING SET POINT* which may be set from the *keyboard*
- **AI1** = temperature of inlet water or inlet air
 - **SET HEATING**= *Heating set point* set using the *keyboard*
 - *Pa C04* = *hysteresis* of *heating* thermostat
 - *Pa C05* = Delta of step intervention

Heating diagram



Power: power	Step 1: Step 1
Step 2: Step 2	Temp AI1/AI3: temperature from probe linked in AI1 or in AI3
<i>Pa C04</i> : hysteresis of <i>heating</i> thermostat	<i>Pa C05</i> : Power algorithm step intervention differential

If *Pa H05*= 2 or 3, the compressor will be turned off and on depending on the status of input AI1.
 If a digital input is configured as a second step request (*Pa H18* or *Pa H19* or *Pa H20* or *Pa H21*= 6), the response depends on this input. This function is active only if *Pa H05*= 2 or 3.



A compressor will always be off if:

- It is not associated with a relay (power *outputs*)
- The compressor has been shut down (refer to *table of alarms*)
- *Safety timing* is in progress
- The *boiler* is on
- The time lapse between pump on and compressor on is in progress (*safety timing*)
- Preventilation is in progress in *cooling* mode
- Ech 200 is on *stand-by* or off
- The parameter for configuration of probe AI1 *Pa H05* = 0 (probe absent)

8.6.2 Condensation fan control

Condensation control depends on the condensation temperature or pressure for the circuit.

Fan control will be on if:

- at least one probe per circuit is configured as a condensation probe (pressure or temperature); if not, the fan for the circuit will come ON and go OFF in response to the circuit *compressors*.

Fan control may be independent of the compressor, or it may be carried out in response to requests from HyperCodex 152 compressors;
 Operating mode is determined by parameter *Pa F05*:

	Value	
	0	1
Pa F05: fan output mode	if compressor is off, fan is off	condensation control independent of compressor

When the compressor is started up, if the proportional control requests fan *cut-off*, the *cut-off* may be excluded for an amount of time equal to **Pa F12** beginning when the compressor is turned on. If the controller requests *cut-off* during this time period, the fan will run at minimum speed.

Silent speed

The fan control unit may have a minimum speed, a maximum speed, and a “silent” speed (for silent operation, for instance during the night), as well as a proportional band within these values.



The fan will always be off if:

- there is an *alarm* indicating that a *condensation fan* has shut down (refer to *table of alarms*).
- Ech 200 is on *stand-by* or off

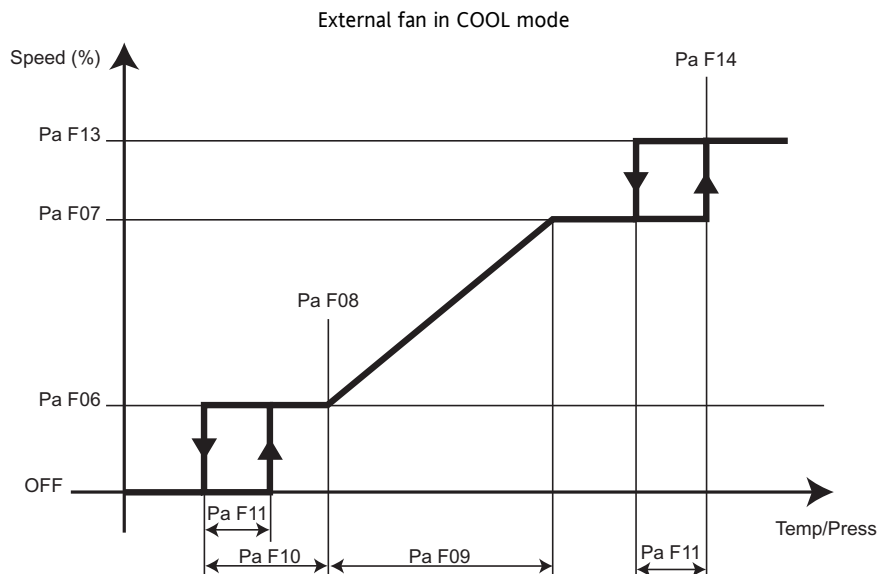
Cool mode

CONDENSATION FAN CONTROL IN COOL MODE

- **Pa F06** = Minimum fan speed in COOL mode;
- **Pa F07** = Maximum silent fan speed in COOL mode
- **Pa F08** = Minimum fan speed temperature/pressure *set point* in COOL mode
- **Pa F09** = Prop band. Fan in COOL mode;
- **Pa F10** = Fan *cut-off* delta;
- **Pa F11** = *Cut-off hysteresis*;
- **Pa F13** = Maximum fan speed in COOL mode
- **Pa F14** = Maximum fan speed temperature/pressure *set point* in COOL mode

An example of interaction of these *parameters* is shown in the figure below:

Fan control in cool mode: diagram



Speed: fan speed	Temp: temperature
Press: pressure	

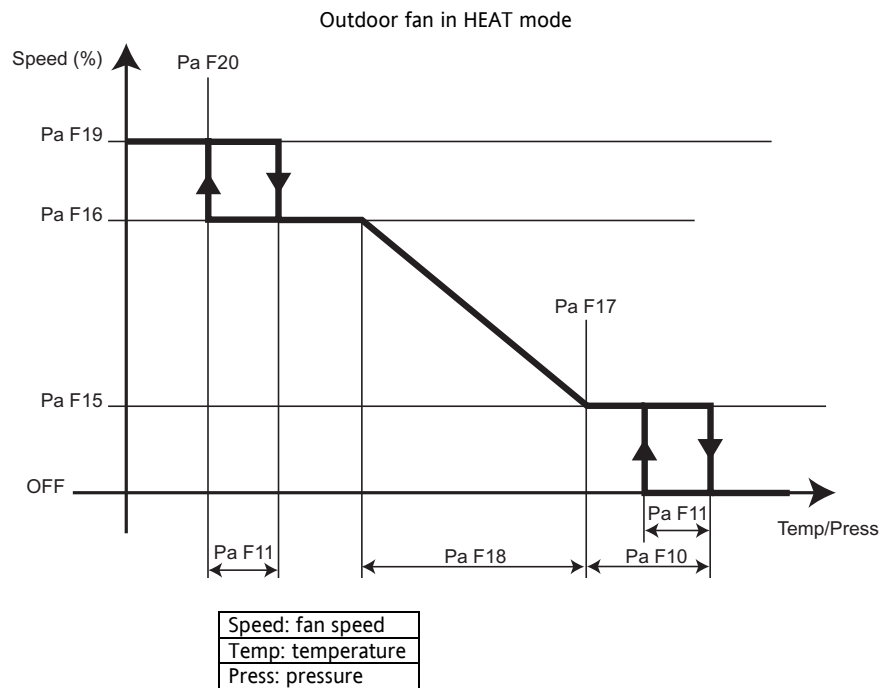
Heat mode

CONDENSATION FAN CONTROL IN HEAT MODE

- **Pa F15** = Minimum fan speed in HEAT mode;
- **Pa F16** = Maximum silent fan speed in HEAT mode;
- **Pa F17** = Minimum fan speed temperature/pressure *set point* in HEAT mode;
- **Pa F09** = Prop band. Fan in HEAT mode
- **Pa F10** = Fan *cut-off* delta;
- **Pa F11** = *Cut-off hysteresis*;
- **Pa F19** = Maximum fan speed in HEAT mode;
- **Pa F20** = Maximum fan speed temperature/pressure *set point* in HEAT mode.

An example of interaction of these *parameters* is shown in the figure below:

Fan control in heat mode: diagram



Control is not active if:

- *defrosting* is in progress
- the *boiler* is on

8.6.3 Reversing valve control

Refer to section on *reversing valves*.

8.6.4 Hydraulic pump control

Refer to section on the *hydraulic pump*.

8.6.5 Anti-freeze/supplementary electrical heater control

Electrical heater control employs two separate *set points*, one for *heating* mode and one for *cooling* mode:

- *Pa r07*: electrical heater 1 *set point* in *heating* mode
- *Pa r08*: electrical heater 1 *set point* 1 in *cooling* mode

The two *set points* of the anti-freeze electrical heaters fall between minimum and maximum values which the user may set using the following *parameters*:

- *Pa r09*: maximum *set point* of anti-freeze electrical heaters
- *Pa r10*: minimum *set point* of anti-freeze electrical heaters



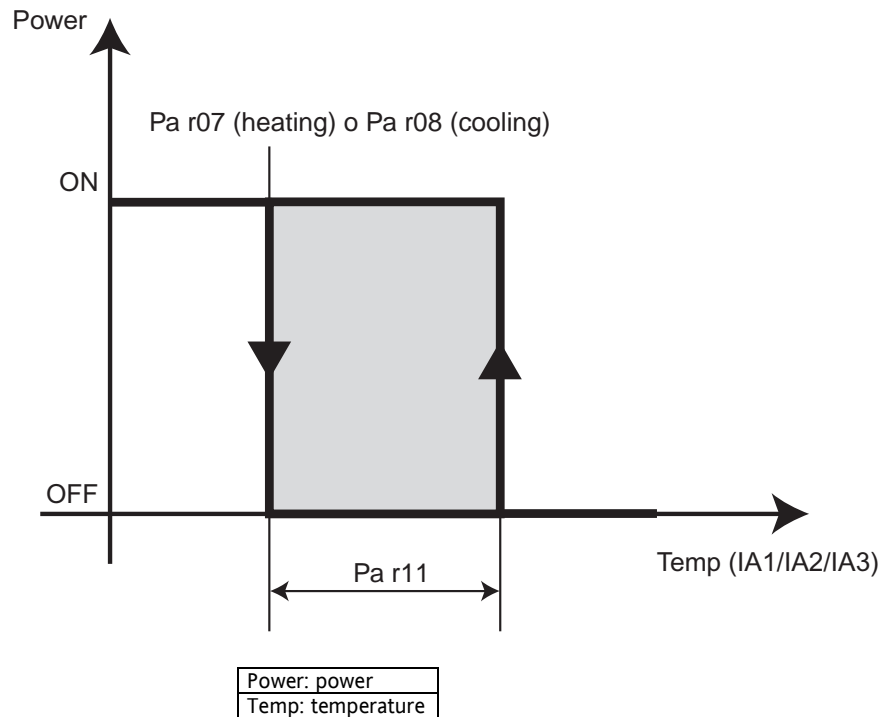
When off or on *stand-by*, control is based on the *cooling set point*, using the control probe used in the *heating* mode.

Parameter *Pa R11* determines the hysteresis around the *set points* for the anti-freeze/*supplementary electrical heaters*.

An example of operation is shown in the diagram below:

Diagram

Diagram illustrating *anti-freeze/supplementary electrical heater control*



8.6.6 External anti-freeze electrical heater control

Control is based on probe AI3 with a *set point* which may be set using parameter *Pa r12* and a *hysteresis* of *Pa r11*. Control is similar to that of internal electrical heaters.

8.6.7 Supplementary electrical heater control

If *Pa r15*=1 in heat mode, electrical heaters are activated on their control, and are activated even if $AI1 < (SET\ Heating\ Pa\ r14)$.

Control *hysteresis* is *Pa C04* (*hysteresis* of *heating* control).

8.6.8 Boiler control

SUPPLEMENTARY BOILER:

The *boiler* is turned on in *heating* mode if outdoor temperature drops below *Pa r13*.

In this case the compressor and fan are turned off and *heating* is achieved using only the *boiler*.

The heat pump is turned back on if the outdoor temperature exceeds $Pa\ r14 + Pa\ r13$.

If the *boiler* is working, temperature control is achieved using the *boiler* output; control is similar to compressor control in *HEATING* mode.

BOILER IN HEATING MODE:

Temperature control in *heating* is achieved using the *boiler* output, and is similar to compressor control in *heating* mode; The compressor and the external fan are turned off.

The *boiler* is turned off if:

- in *cooling* mode
- on *stand-by* or OFF
- there is a *boiler* shutdown *alarm* (refer to *table of alarms*)

8.6.9 Internal fan control

INTERNAL FAN IN COOLING MODE:

The *internal fan* is turned off if:

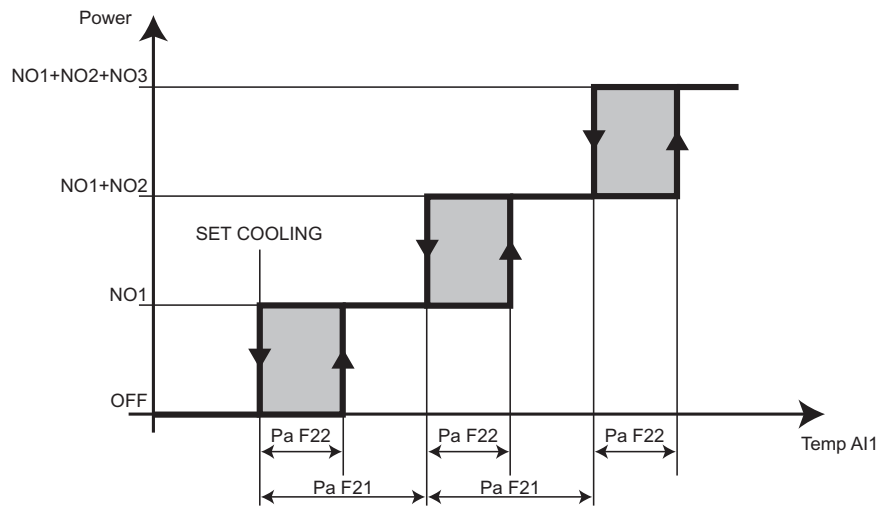
- probe AI1 *configuration parameter Pa H05* $\neq 1$
- there is a circuit shutdown *alarm*
- the instrument is OFF or on *stand-by*.

It is turned on at a speed depending on the difference between temperature AI1 and the *COOLING set point*. *Parameters*:

- *Pa F21*= Fan control step differential
- *Pa F22*= Fan control step *hysteresis*

Diagram illustrating *internal fan control* in *cooling* mode





Power: power
Temp: temperature from probe linked in A11

INTERNAL FAN CONTROL IN HEATING MODE:

The *internal fan* is turned off if:

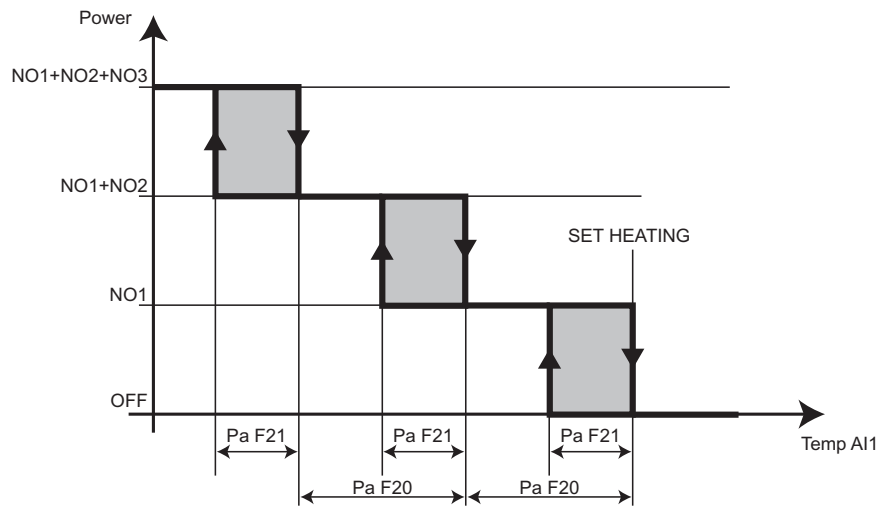
- there is a hot start shutdown
- the heat pump is not present (*Pa H28* = 0)

Otherwise it is on, at a speed which depends on the difference between temperature A11 and the *HEATING set point*.

Parameters:

- *Pa F20* = Fan control step differential
- *Pa F21* = Fan control step *hysteresis*

Diagram illustrating *internal fan control* in cooling mode



Power: power
Temp: temperature from probe linked in A11

9 FUNCTIONS

9.1 Recording hours of operation

The device stores the number of hours of operation of the following in *permanent memory*:

- *hydraulic pump*
- *compressors*

It is precise to within one minute.

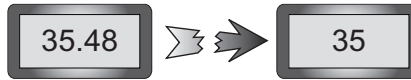
Hours of operation may be displayed by entering the appropriate menu with the *label* Ohr (refer to *menu structure*).

The whole value is displayed if it is less than 999 hours; if it exceeds this value, the hundreds of hours will be shown and the decimal point will appear:

For example, 1234 hours will be displayed as follows:



To set the number of hours to zero, hold the DOWN key (refer to *keys*) down for two seconds while displaying the number of hours of operation.



In the event of a *power failure*, the latest fraction of an hour recorded is set to 0, so that duration is rounded down

9.2 Defrosting

The defrost function is active in *heating* mode only.

It is used to prevent ice formation on the surface of the external exchanger, which can occur in locations with low temperature and high humidity.

It will considerably reduce the machine's thermodynamic performance, creating a risk of damage to the machine.

Defrosting is enabled if:

- it is enabled by the parameter (*Pa d01* = 1)
- there is at least one condensation probe (*Pa H07*, for input AI3= 1 or 2, or *Pa H08*, for input AI4= 1)
- the *reversing valve* is present

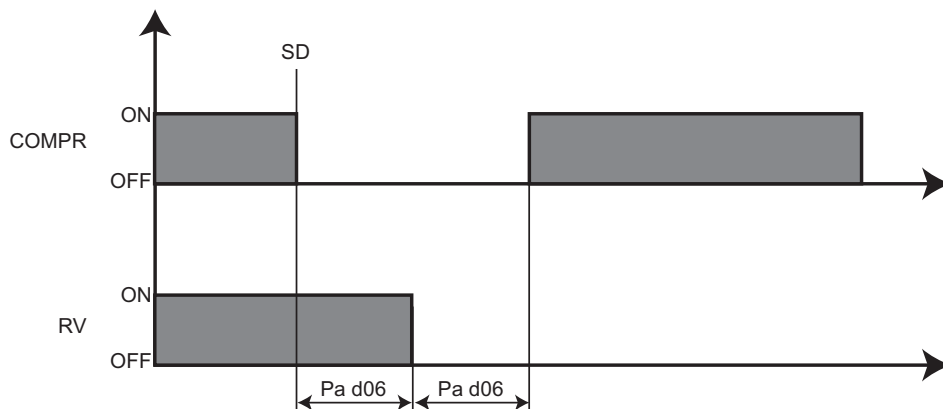
Defrosting may be controlled on the basis of temperature or pressure, depending on how the machine is configured in *Pa H49*.

Defrost start and stop commands are given on the basis of condensation probe readings and parameter settings, as described below:

9.2.1 Defrost start

- If condensation temperature/pressure drops below *Pa d02* (*Defrost start* temperature) and the compressor is ON, the response counter starts (*Pa d03*, defrost response time).
- When duration *Pa d03* has expired, the instrument begins *defrosting*.
- At this point, if *Pa d06* (compressor...valve delay time) = 0, the compressor will stay on. If not, the control illustrated in the diagram below will be applied:

Diagram



SD: <i>defrost start</i>	COMPR: compressor
RV: <i>reversing valve</i>	<i>Pa d06</i> : compressor/valve delay time



This delay prevents liquid from flowing back into the compressor.
If the machine is configured with 2 compressors, both compressors (steps) will be on during defrosting.
This will not be the case if a thermal switch alarm has been given for one of the compressors.
Compressor safety times are ignored during the defrost cycle.

Start defrosting and end defrosting pressure (or temperature) values are determined by:

- defrost start: parameter Pa d02
- defrost end: parameter Pa d04

this only applies if parameter Pa H49= 3 or 2.

If Pa H49= 1 (temperature-based operation), temperature values are determined by:

- Pa d08, start defrost
- Pa d09, stop defrost.

If Pa H49= 0, defrosting is not permitted (probe AI3 absent).

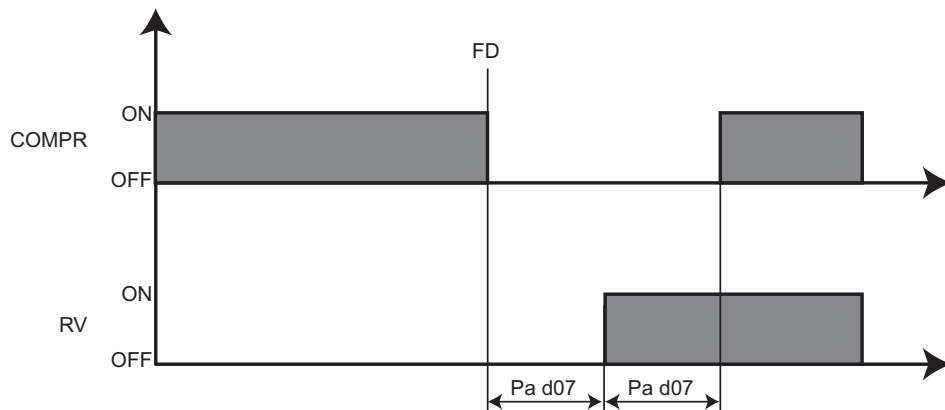
9.2.2 Defrost end

Defrost will end if:

- temperature/pressure rises above Pa d04 (defrost end temperature/pressure).
- duration of defrosting reaches Pa d05 (max defrost time)

at the end of defrosting, if drip time Pa d07= 0, the compressor will stay on; if not, the control illustrated in the figure will be applied:

Diagram



FD: defrost end
COMPR: compressor
RV: reversing valve
Pa d07: drip time

9.2.3 Counter mode

- The defrost interval counter is interrupted when temperature/pressure rises above Pa d02 (defrost start temperature/pressure) or the compressor is turned off.
- The counter is set to zero after one of the following events: defrost cycle performed; power off; change in operating mode.
- The counter is also set to zero when the temperature/pressure rises above Pa d04 (defrost end temperature/pressure).

9.2.4 Start defrost temperature compensation (for models E2xxB only)

In dry and cool climates, the start defrost temperature is not corresponding to the effective icing temperature of the battery. The following control allows to linearly compensate the start defrost temperature/pressure, by adding negative or positive values depending on the outdoor temperature.

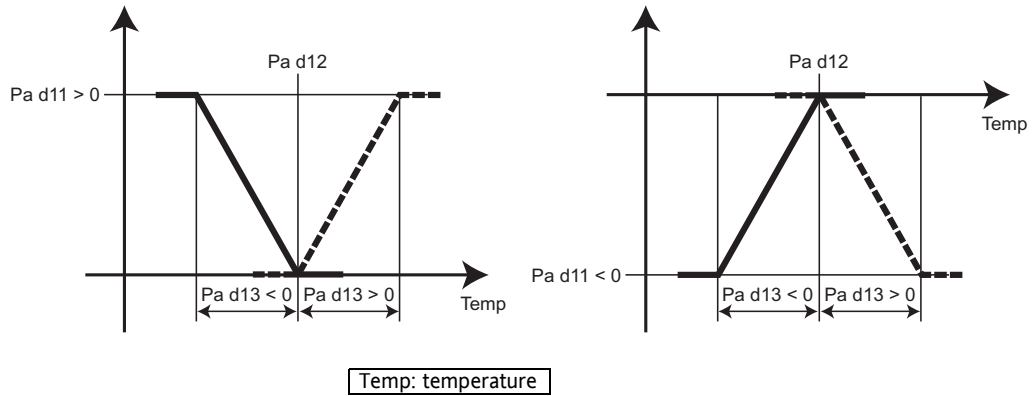
Fan control will be on if:

- Activation parameter Pa H31 = 1
- Probe AI4 is configured as an outdoor temperature probe (Pa H08= 3)

Control parameters:

- Pa d11 = compensation offset for temperature/pressure defrosting
- Pa d12 = compensation set point for temperature/pressure defrosting
- Pa d13 = compensation delta for temperature/pressure defrosting

Decalibrating
defrost start
setpoint according
to T ext



9.3 Hot start function

This function is provided in *HEATING* mode only, using the *internal fan*, only when the internal exchanger is sufficiently hot. It prevents an unpleasant draft of cold air.

The function is active if:

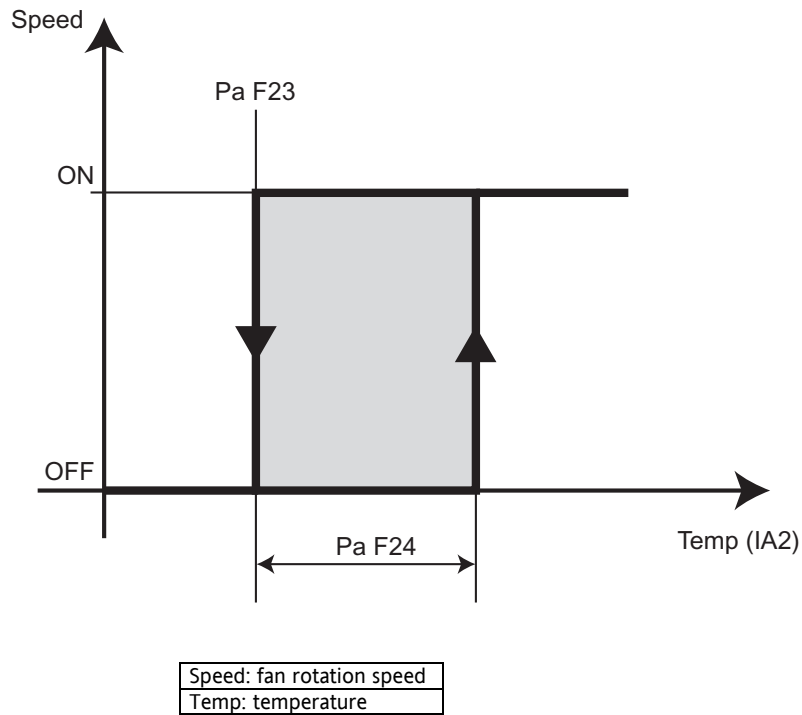
- internal ventilation is active
- configuration parameter AI2 Pa H06= 1 (NTC probe outflowing water/air)
- in *heating* mode

The diagram below illustrates the function:

Regulation algorithm

- AI2= water/air temperature probe
- Pa F23= HOT START *set point*;
- Pa F24= HOT START *hysteresis*

Diagram



9.4 Machine out of coolant signal

In all *operating modes* except *boiler* in operation or *defrosting*, machine *functions* are controlled to detect leakage in the coolant circuit or breakage of the *reversing valves* (if used as a heat pump).

The signal is given with code **E44** (refer to *table of alarms*).

The regulation algorithm is enabled by Pa A23= 1; and AI2 (*analogue inputs*) must be configured as outflowing water input (Pa H06= 1).

The *alarm* is triggered if one of the following conditions apply continuously for an amount of time exceeding Pa A22:

- in *heating* mode: the difference of temperature AI2-AI1 (*analogue inputs*) is lesser than Pa A20
- in *cooling* mode: the difference of temperature AI2-AI1 (*analogue inputs*) is lesser than Pa A20

The machine out of coolant *alarm* is always manually *reset*.

The timer is set to zero every time operating mode is changed and whenever the compressor is turned off. The counter is stopped for an amount of time which may be set using parameter Pa A21 whenever the compressor is turned on.

9.5 Power failure

In the event of a *power failure*, when the power is restored the control will return to the status it had before the power went out.

If *defrosting* is underway, it will be cancelled. All timing in progress when the power goes out will be cancelled and started again.

10 DIAGNOSTICS

Alarms

Alarm events per hour

"Ech 200" can perform full systems *diagnostics* and signal a series of *alarms*.

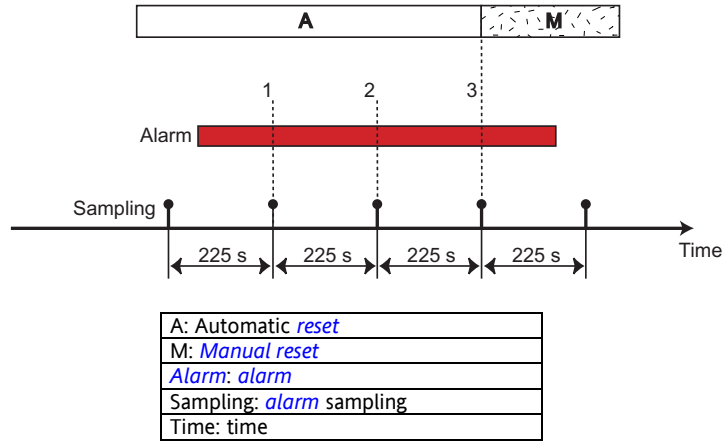
Alarm trigger and *reset* modes are set using *parameters Pa A01 – Pa A26*.

For some *alarms* the signal will not be given for a certain amount of time, determined by a parameter.

For some *alarms* the number of *alarm* events is counted: if the number of *alarm* events in the past hour exceeds a certain threshold set by a parameter, the *alarm* will switch from automatic to *manual reset*.

Alarms are sampled every 225 seconds;

Example: if the number of events/hour is set to 3, the duration of an *alarm* must fall between $2 \cdot 225$ seconds and $3 \cdot 225$ seconds for the *alarm* to be switched from automatic to *manual reset*.



If an *alarm* is triggered more than once within one sampling period (225 seconds), only one *alarm* will be counted.



Alarms with *manual reset* are *reset* by pressing the ON-OFF button and releasing.

Manual reset shuts down corresponding *loads* and requires an operator to intervene (*reset* the *alarm* using the ON-OFF control).

Manual reset alarms are used mainly to identify problems which could result in damage to the system.

10.1 List of alarms

When an *alarm* is triggered, two things occur:

- The corresponding *loads* are shut down
- The *alarm* appears on the *keyboard display*

The *alarm* message consists of a code with the format "Enn" (where nn is a 2-digit number identifying the type of *alarm*, such as: E00, E25, E39...).

All possible *alarms* are listed in the table below, along with their codes and the corresponding *loads* that will be shut down:

Table of alarms

CODE	SIGNAL	DESCRIPTION	LOADS SHUT DOWN							
			COMPRESSOR 1	COMPRESSOR 2	EXTERNAL FAN	INTERNAL FAN	PUMP	ELECTRICAL HEATER 1	ELECTRICAL HEATER 2	
E00	Remote Off	<ul style="list-style-type: none"> All <i>loads</i> will be shut down; Triggered by the digital input configured as "Remote ON-OFF" (refer to <i>digital inputs</i>). 	OFF	OFF	OFF	OFF	OFF	OFF	OFF	OFF
E01	High pressure (digital)	<ul style="list-style-type: none"> <i>Compressors</i> in the circuit will be shut down; Always manually <i>reset</i>. 	OFF	OFF						
E02	Low pressure (digital)	<ul style="list-style-type: none"> <i>Compressors</i> and... will be shut down Triggered by digital input ID2 (refer to <i>digital inputs</i>); Automatically <i>reset</i> unless <i>alarm events per hour</i> reaches the value of parameter <i>Pa A02</i>, after which manually <i>reset</i>; Inactive during timer <i>Pa A01</i> after a compressor is turned on or the 4-way valve (<i>reversing valve</i>) is reversed. Inactive during <i>defrosting</i> if <i>Pa 24</i>=0. 	OFF	OFF	OFF	OFF				
E03	Thermal switch protection compressor 1	<ul style="list-style-type: none"> Compressor 1 will be shut down; Triggered by the digital input configured as "Compressor 1 thermal switch" (refer to <i>digital inputs</i>); Automatically <i>reset</i> unless <i>alarm events per hour</i> reaches the value of parameter <i>Pa A08</i>, after which manually <i>reset</i>; Inactive during timer <i>Pa A07</i> after compressor is turned on. 	OFF							
E04	Thermal switch protection condenser fan	<ul style="list-style-type: none"> <i>Compressors</i> and fans will be shut down; Triggered by the digital input configured as "Fan thermal switch" (refer to <i>digital inputs</i>); Automatically <i>reset</i> unless <i>alarm events per hour</i> reaches the value of parameter <i>Pa A09</i>, after which manually <i>reset</i>; 	OFF	OFF	OFF	OFF				
E05	Anti-freeze	<ul style="list-style-type: none"> External fans and <i>compressors</i> will be shut down; Active if analogue probe A12 (refer to <i>analogue inputs</i>) is configured as an anti-freeze probe (<i>Pa H06</i> = 1); Triggered when probe A12 detects a value below <i>Pa A11</i>; Goes off if A12 detects a value greater than <i>Pa A11</i> + <i>Pa A12</i>; Automatically <i>reset</i> unless <i>alarm events per hour</i> reaches the value of parameter <i>Pa A13</i>, after which manually <i>reset</i>; Inactive during timer <i>Pa A10</i> after Ech 200 is turned on using the On-OFF key (refer to <i>keyboard</i>) or by a digital ON-OFF input (refer to <i>digital inputs</i>). 	OFF	OFF	OFF	OFF				
E06	Probe A12 fault	<ul style="list-style-type: none"> All <i>loads</i> will be shut down; Triggered if probe A12, configured as an analogue input, shorts or is cut off or probe limits are exceeded (-50°C..100°C). 	OFF	OFF	OFF	OFF	OFF	OFF	OFF	OFF
E07	Probe A13 fault	<ul style="list-style-type: none"> All <i>loads</i> will be shut down; Triggered if probe A13, configured as an analogue input, shorts or is cut off or probe limits are exceeded (-50°C..100°C). 	OFF	OFF	OFF	OFF	OFF	OFF	OFF	OFF
E11	High pressure / high temperature (analogue)	<ul style="list-style-type: none"> <i>Compressors</i> will be shut down; Active if at least one probe is configured for condensation control (refer to <i>analogue inputs</i>); Triggered when the condensation probe detects a value in excess of <i>Pa A14</i> Turned off if temperature/pressure falls below <i>Pa A14</i> – <i>Pa</i> 	OFF	OFF						

CODE	SIGNAL	DESCRIPTION	LOADS SHUT DOWN						
			COMPRESSOR 1	COMPRESSOR 2	EXTERNAL FAN	INTERNAL FAN	PUMP	ELECTRICAL HEATER 1	ELECTRICAL HEATER 2
E12	Low pressure / low temperature (analogue)	<ul style="list-style-type: none"> A15. Always manually <i>reset</i>. Compressors and fans will be shut down; Active if at least one probe is configured for condensation control (refer to <i>analogue inputs</i>) Triggered when the condensation probe detects a value below <i>Pa A17</i> Goes off if temperature/pressure exceeds <i>Pa A17 – Pa A18</i>. Automatically <i>reset</i> unless <i>alarm events per hour</i> reaches the value of parameter <i>Pa A19</i>, after which manually <i>reset</i>; Inactive during timer <i>Pa A16</i> after compressor is turned on or 4-way valve (<i>reversing valve</i>) is reversed 	OFF	OFF	OFF	OFF			
E13	Thermal switch protection compressor 2	<ul style="list-style-type: none"> Compressor 2 will be shut down; Triggered by the digital input configured as “Compressor 2 thermal switch” (refer to <i>digital inputs</i>); Automatically <i>reset</i> unless <i>alarm events per hour</i> reaches the value of parameter <i>Pa A08</i>, after which manually <i>reset</i>; Inactive during timer <i>Pa A07</i> after compressor is turned on. 	OFF	OFF					
E40	Probe A11 fault	<ul style="list-style-type: none"> All <i>loads</i> will be shut down; Triggered if probe A11, configured as an analogue input, shorts or is cut off or probe limits are exceeded (-50°C..100°C). 	OFF	OFF	OFF	OFF	OFF	OFF	OFF
E41	Flow switch	<ul style="list-style-type: none"> All <i>compressors</i>, external fans and pumps will be turned off if the <i>alarm</i> is to be manually <i>reset</i>; Triggered if the digital input configured as “flow switch” (refer to <i>digital inputs</i>) remains active for an amount of time equal to <i>Pa A04</i>; Goes off if the digital input configured as “flow switch” (refer to <i>digital inputs</i>) remains inactive for an amount of time equal to <i>Pa A05</i>; Automatically <i>reset</i> unless <i>alarm events per hour</i> reaches the value of parameter <i>Pa A06</i>, after which manually <i>reset</i>; Inactive during timer <i>Pa A03</i> after pump (<i>hydraulic pump</i>) is turned on 	OFF	OFF	OFF		OFF ³		
E42	Probe A14 fault	<ul style="list-style-type: none"> All <i>loads</i> will be shut down; Triggered if probe A14, configured as an analogue input, shorts or is cut off or probe limits are exceeded (-50°C..100°C). 	OFF	OFF	OFF	OFF	OFF	OFF	OFF
E43	Anti-freeze <i>alarm</i> (water-water machine with gas reversal)	<ul style="list-style-type: none"> Compressors will be shut down; Active if probe A13 is configured as an anti-freeze probe for water-water machines with gas reversal (refer to <i>analogue inputs</i>) Triggered if probe A13 detects a value below <i>Pa A11</i> Goes off if temperature detected by A13 exceeds <i>Pa A11 + Pa A12</i>. Automatically <i>reset</i> unless <i>alarm events per hour</i> reaches the value of parameter <i>Pa A13</i>, after which manually <i>reset</i>; 	OFF	OFF					
E44	Machine out of coolant	<ul style="list-style-type: none"> Compressors and fans will be shut down; In all <i>operating modes</i> except <i>boiler</i> use or <i>defrosting</i>, the 	OFF	OFF	OFF	OFF	OFF	OFF	OFF



CODE	SIGNAL	DESCRIPTION	LOADS SHUT DOWN						
			COMPRESSOR 1	COMPRESSOR 2	EXTERNAL FAN	INTERNAL FAN	PUMP	ELECTRICAL HEATER 1	ELECTRICAL HEATER 2
E45	Configuration error	<p>machine is checked for leakage in the gas circuit or breakage of the reversal valves (heat pump operation).</p> <ul style="list-style-type: none"> All <i>loads</i> will be shut down; If A11 is configured as a request for <i>heating</i> digital input and A12 as a request for <i>cooling</i> input (refer to <i>analogue inputs</i>), the <i>alarm</i> will be triggered if both inputs are active. 	OFF	OFF	OFF	OFF	OFF	OFF	OFF
E46	Over-temperature	<ul style="list-style-type: none"> <i>Compressors</i> will be shut down Triggered if probe A11 (refer to <i>analogue inputs</i>) has a value over <i>Pa A25</i> for an amount of time in excess of <i>Pa A26</i>; 	OFF	OFF					

³ Only if manually *reset*

Outputs defined as capacity steps will be off if there is an *alarm* for the compressor to which they belong.

The tables below list *alarms* by type (digital or analogue).

Digital alarms

10.1.1 TABLE OF DIGITAL ALARMS:

<i>Alarm name</i>	Bypass trigger event	Bypass time	Trigger duration	Deactivation duration	N. <i>alarm</i> events/hour
High pressure <i>alarm</i>	None	absent	absent	absent	<i>Manual reset</i>
Low pressure <i>alarm</i>	A compressor coming on in the circuit or reversal of 4-way valve	<i>Pa A01</i>	absent	absent	<i>Pa A02</i>
Flow switch <i>alarm</i>	Pump coming on	<i>Pa A03</i>	<i>Pa A04</i>	<i>Pa A05</i>	<i>Pa A06</i>
Thermal switch compressor 1.2	Compressor coming on	<i>Pa A07</i>	absent	absent	<i>Pa A08</i>
Thermal switch fan	None	absent	absent	absent	<i>Pa A13</i>

Analogue alarms

10.1.2 TABLE OF ANALOGUE ALARMS:

<i>Alarm name</i>	Event	Time. Bypass	Trigger set point	Hysteresis	N. <i>alarm</i> events/hour	Regulation probe
Anti-freeze <i>alarm</i>	On Off, input in <i>heating</i> mode, remote on off	<i>Pa A10</i>	<i>Pa A11</i>	<i>Pa A12</i> positive	<i>Pa A13</i>	A12 if <i>configuration parameter Pa H06</i> = 1, otherwise <i>alarm</i> is inactive
Low condensation pressure/temperature <i>alarm</i>	Compressor turned on or reversal of 4-way valve	Par A16	<i>Pa A17</i>	<i>Pa A18</i> positive	<i>Pa A19</i>	Probe configured for condensation control
High condensation pressure/temperature <i>alarm</i>	None	absent	<i>Pa A14</i>	<i>Pa A15</i> negative	<i>Manual reset</i>	Probe configured for condensation control
Over-temperature <i>alarm</i>	None	Trigger duration must exceed <i>Pa A26</i>	<i>Pa A25</i>	<i>Pa A12</i> negative	Automatic <i>reset</i>	A11
External anti-freeze <i>alarm</i>	None	None	<i>Pa A11</i>	<i>Pa A12</i> positive	<i>Pa A13</i>	A13 if <i>Pa H07</i> = 4

11 PARAMETERS

Parameters make the "Ech 200" a fully configurable device.

They may be modified through:

- instrument *keyboard*
- *copy card*
- personal computer (with a suitable connection and "*Param manager*" software)

11.1 Description of parameters

We will now look at *parameters* in detail, divided by category.

11.1.1 Configuration parameters

Determine the features of the machine. If one or more *parameters* in this category are modified, the controller must be switched off after the modification and switched on again to ensure correct operation.

Values marked with a (*) are valid only for *Ech 2xxB*

- Pa G01** **"Cooling" set point**
Allows the *set point* to be set on "cooling" mode.
- Pa G02** **"Heating" set point**
Allows the *set point* to be set on "heating" mode
- Pa H01** **Maximum set point during "heating"**
Upper limit on *set point* in "heating" mode
- Pa H02** **Minimum set point during "heating"**
Lower limit on *set point* in "heating" mode
- Pa H03** **Maximum set point during "cooling"**
Upper limit on *set point* in "cooling" mode
- Pa H04** **Minimum set point during cooling**
Lower limit on *set point* in "cooling" mode
- Pa H05** **A11 Configuration**
Used to configure analogue input A11
- 0= No probe
 - 1= Inlet water/air analogue input
 - 2= Heating request digital input
 - 3= Regulation algorithm request digital input
 - 4= Differential NTC input
 - 5= On *remote keyboard* (*)
- Pa H06** **A12 Configuration**
- 0= No probe
 - 1= Outlet water/antifreeze/inlet air analogue input
 - 2= Cooling request digital input
 - 3= Anti-freeze *alarm* digital input
- Pa H07** **A13 Configuration**
- 0= No probe
 - 1= Condensation control analogue input
 - 2= 4...20 mA condensation input
 - 3= 4...20 mA *dynamic set point* input
 - 4= Antifreeze analogue input for water-water machines with gas reversal
 - 5= Regulation algorithm input in "heating" mode for water-water machines with manual reversal
- Pa H08** **A14 Configuration**
- 0= No probe
 - 1= Condensation control NTC input
 - 2= Multifunctional digital input
 - 3= Outdoor temperature NTC input
 - 4= Antifreeze analogue input for water-water machines with gas reversal
- Pa H09** **Bottom of scale pressure value**
Maximum inlet value; determines the value corresponding to a current of 20 mA
- Pa H10** **Polarity of digital input ID1**
- Pa H11** **Polarity of digital input ID2**
- Pa H12** **Polarity of digital input ID3**
- Pa H13** **Polarity of digital input ID4**
- Pa H14** **Polarity of digital input ID5**
- 0= Active when contact closed
 - 1= Active when contact open
- Pa H15** **Polarity of analogue input A11**
- Pa H16** **Polarity of analogue input A12**
- Pa H17** **Polarity of analogue input A14**
If configured as *digital inputs*:
- 0= Active when contact closed
 - 1= Active when contact open
- Pa H18** **Configuration of digital input ID3**
- Pa H19** **Configuration of digital input ID4**
- Pa H20** **Configuration of digital input ID5**
- 0= Compressor 1 thermal switch
 - 1= Fan thermal switch
 - 2= Flow switch
 - 3= Remote Heat/Cool

	<ul style="list-style-type: none"> • 4= Remote ON-OFF • 5= Compressor 2 thermal switch • 6= Request for second compressor (step)
Pa H21	Configuration of AI4 if configured as a digital input (Pa H08=2) <ul style="list-style-type: none"> • 0= Compressor thermal switch • 1= Fan thermal switch • 2= Flow switch • 3= Remote Heat/Cool • 4= Remote ON-OFF • 5= Compressor 2 thermal switch • 6= Request for second compressor (step)
Pa H22	Configuration of output NO2 <ul style="list-style-type: none"> • 0= Pump • 1= <i>Internal fan</i> step 1
Pa H23	Configuration of output relay NO3 <ul style="list-style-type: none"> • 0= Reversal • 1= <i>Internal fan</i> step 3 • 2= second compressor (step)
Pa H24	Configuration of output relay NO4 <ul style="list-style-type: none"> • 0= Anti-freeze electrical heaters • 1= <i>Internal fan</i> step 2 • 2= <i>Boiler</i>
Pa H25	Optional analogue output configuration <ul style="list-style-type: none"> • 0= <i>open Collector output</i> for second compressor • 1= fan speed 4-20 mA output • 2= fan speed 0-10 V output
Pa H26	Configuration of serial protocol (not used) <ul style="list-style-type: none"> • 0= Standard • 1= INVENSYS
Pa H27	Selection of operating mode May be used to select which input determines operation in <i>Heating/Cooling</i> mode <ul style="list-style-type: none"> • 0= Selection from <i>keyboard</i> • 1= Selection from digital input • 2= Selection from analogue input (probe AI4)
Pa H28	Presence of heat pump <ul style="list-style-type: none"> • 0= Heat pump absent • 1= Heat pump present
Pa H29	<i>Heating mode set point</i> If mode selector from analogue input is enabled, this is the value of AI4 below which the control will switch to “ <i>heating</i> ” mode
Pa H30	Mode selection differential If mode selection from analogue input is enabled, this is the temperature differential for switching to “ <i>cooling</i> ” mode
Pa H31	Enable <i>dynamic set point</i> Enables the function <ul style="list-style-type: none"> • 0= <i>Dynamic set point</i> disabled • 1= <i>Dynamic set point</i> enabled
Pa H32	<i>Dynamic set point</i> offset in <i>cooling</i> mode The maximum value that may be added to the <i>set point</i> in “ <i>cooling</i> ” mode
Pa H33	<i>Dynamic set point</i> offset in <i>heating</i> mode The maximum value that may be added to the <i>set point</i> in “ <i>heating</i> ” mode
Pa H34	Outdoor temperature <i>dynamic set point</i> in <i>cooling</i> mode The temperature above which the <i>set point</i> offset is zero in <i>cooling</i> mode.
Pa H35	Outdoor temperature <i>dynamic set point</i> in <i>heating</i> mode The temperature above which the <i>set point</i> offset is zero in <i>heating</i> mode.
Pa H36	Outdoor temperature <i>dynamic set point</i> differential in <i>cooling</i> mode May be used to set the differential for the outdoor temperature below which the maximum <i>set point</i> offset applies
Pa H37	Outdoor temperature <i>dynamic set point</i> differential in <i>heating</i> mode May be used to set the differential for the outdoor temperature above which the maximum offset applies.
Pa H38	<i>Reversing valve</i> polarity <ul style="list-style-type: none"> • relay ON in cool • relay ON in heat
Pa H39	Offset AI1,
Pa H40	Offset AI2,
Pa H42	Offset AI4 These <i>parameters</i> may be used to compensate the error that may occur between the temperature reading and the actual temperature or pressure.
Pa H41	Offset AI3 This parameter may be used to compensate the error that may occur between the temperature or pressure reading and the actual temperature or pressure.
Pa H43	mains frequency <ul style="list-style-type: none"> • 0= mains frequency 50 Hz • 1= mains frequency 60 Hz
Pa H44	Family serial address,
Pa H45	Device serial address May be used to select serial address. Both normally 0.
Pa H46	User password May be used to enter a parameter for access to level two <i>parameters</i> .
Pa H47	<i>Copy card</i> write password The password that must be entered to copy <i>parameters</i> to the <i>copy card</i> .

- Pa H48** Number of **compressors** per circuit
- 1= 1 compressor
 - 2= 2 **compressors** (or 2 steps)
- Pa H49** Enable pressure / **temperature-based operation**
- 0= **parameters Pa H07**=0 (probe AI3 absent) and **Pa F01** = 3 (functioning in response to request from compressor) are forced.
 - 1= **temperature-based operation**; **parameters Pa H07, Pa F01** are forced to: **Pa H07**= 1 (probe AI3 temperature), **Pa F01**= 3 (functioning in response to request from compressor).
 - 2= **pressure-based operation**; **parameters Pa H07, Pa F01** are forced to: **Pa H07**= 2 (probe ST3 pressure), **F01**= 0 (proportional functioning).
 - 3= no constraints are set on **parameters**
- Pa H50** **Compressor on sequence**
- 0= **compressors** come on on the basis of number of hours of operation (balancing hours of operation)
 - 1= compressor 1 is turned on first, followed by compressor 2 (or capacity step) 2 (unvaried sequence).
- Pa H51** **Compressor 2 or capacity step polarity**
- 0= relay ON if compressor 2/capacity step ON
 - 1= relay ON if compressor 2/ capacity step OFF
- Pa H52** **selection of degrees °C or °F**
- 0= degrees °C
 - 1= degrees °F

Only for models Ech 2xxB:

- Pa H53** **SET display for air/air machine**
In order to facilitate the **user interface** in the air/air version, the set associated with the selected mode is normally displayed by setting the parameter PS H53
- Pa H54** **Customer Code 1**
A number between 0 and 999 that the user can assign for internal use
- Pa H55** **Customer Code 2**
A number between 0 and 999 that the user can assign for internal use
- Pa H56** **Polarity of relay alarm**
- 0 = output is active (closed contact) when an **alarm** is active and when the machine is switched off.
 - 1 = in the same conditions, the contact is open
- Pa H57** **Enable relay alarm in off position**
- 0 = **alarm** output not enabled in OFF or standby
 - 1 = **alarm** output enabled in OFF or standby

11.1.2 Compressor parameters (CP)

- Pa C01** **OFF-ON safety time**
The minimum amount of time that must pass between turning off the compressor and turning it on again. Expressed in tens of seconds.
- Pa C02** **ON-ON safety time**
The minimum amount of time that must pass between turning the compressor on and turning it on again. Expressed in tens of seconds.
- Pa C03** **Cooling regulation algorithm hysteresis**
May be used to select intervention differential in **cooling** mode.
- Pa C04** **Heating regulation algorithm hysteresis**
May be used to select intervention differential in **heating** mode.
- Pa C05** **Regulation algorithm step intervention differential**
May be used to set a temperature differential in relation to the **set point** beyond which the second step is activated.
- Pa C06** **Compressor 1 - compressor 2 (step) on interval**
May be used to set a delay between turning on of two steps.
- Pa C07** **Compressor 1 - compressor 2 (step) off interval**
May be used to set a delay between turning off of two steps.

11.1.3 Fan control parameters (FAN)

- Pa F01** **Fan output configuration**
- 0: proportional condensation control TK output
 - 1: ON-OFF TK output
 - 2: anti-freeze electrical heater output for water-water machines with gas reversal
 - 3: TK ON-OFF output on compressor
- Pa F02** **Fan pick-up time**
Time for which fan runs at maximum speed after starting up. Expressed in seconds/10.
- Pa F03** **Fan phase shift**
May be used to adapt output to various types of fans.
- Pa F04** **Impulse duration of triac on**
May be used to vary the length of the impulse from the **triac**.
- Pa F05** **Functioning in response to compressor request**
- 0: if compressor is off, fan is off
 - 1: condensation control independent of compressor
- Pa F06** **Minimum speed during cooling**
Minimum value of proportional fan control during **cooling**. Expressed as a percentage of the maximum permitted voltage, from 0 to 100%.
- Pa F07** **Maximum silent speed during cooling**
Maximum value of proportional fan control during **cooling**. Expressed as a percentage of the maximum permitted voltage, from 0 to 100%.
- Pa F08** **Minimum fan speed temperature/pressure set point during cooling**
Condensation pressure/temperature value below which the fan runs at minimum **cooling** speed.

- Pa F09 Proportional band during *cooling***
Temperature/pressure differential corresponding to change from minimum to silent maximum fan speed during *cooling*.
- Pa F10 *Cut-off differential***
Condensation temperature/pressure differential within which fan continues to run at low speed.
- Pa F11 *Cut-off hysteresis*.**
Condensation temperature/pressure differential for fan *cut-off*.
- Pa F12 *Cut-off bypass time***
Determines the amount of time after fan start-up during which compressor *cut-off* is excluded. Expressed in seconds.
- Pa F13 *Maximum speed during cooling***
May be used to set a speed step corresponding to a given temperature/pressure value during *cooling*.
- Pa F14 *Maximum fan speed temperature/pressure set point in cooling mode***
Condensation temperature/pressure value corresponding to the fan speed set for par. F13.
- Pa F15 *Minimum speed during heating***
Minimum proportional fan control value in *heating* mode. Expressed as a percentage of the maximum permitted voltage, from 0 to 100%.
- Pa F16 *Maximum silent speed during heating***
Maximum value of proportional fan control during *heating*. Expressed as a percentage of the maximum permitted voltage, from 0 to 100%.
- Pa F17 *Minimum fan speed temperature/pressure set point during heating***
Condensation temperature/pressure value above which the fan operates at minimum speed in *heating* mode.
- Pa F18 *Proportional band during heating***
Temperature/pressure differential corresponding to a change from minimum to maximum silent fan speed during *heating*.
- Pa F19 *Maximum speed during heating***
May be used to set a speed step corresponding to a given temperature/pressure value during *heating*.
- Pa F20 *Maximum fan speed temperature/pressure set point during heating***
Condensation temperature/pressure value corresponding to the fan speed set for par. F19.
- Pa F21 *Internal fan step differential***
May be used to set a temperature differential between one step of fan control and the next for *internal fan control*.
- Pa F22 *Internal fan step hysteresis***
May be used to set a *hysteresis* for each fan control step *cut-off*.
- Pa F23 *Hot start set point***
May be used to set a temperature value for probe AI2 below which *internal fan control* is shut down.
- Pa F24 *Hot start hysteresis***
May be used to set a *hysteresis* for the *hot start function*.
- Pa F25 *Preventilation in cooling mode***
May be used to set a preventilation time in *cooling* mode before the compressor is turned on.

11.1.4 Alarm parameters (ALL)

- Pa A01 *Low pressure pressure switch bypass time*.**
Determines the delay between starting up the compressor and starting up the low pressure digital *alarm diagnostics*. Expressed in seconds.
- Pa A02 *Low pressure alarm events per hour***
Used to set the number of low pressure digital *alarm events per hour* beyond which the system will switch from automatic *reset* to *manual reset*.
- Pa A03 *Bypass flow switch after pump on***
Determines the delay between activation of the *hydraulic pump* and activation of the flow switch *alarm diagnostics*. Expressed in seconds.
- Pa A04 *Duration of active flow switch input***
May be used to set the amount of time for which the flow switch digital input must remain *active* to generate a flow switch *alarm*. The timer starts after the flow switch by-pass time. Expressed in seconds.
- Pa A05 *Duration of inactive flow switch input***
May be used to set the time for which the flow switch digital input must remain *inactive* to be included in the corresponding *alarm*. Expressed in seconds.
- Pa A06 *Number of flow switch alarms/hour***
May be used to set the number of flow switch *digital alarms* per hour after which the *alarm* is switched from automatic to *manual reset*. When this occurs, the *hydraulic pump* is deactivated.
- Pa A07 *Compressor thermal switch bypass following compressor on***
Determines the delay between compressor activation and activation of the compressor thermal switch digital *diagnostics alarm*. Expressed in seconds.
- Pa A08 *Compressor 1/2 thermal switch alarm events per hour***
May be used to set a number of compressor thermal switch *alarm events per hour* beyond which the *alarm* is switched from automatic to *manual reset*.
- Pa A09 *Fan thermal switch alarm events per hour***
May be used to set a number of fan thermal switch *alarm events per hour* beyond which the *alarm* is switched from automatic to *manual reset*.
- Pa A10 *Anti-freeze alarm by-pass***
Determines the delay between turning on the machine and activation of the anti-freeze *alarm*; it is enabled only in the *heating* mode. Expressed in minutes.
- Pa A11 *Anti-freeze alarm set point***
May be used to set the temperature below which the anti-freeze *alarm* is triggered.
- Pa A12 *Anti-freeze alarm differential***
May be used to set the anti-freeze *alarm* differential.
- Pa A13 *Anti-freeze alarm events per hour***
May be used to set a number of anti-freeze *alarm events per hour* beyond which the *alarm* is switched from automatic to *manual reset*.
- Pa A14 *Analogue input high pressure set point***
May be used to set a condensation pressure/temperature value beyond which the high pressure *alarm* will be triggered.
- Pa A15 *Analogue input high pressure hysteresis***

	May be used to set the differential for the analogue high pressure <i>alarm</i> .
Pa A16	Analogue input low pressure bypass Determines the delay after turning on the compressor before activation of the analogue input low pressure <i>alarm</i> . Expressed in seconds.
Pa A17	Analogue input low pressure set point May be used to set a temperature/pressure value below which the low pressure <i>alarm</i> will be triggered.
Pa A18	Analogue input low pressure hysteresis May be used to set the differential for the analogue low pressure <i>alarm</i> .
Pa A19	Analogue input low pressure alarm events/hour May be used to set a number of low pressure analogue <i>alarm events per hour</i> beyond which the <i>alarm</i> will be switched from automatic to <i>manual reset</i> .
Pa A20	Machine out of coolant differential If the difference between the absolute value of AI2 and is lower than this parameter when in <i>heating</i> and higher when in <i>cooling</i> , the machine out of coolant timer will start.
Pa A21	Machine out of coolant bypass Determines the delay between the turning on of the first compressor in the corresponding <i>cooling</i> circuit and activation of the machine out of coolant <i>alarm diagnostics</i> . Expressed in minutes.
Pa A22	Machine out of coolant duration Determines the amount of time beyond which the machine out of coolant <i>alarm</i> will be triggered.
Pa A23	Machine out of coolant alarm activation Enables machine out of coolant <i>alarm</i>
Pa A24	Enable low pressure alarm during defrosting Enables the minimum <i>alarm</i> during <i>defrosting</i> . If 0, the low pressure <i>alarm</i> is disabled during <i>defrosting</i> .
Pa A25	Over-temperature set point Temperature value AI1 above which the over-temperature <i>alarm</i> E46 is triggered.
Pa A26	Over-temperature ON duration Determines the duration of the condition AI1>A25 beyond which <i>alarm</i> E46 is triggered. Pump <i>parameters</i> (PUP)
Pa P01	Pump operating mode May be used to determine pump operating mode: <ul style="list-style-type: none"> • 0=continuous operation • 1=operation in response to a request from the regulation algorithm • 2=<i>cyclic operation</i>
Pa P01 for Ech 2xxB	Pump or fan operating mode May be used to determine pump or fan operating mode: <ul style="list-style-type: none"> • 0=(pump) continuous operation (fan) the fan is never switched off • 1= (pump) operation in response to a request from regulation algorithm (fan) the fan is turned off with the compressor • 2= (pump) <i>cyclic operation</i> (fan) fan always on in <i>cooling</i> mode in response to a request in <i>heating</i> mode • 3 = (fan) fan always on in <i>cooling</i> mode in response to a request in <i>heating</i> mode • 4 = (fan) fan always on in <i>heating</i> mode in response to a request in <i>cooling</i> mode
Pa P02	Delay between pump ON and compressor ON May be used to set a delay between starting a pump and starting a compressor. Expressed in seconds.
Pa P03	Delay between compressor OFF and pump OFF May be used to set a delay between turning off a compressor and turning off a pump. Expressed in seconds.
	11.1.5 Anti-freeze/boiler parameters (FRO)
Pa r01	Configuration of electrical heaters in defrost mode Determines electrical heater operation during <i>defrosting</i> <ul style="list-style-type: none"> • 0=come on only in response to a request from the regulation algorithm • 1=always on during <i>defrosting</i>
Pa r02	Configuration of electrical heaters on in cooling mode Determines electrical heater operation in <i>cooling</i> mode <ul style="list-style-type: none"> • 0=off during <i>cooling</i> • 1=on during <i>cooling</i> (in response to anti-freeze electrical heater regulation algorithm)
Pa r03	Configuration of electrical heaters on in heating mode Determines electrical heater operation in <i>heating</i> mode <ul style="list-style-type: none"> • 0=off during <i>heating</i> • 1= on during <i>heating</i> (in response to anti-freeze electrical heater regulation algorithm)
Pa r04	Configuration of anti-freeze electrical heater control probe in heating mode Determines electrical heater control probe in <i>heating</i> mode <ul style="list-style-type: none"> • 0= Controls on the basis of probe AI1 • 1= Controls on the basis of probe AI2
Pa r05	Configuration of anti-freeze electrical heater control probe in cooling mode Determines electrical heater control probe in <i>cooling</i> mode <ul style="list-style-type: none"> • 0= Controls on the basis of probe AI1 • 1= Controls on the basis of probe AI2
Pa r06	Configuration of electrical heaters when OFF or on stand-by Determines the status of electrical heaters when the instrument is OFF or on <i>stand-by</i> <ul style="list-style-type: none"> • 0=Always off when OFF or on <i>stand-by</i> • 1=On when OFF or on <i>stand-by</i> (in response to anti-freeze electrical heater control algorithm)
Pa r07	Set point of anti-freeze electrical heaters in heating mode Temperature value below which anti-freeze electrical heaters come on in <i>heating</i> mode.
Pa r08	Set point of anti-freeze electrical heaters in cooling mode Temperature value below which anti-freeze electrical heaters come on in <i>cooling</i> mode.
Pa r09	Maximum set point of anti-freeze electrical heaters Determines the maximum setting of the anti-freeze electrical heater <i>set point</i> .

- Pa r10** **Minimum *set point* of anti-freeze electrical heaters**
Determines the minimum setting of the anti-freeze electrical heater *set points*.
- Pa r11** **Anti-freeze heater *hysteresis***
Anti-freeze electrical heater control algorithm *hysteresis*.
- Pa r12** ***Set point* of external anti-freeze electrical heaters**
Temperature below which *external anti-freeze electrical heaters* come on.
- Pa r13** **Outdoor temperature *set point* for boiler on**
The temperature below which the *boiler* is turned on and the heat pump is turned off.
- Pa r14** **Boiler off differential**
Boiler off differential. If outdoor temperature exceeds *Pa r14+Pa r13*, the *boiler* will be turned off and the heat pump will be turned on.
- Pa r15** **Supplementary electrical heater control**
If this parameter =1 the electrical heaters have the double function of anti-freeze electrical heaters and supplementary heaters
Otherwise (*Pa r15*=0) the electrical heaters have only the anti-freeze function

11.1.6 Defrost parameters (DFR)

- Pa d01** **Defrost enabled**
0= defrost function enabled
1= defrost function enabled
- Pa d02** **Defrost start temperature/pressure**
Temperature/pressure below which the defrost cycle is started.
- Pa d03** **Defrost interval (response time)**
Duration for which probe remains below *defrost start* temperature/pressure. Expressed in minutes.
- Pa d04** **Defrost end temperature/pressure**
Temperature/pressure above which *defrost ends*.
- Pa d05** **Maximum defrost time (time-out)**
Maximum duration of *defrosting*. Expressed in minutes.
- Pa d06** **Compressor-reversing valve wait time (anti-bleeding)**
Wait time between compressor going off and reversal of the 4-way valve at the beginning of the defrost cycle.
- Pa d07** **Drip time**
Wait time at the end of the defrost cycle between turning off the compressor and reversing the 4-way valve.
- Pa d08** **Temperature at which *defrost starts* if *Pa H49*= 1**
Temperature below which the defrost cycle is started.
- Pa d09** **Temperature at which *defrost ends* if *Pa H49*=1**
Temperature above which the defrost cycle is ended.

Only for models Ech 2xxB:

- Pa d10** **Enable defrost compensation**
See compensation temperature at *defrost start*
- Pa d11** **Defrost temperature/pressure compensation offset**
See compensation temperature at *defrost start*
- Pa d12** **Defrost temperature/pressure compensation *set point***
See compensation temperature at *defrost start*
- Pa d13** **Defrost temperature/pressure compensation delta**
See compensation temperature at *defrost start*

11.2 Table of parameters

All "Ech 200" *parameters* are listed in the table below.

The *parameters* in gray are valid only for the models Ech 2xxB

Configuration parameters

CONFIGURATION PARAMETERS*			
Par.	Description	Limits	Unit of measurement
<i>Pa G01</i>	"Cooling" <i>set point</i>		
<i>Pa G02</i>	"Heating" <i>set point</i>		
<i>Pa H01</i>	Maximum <i>set point</i> during <i>heating</i>	<i>Pa H02</i> ÷ 90.0	°C
<i>Pa H02</i>	Minimum <i>set point</i> during <i>heating</i>	-40.0 ÷ <i>Pa H01</i>	°C
<i>Pa H03</i>	Maximum <i>set point</i> during <i>cooling</i>	<i>Pa H04</i> ÷ 90.0	°C
<i>Pa H04</i>	Minimum <i>set point</i> during <i>cooling</i>	-40.0 ÷ <i>Pa H03</i>	°C
<i>Pa H05</i>	AI1 Configuration	0 ÷ 4 (5)	Num
<i>Pa H06</i>	AI2 Configuration	0 ÷ 3	Num
<i>Pa H07</i>	AI3 Configuration	0 ÷ 5	Num
<i>Pa H08</i>	AI4 Configuration	0 ÷ 3 (4)	Num
<i>Pa H09</i>	Bottom of scale pressure value	0-350	kPa*10
<i>Pa H10</i>	Polarity ID1	0 ÷ 1	Flag
<i>Pa H11</i>	Polarity ID2	0 ÷ 1	Flag
<i>Pa H12</i>	Polarity ID3	0 ÷ 1	Flag
<i>Pa H13</i>	Polarity ID4	0 ÷ 1	Flag
<i>Pa H14</i>	Polarity ID5	0 ÷ 1	Flag
<i>Pa H15</i>	Polarity AI1	0 ÷ 1	Flag
<i>Pa H16</i>	Polarity AI2	0 ÷ 1	Flag
<i>Pa H17</i>	Polarity AI4	0 ÷ 1	Flag

Pa H18	Configuration ID3	0 ÷ 6	Num
Pa H19	Configuration ID4	0 ÷ 6	Num
Pa H20	Configuration ID5	0 ÷ 6	Num
Pa H21	Configuration A14 if digital input	0 ÷ 6	Num
Pa H22	Configuration relay 2	0 ÷ 1	Num
Pa H23	Configuration relay 3	0 ÷ 2	Num
Pa H24	Configuration relay 4	0 ÷ 2	Num
Pa H25	Optional analogue output configuration	0 ÷ 2	Num
Pa H26	Configuration of serial protocol (not used)	0 ÷ 1	Num
Pa H27	Selection of operating mode	0 ÷ 2	Num
Pa H28	Presence of heat pumpt	0 ÷ 1	Flag
Pa H29	Heating mode set point	0 ÷ 255	°C
Pa H30	Mode selection differential	0 ÷ 25.5	°C
Pa H31	Enable dynamic set point	0 ÷ 1	Flag
Pa H32	Dynamic set point offset in cooling mode	-12.7 ÷ 12.7	°C
Pa H33	Dynamic set point offset in heating mode	-12.7 ÷ 12.7	°C
Pa H34	Outdoor temperature set point in cooling mode	0 ÷ 255	°C
Pa H35	Outdoor temperature set point in heating mode	0 ÷ 255	°C
Pa H36	Outdoor temp. dynamic set point differential in cooling	-25.5 ÷ 25.5	°C
Pa H37	Outdoor temp. dynamic set point differential in heating	-25.5 ÷ 25.5	°C
Pa H38	Reversing valve polarity	0 ÷ 1	Flag
Pa H39	Offset AI1	-12.7 ÷ 12.7	°C
Pa H40	Offset AI2	-12.7 ÷ 12.7	°C
Pa H41	Offset AI3	-12.7 ÷ 12.7	°C/10 - kPa*10
Pa H42	Offset AI4	-12.7 ÷ 12.7	°C
Pa H43	Mains frequency	0 ÷ 1	Flag
Pa H44	Family serial address	0 ÷ 14	Num.
Pa H45	Device serial address	0 ÷ 14	Num.
Pa H46	User password	0 ÷ 255	Num.
Pa H47	Copy card write password	0 ÷ 255	Num.
Pa H48	Number of compressors per circuit	1 ÷ 2	Num.
Pa H49	Enable pressure/temperature based operation	0÷2	Num.
Pa H50	Compressor on sequence	0÷1	Num.
Pa H51	Compressor 2 or capacity step polarity	0÷1	Num.
Pa H52	Selection of degrees °C or °F	0÷1	Num.
Pa H53	SET display for air/air machine	0÷1	Num.
Pa H54	Customer Code 1	0÷999	Num.
Pa H55	Customer Code 2	0÷999	Num.
Pa H56	Polarity of relay alarm	0÷1	Num.
Pa H57	Enable relay alarm in off position	0÷1	Num.

- If [parameters](#) in this category are modified, the controller must be turned off after the modification and turned on again to guarantee correct functioning.

Table of compressor parameters (CP)

COMPRESSOR PARAMETERS			
Par.	Description	Limits	Unit of measurement
Pa C01	ON-OFF safety time	0 ÷ 255	Seconds*10
Pa C02	ON-ON safety time	0 ÷ 255	Seconds*10
Pa C03	Cooling regulation algorithm hysteresis	0 ÷ 25.5	°C
Pa C04	Heating regulation algorithm hysteresis	0 ÷ 25.5	°C
Pa C05	Regulation algorithm step intervention differential	0 ÷ 25.5	°C
Pa C06	Compressor 1 – compressor 2 (step) on interval	0 ÷ 255	Seconds
Pa C07	Compressor 1 – compressor 2 (step) off interval	0 ÷ 255	Seconds

Table of parameters: fan control parameters (FAN)

FAN PARAMETES			
Par.	Description	Limits	Unit of measurement
Pa F01	Fan output configuration	0 ÷ 3	Num.
Pa F02	Fan pick-up time	0 ÷ 255	Seconds/10
Pa F03	Fan phase shift	0 ÷ 100	µs*200
Pa F04	Impulse duration of triac on	0 ÷ 255	µs*200
Pa F05	Functioning in response to compressor request	0 ÷ 1	Flag
Pa F06	Minimum speed during cooling	0 ÷ 100	%
Pa F07	Silent speed during cooling	0 ÷ 100	%
Pa F08	Minimum fan speed temperature/pressure set point during cooling	-500 ÷ 800	°C/10–kPa*10
Pa F09	Prop. band during cooling	0 ÷ 255	°C/10–kPa*10
Pa F10	Cut-off differential	0 ÷ 255	°C/10–kPa*10
Pa F11	Cut-off hysteresis	0 ÷ 255	°C/10–kPa*10
Pa F12	Cut-off bypass time	0 ÷ 255	Seconds
Pa F13	Maximum speed during cooling	0 ÷ 100	%
Pa F14	Maximum fan speed temperature/pressure set point in cooling mode	-500 ÷ 800	°C/10–kPa*10
Pa F15	Minimum speed during heating	0 ÷ 100	%

<i>Pa F16</i>	<i>Silent speed</i> during <i>heating</i>	0 ÷ 100	%
<i>Pa F17</i>	Minimum fan speed temperature/pressure <i>set point</i> during <i>heating</i>	-500 ÷ 800	°C/10-kPa*10
<i>Pa F18</i>	Proportional band during <i>heating</i>	0 ÷ 255	°C/10-kPa*10
<i>Pa F19</i>	Maximum speed during <i>heating</i>	0 ÷ 100	%
<i>Pa F20</i>	Maximum fan speed temperature/pressure <i>set point</i> during <i>heating</i>	-500 ÷ 800	°C/10-kPa*10
<i>Pa F21</i>	<i>Internal fan</i> step differential	0 ÷ 25.5	°C
<i>Pa F22</i>	<i>Internal fan</i> step <i>hysteresis</i>	0 ÷ 25.5	°C
<i>Pa F23</i>	Hot start <i>set point</i>	0 ÷ 255	°C
<i>Pa F24</i>	Hot start <i>hysteresis</i>	0 ÷ 25.5	°C
<i>Pa F25</i>	Preventilation in <i>cooling</i> mode	0 ÷ 255	Seconds

Table of parameters: alarm parameters (ALL)

ALARM PARAMETERS			
Par.	Description	Limits	Unit of measurement
<i>Pa A01</i>	Low pressure pressure switch bypass time after comp. on	0 ÷ 255	Seconds
<i>Pa A02</i>	Low pressure <i>alarm events per hour</i>	0 ÷ 255	Num
<i>Pa A03</i>	Bypass flow switch after pump on	0 ÷ 255	Seconds
<i>Pa A04</i>	Duration of active flow switch input	0 ÷ 255	Seconds
<i>Pa A05</i>	Duration of inactive flow switch input	0 ÷ 255	Seconds
<i>Pa A06</i>	Number of flow switch <i>alarm events per hour</i>	0 ÷ 255	Num
<i>Pa A07</i>	Compressor thermal switch bypass following comp. on	0 ÷ 255	Seconds
<i>Pa A08</i>	Compressor 1/2 thermal switch <i>alarm events per hour</i>	0 ÷ 255	Num
<i>Pa A09</i>	Fan thermal switch <i>alarm events per hour</i>	0 ÷ 255	Num
<i>Pa A10</i>	Anti-freeze <i>alarm</i> bypass after ON-OFF	0 ÷ 255	Minutes
<i>Pa A11</i>	Anti-freeze <i>alarm set point</i>	-127 ÷ 127	°C
<i>Pa A12</i>	Anti-freeze <i>alarm hysteresis</i>	0 ÷ 25.5	°C
<i>Pa A13</i>	Anti-freeze <i>alarm events per hour</i>	0 ÷ 255	Num
<i>Pa A14</i>	Analogue input high pressure <i>set point</i>	0 ÷ 900	°C/10 - kPa*10
<i>Pa A15</i>	Analogue input high pressure <i>hysteresis</i>	0 ÷ 255	°C/10-kPa*10
<i>Pa A16</i>	Analogue input low pressure bypass	0 ÷ 255	Seconds
<i>Pa A17</i>	Analogue input low pressure <i>set point</i>	-500 ÷ 800	°C/10-kPa*10
<i>Pa A18</i>	Analogue input low pressure <i>hysteresis</i>	0 ÷ 255	°C/10 - kPa*10
<i>Pa A19</i>	Analogue input low pressure <i>alarm events per hour</i>	0 ÷ 255	Num
<i>Pa A20</i>	Machine out of coolant differential	0 ÷ 255	°C
<i>Pa A21</i>	Machine out of coolant bypass	0 ÷ 255	Minutes
<i>Pa A22</i>	Machine out of coolant duration	0 ÷ 255	Minutes
<i>Pa A23</i>	Machine out of coolant <i>alarm</i> activation	0 ÷ 1	Flag
<i>Pa A24</i>	Enable low pressure <i>alarm</i> during <i>defrosting</i>	0 ÷ 1	Flag
<i>Pa A25</i>	Over-temperature <i>set point</i>	0 ÷ 255	°C
<i>Pa A26</i>	Over-temperature ON duration	0 - 255	Seconds*10

Table of parameters: pump parameters (PUP)

PUMP PARAMETERS			
Par.	Description	Limits	Unit of measurement
<i>Pa P01</i>	Pump operating mode Pump or fan operating mode	0 ÷ 2 (0 ÷ 4)	Num.
<i>Pa P02</i>	Delay between pump ON and compressor ON	0 ÷ 255	Seconds
<i>Pa P03</i>	Delay between compressor OFF and pump OFF	0 ÷ 255	Seconds

Table of parameters: Anti-freeze/boiler parameters (FRO)

ANTI-FREEZE/BOILER PARAMETERS			
Par.	Description	Limits	Unit of measurement
<i>Pa r01</i>	Configuration of electrical heaters in defrost mode	0 ÷ 1	Flag
<i>Pa r02</i>	Configuration of electrical heaters on in <i>cooling</i> mode	0 ÷ 1	Flag
<i>Pa r03</i>	Configuration of electrical heaters on in <i>heating</i> mode	0 ÷ 1	Flag
<i>Pa r04</i>	Configuration of anti-freeze electrical heater control probe in <i>heating</i> mode	0 ÷ 1	Flag
<i>Pa r05</i>	Configuration of anti-freeze electrical heater control probe in <i>cooling</i> mode	0 ÷ 1	Flag
<i>Pa r06</i>	Configuration of electrical heaters when OFF or on <i>stand-by</i>	0 ÷ 1	Flag
<i>Pa r07</i>	<i>Set point</i> of anti-freeze electrical heaters in <i>heating</i> mode	<i>Pa r09+Pa r10</i>	°C
<i>Pa r08</i>	<i>Set point</i> of anti-freeze electrical heaters in <i>cooling</i> mode	<i>Pa r09+Pa r10</i>	°C
<i>Pa r09</i>	Maximum <i>set point</i> of anti-freeze electrical heaters	<i>Pa r10</i> -127	°C
<i>Pa r10</i>	Minimum <i>set point</i> of anti-freeze electrical heaters	-127÷ <i>Pa r09</i>	°C
<i>Pa r11</i>	Anti-freeze heater <i>hysteresis</i>	0 ÷ 25.5	°C
<i>Pa r12</i>	<i>Set point</i> of <i>external anti-freeze electrical heaters</i>	<i>Pa r09+Pa r10</i>	°C
<i>Pa r13</i>	Outdoor temperature <i>set point</i> for <i>boiler</i> on	-127 ÷ 127	°C
<i>Pa r14</i>	Outdoor temperature differential for <i>boiler</i> off	0 ÷ 25.5	°C
<i>Pa r15</i>	Enable <i>supplementary electrical heaters</i>	0 ÷ 1	Flag

Table of parameters: defrost parameters (DFR)

DEFROST <i>PARAMETERS</i>			
Par.	Description	Limits	Unit of measurement
<i>Pa d01</i>	Defrost enabled	0 ÷ 1	Flag
<i>Pa d02</i>	<i>Defrost start</i> temperature/pressure	-500 ÷ 800	°C/10 - kPa*10
<i>Pa d03</i>	Defrost interval (response time)	0 ÷ 255	Minutes
<i>Pa d04</i>	<i>Defrost end</i> temperature/pressure	-500 ÷ 800	°C/10 - kPa*10
<i>Pa d05</i>	Maximum defrost time	0 ÷ 255	Minutes
<i>Pa d06</i>	Compressor- <i>reversing valve</i> wait time	0 ÷ 255	Seconds
<i>Pa d07</i>	Drip time	0 ÷ 255	Seconds
<i>Pa d08</i>	Temperature at which <i>defrost starts</i> if <i>Pa H49</i> = 1	-50.0 ÷ 80.0	°C/10
<i>Pa d09</i>	Temperature at which <i>defrost ends</i> if <i>Pa H49</i> = 1	-500 ÷ 80.0	°C/10
<i>Pa d10</i>	Enable defrost compensation	0 ÷ 1	Flag
<i>Pa d11</i>	Defrost temperature/pressure compensation offset	-255 ÷ 255	°C/10 - kPa*10
<i>Pa d12</i>	Defrost temperature/pressure compensation <i>set point</i>	-127 ÷ 127	°C
<i>Pa d13</i>	Defrost temperature/pressure compensation delta	-25.5 ÷ 25.5	°C

12 TECHNICAL FEATURES

12.1 Technical information

	Typical	Min.	Max.
Power supply tension	12V~	10V~	14V~
Power supply frequency	50Hz/60Hz	---	---
Power	5VA	---	---
Isolation class	1	---	---
Use environment temperature	25°C	-10°C	60°C
Use environment humidity (non-condensing)	30%	10%	90%
Stocking environment temperature	25°C	-20°C	85°C
Stocking environment humidity (non-condensing)	30%	10%	90%

12.2 Electromagnetic characteristic

Digital exits 120/240 V	<ul style="list-style-type: none"> n° 4 relais 2A ¼ hp 240V~; 1/8 hp 120V~ WARNING: The TOTAL current on relay must NOT exceed 8A 1 <i>TRIAC</i> 2 A
Exits 24 V~	<ul style="list-style-type: none"> 1 <i>TRIAC</i> non optic insulation entry maximum 500 mA.
<i>Analogue inputs</i>	<ul style="list-style-type: none"> 3 temperature sensors, reading field -30°C ÷ 90°C; 1 configurable input: 4...20 mA transducer or temperature sensor, reading field -30°C ÷ 90°C;
<i>Digital inputs</i>	<ul style="list-style-type: none"> n° 5 Voltage-free <i>digital inputs</i>
Terminals and connectors	<ul style="list-style-type: none"> 1 quick coupling 9-ways connector high voltage AWG 16-28 1 quick coupling 16-ways connector low voltage pitch 4,2, AWG 16-28 1 5-ways p2,5 connector remote control and foreign key scheduling, AWG 24-30 1 3-ways p2 3 connector <i>remote keyboard</i> or optional relay, AWG 22-30;
<i>Display and led</i>	<ul style="list-style-type: none"> 3 digit + sign; 5 red leds
<i>Keys</i>	<ul style="list-style-type: none"> 2 <i>keys</i>
Serials	<ul style="list-style-type: none"> n° 1 9600 serial n° 1 2400 serial (<i>keyboard</i> output)

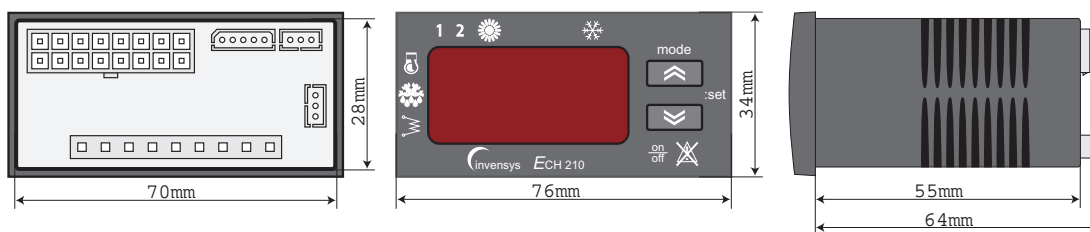
Current transformer

Turn the power on to the instrument using an appropriate *current transformer* with the following features:

- Primary voltage: 230V~±10%; 110V~±10%
- Secondary voltage: 12V~
- Power supply frequency: 50Hz; 60Hz
- Power: 5VA;

12.3 Dimensions

- *Dimensions:* 76x34x58mm
- Container: PC+ABS plastic resin with V0 extinguishing classification
- Assembly: Panel , on 71x29mm hole



Regulations

The product meets the following CEE Directives:

- 73/23/CEE Council directive and subsequent modifications
- 89/336/CEE Council directive and subsequent modifications

and meets the requirements of the following Armonised *regulations*

- LOW VOLTAGE: EN60730
- EMISSION : EN50081-1 (EN55022)
- IMMUNITY : EN50082-2 (IEC 1000-4-2/3/4/5)

13 USE OF THE DEVICE

13.1 Permitted use

This product is used to control single circuit chillers and heat pumps.

To ensure safety, the controller must be installed and operated in accordance with the instructions supplied, and access to high voltage components must be prevented under regular operating conditions. The device shall be properly protected against water and dust and shall be accessible by using a tool only. The device is suitable for incorporation in a household appliance and/or similar air conditioning device.

According to the reference *regulations*, it is classified:

- In terms of construction, as an automatic electronic control device to be incorporated with independent assembly or integrated;
- In terms of automatic operating features, as a type 1 action control device, with reference to manufacturing tolerances and drifts;
- As a class 2 device in relation to protection against electrical shock;
- As a class A device in relation to software structure and class.

13.2 Forbidden use

Any use other than the *permitted use* is forbidden.

Please note that relay contacts supplied are functional and are subject to fault (in that they are controlled by an electronic component and be shorted or remain open); protection devices recommended by product standards or suggested by common sense in response to evident safety requirements shall be implemented outside of the instrument.

14 RESPONSIBILITY AND RESIDUAL RISKS

Invensys shall not be held liable for any damage incurred as a result of:

- *installation*/use other than those intended, and, in particular, failure to comply with the safety instructions specified by applicable *regulations* and/or provided in this document;
- use with equipment which does not provide adequate protection against electric shocks, water and dust under the effective conditions of *installation*;
- use with equipment which permits access to hazardous parts without the use of tools;
- *installation*/use with equipment which does not comply with current *regulations* and legislation.

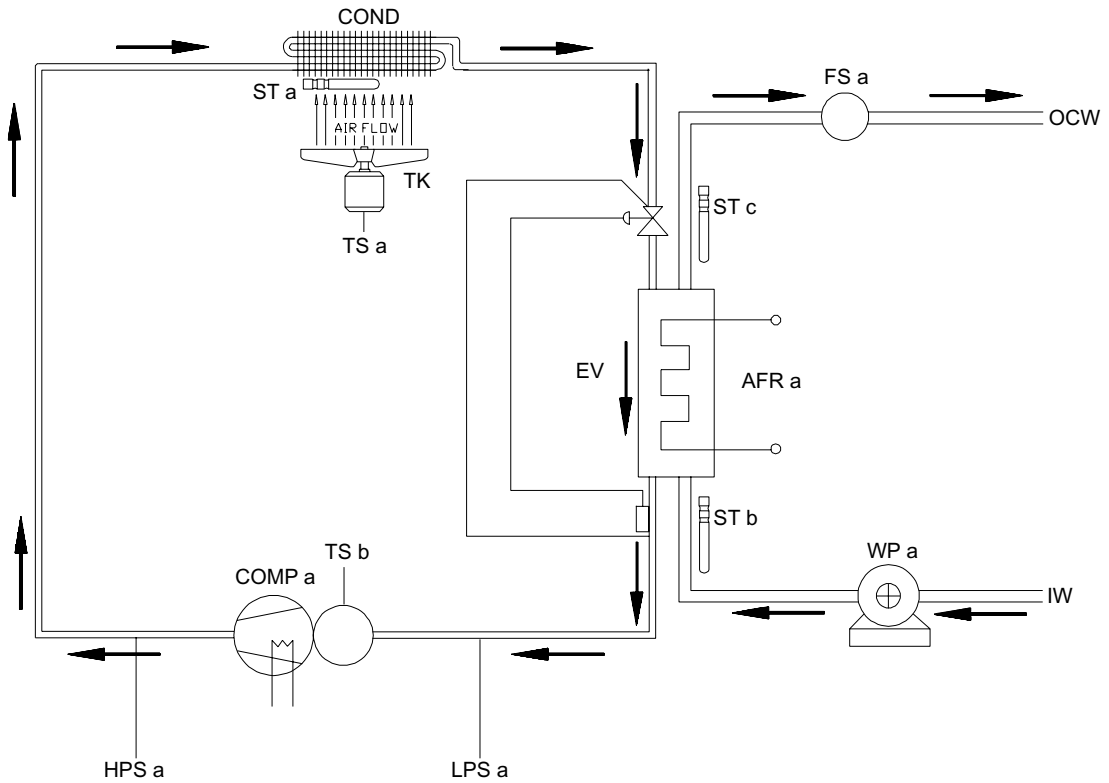
15 DISCLAIMER

This manual and its *contents* remain the sole property of **Invensys Controls Italy s.r.l.** and shall not be reproduced or distributed without authorization. Although great care has been exercised in the preparation of this document, **Invensys Controls Italy s.r.l.**, its employees or its vendors, cannot accept any liability whatsoever connected with its use **Invensys Controls Italy s.r.l.** reserves the right to make any changes or improvements without prior notice.

16 EXAMPLES OF AIR CONDITIONING CIRCUITS

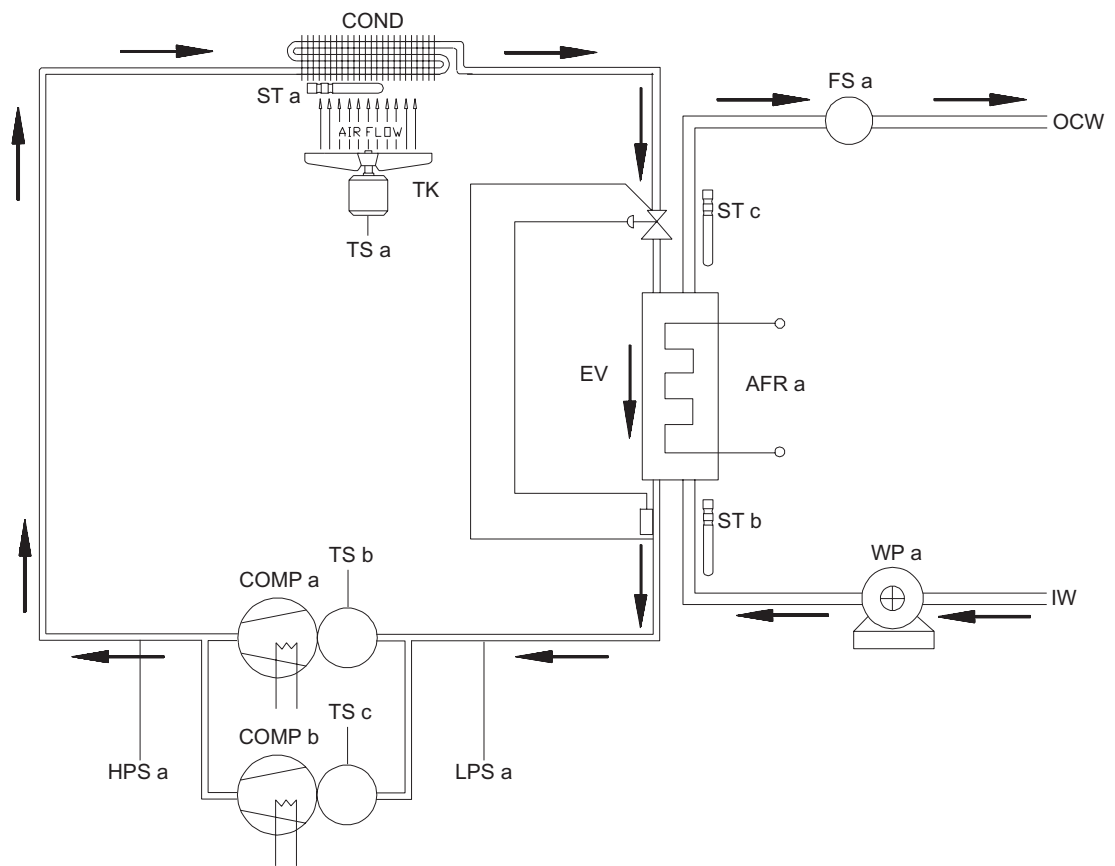
The following chapter reports the main air-conditioning diagrams in their standard configuration. Obviously the manufacturer can decide to set the system in customized way.

16.1 Air-water chiller 1 compressor



SYMBOL	ELEMENT	CONNECTION
COND	condenser	
EV	evaporator	
AFR a	primary circuit anti-freeze resistance	NO4
HPS a	high pressure switch	ID1
LPS a	low pressure switch	ID2
TS a	fan thermal switch	ID4
TS b	compressor thermal switch	ID3
ST a	secondary circuit anti-freeze probe	A13
ST b	primary circuit inflowing water probe	A11
ST c	primary circuit outflowing water probe	A12
FS a	primary circuit flow switch	ID5
COMP a	compressor	NO1
WP a	primary circuit water pump	NO2
OCW	outflowing cold water	
IW	inflowing water	

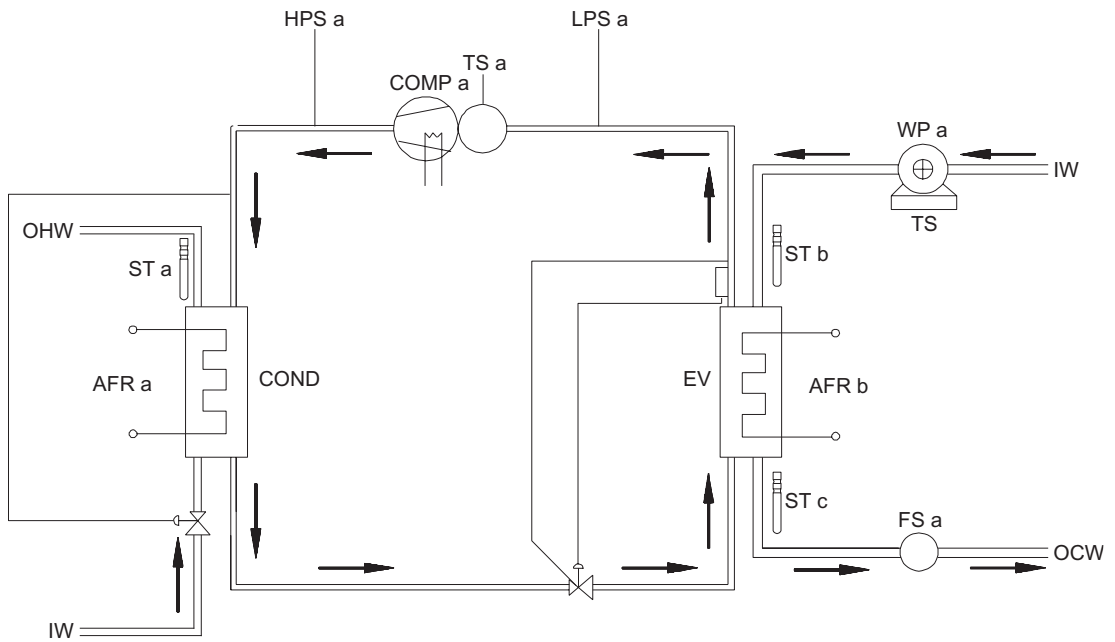
16.2 Air-water chiller 2 compressor



SYMBOL	ELEMENT	CONNECTION
COND	condenser	
EV	evaporator	
AFR a	primary circuit anti-freeze resistance	NO4
HPS a	high pressure switch	ID1
LPS a	low pressure switch	ID2
TS a	fan thermal switch	ID4
TS b	compressor 1 thermal switch	ID3
TS c	compressor 2 thermal switch	AI4 ^(*)
ST a	secondary circuit anti-freeze probe	AI3
ST b	primary circuit inflowing water probe	AI1
ST c	primary circuit outflowing water probe	AI2
FS a	primary circuit flow switch	ID5
COMP a	Compressor 1	NO1
COMP b	Compressor 2	NO3
WP a	primary circuit water pump	NO2
OCW	outflowing cold water	
IW	inflowing water	

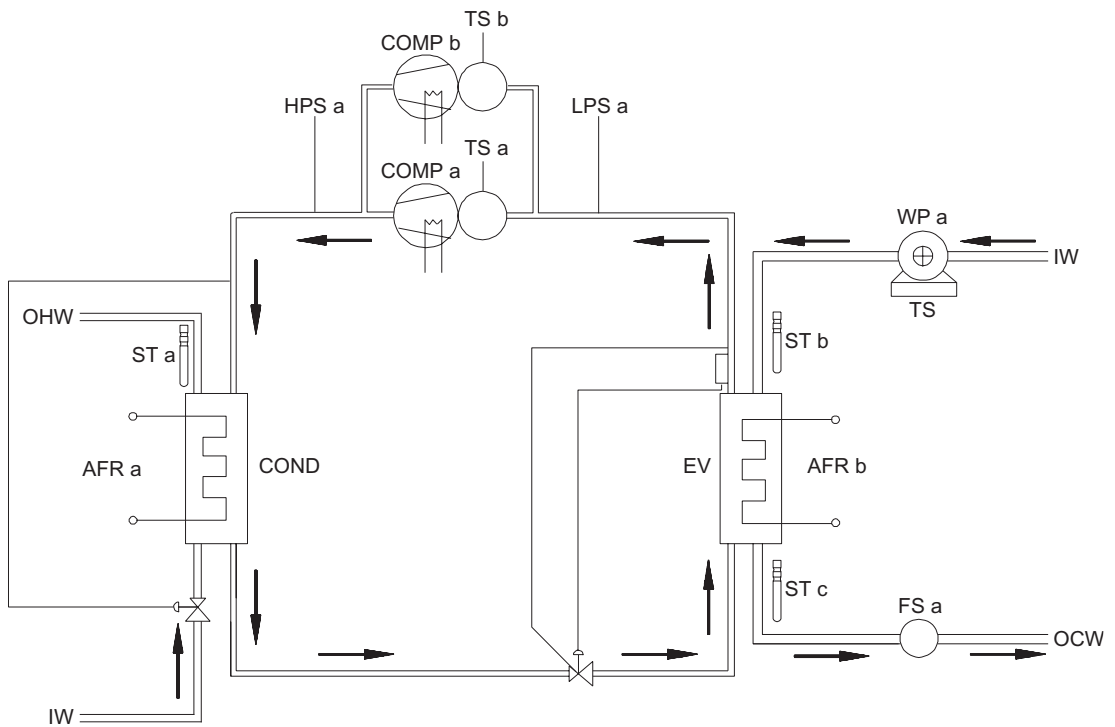
(*) With AI4 configured as digital input.

16.3 Water-water Chiller 1 compressor



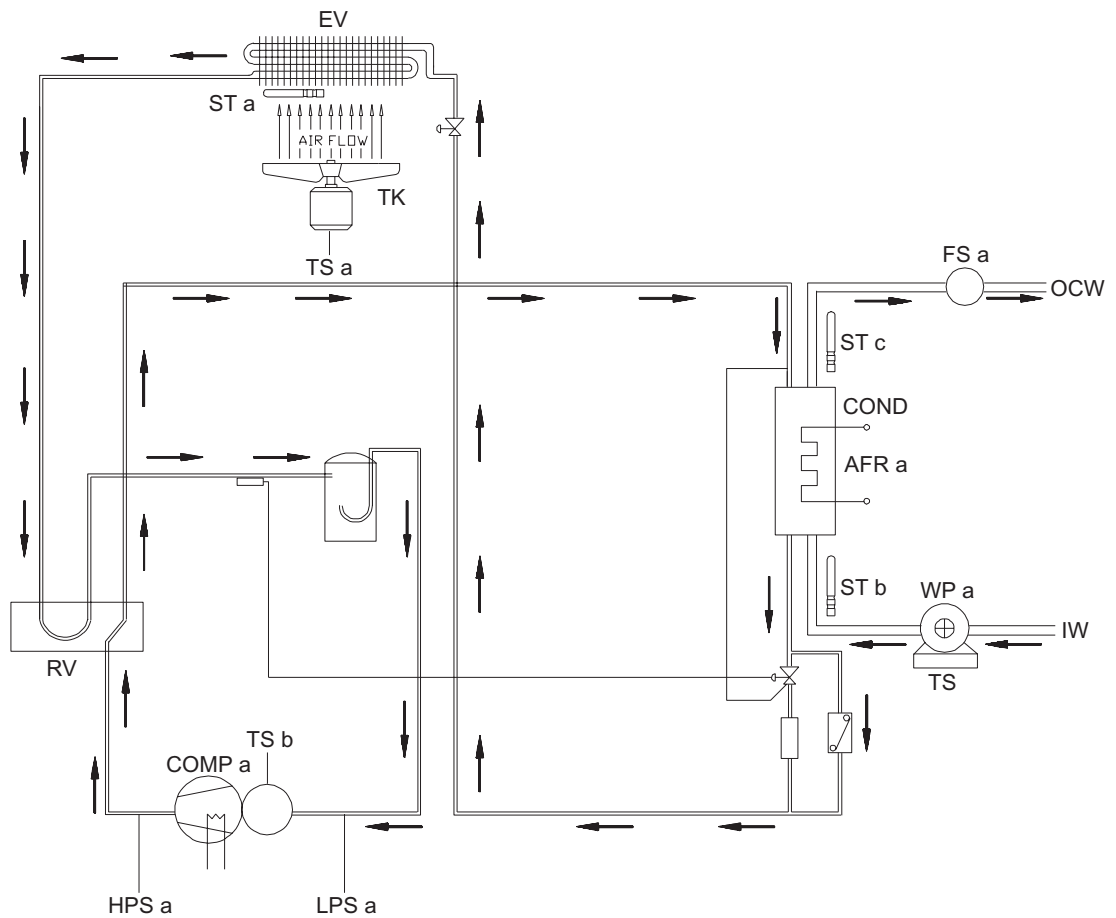
SYMBOL	ELEMENT	CONNECTION
COND	condenser	
EV	evaporator	
AFR a	secondary circuit anti-freeze resistance	NO5 (TK)
AFR b	primary circuit anti-freeze resistance	NO4
HPS a	high pressure switch	ID1
LPS a	low pressure switch	ID2
TS a	compressor thermal switch	ID3
TS	thermal switch	
ST a	secondary circuit anti-freeze probe	AI3
ST b	primary circuit inflowing water probe	AI1
ST c	primary circuit outflowing water probe	AI2
FS a	primary circuit flow switch	ID5
COMP a	compressor	NO1
WP a	primary circuit water pump	NO2
IW	inflowing water	
OCW	outflowing cold water	
OHW	outflowing hot water	

16.4 Water-water Chiller 2 compressor



SYMBOL	ELEMENT	CONNECTION
COND	condenser	
EV	evaporator	
AFR a	secondary circuit anti-freeze resistance	NO5 (TK)
AFR b	primary circuit anti-freeze resistance	NO4
HPS a	high pressure switch	ID1
LPS a	low pressure switch	ID2
TS a	compressor 1 thermal switch	ID3
TS b	compressor 2 thermal switch	ID4
TS	thermal switch	
ST a	secondary circuit anti-freeze probe	AI3
ST b	primary circuit inflowing water probe	AI1
ST c	primary circuit outflowing water probe	AI2
FS a	primary circuit flow switch	ID5
COMP a	compressor 1	NO1
COMP b	compressor 2	NO3
WP a	primary circuit water pump	NO2
OCW	outflowing cold water	
IW	inflowing water	
OHW	outflowing hot water	

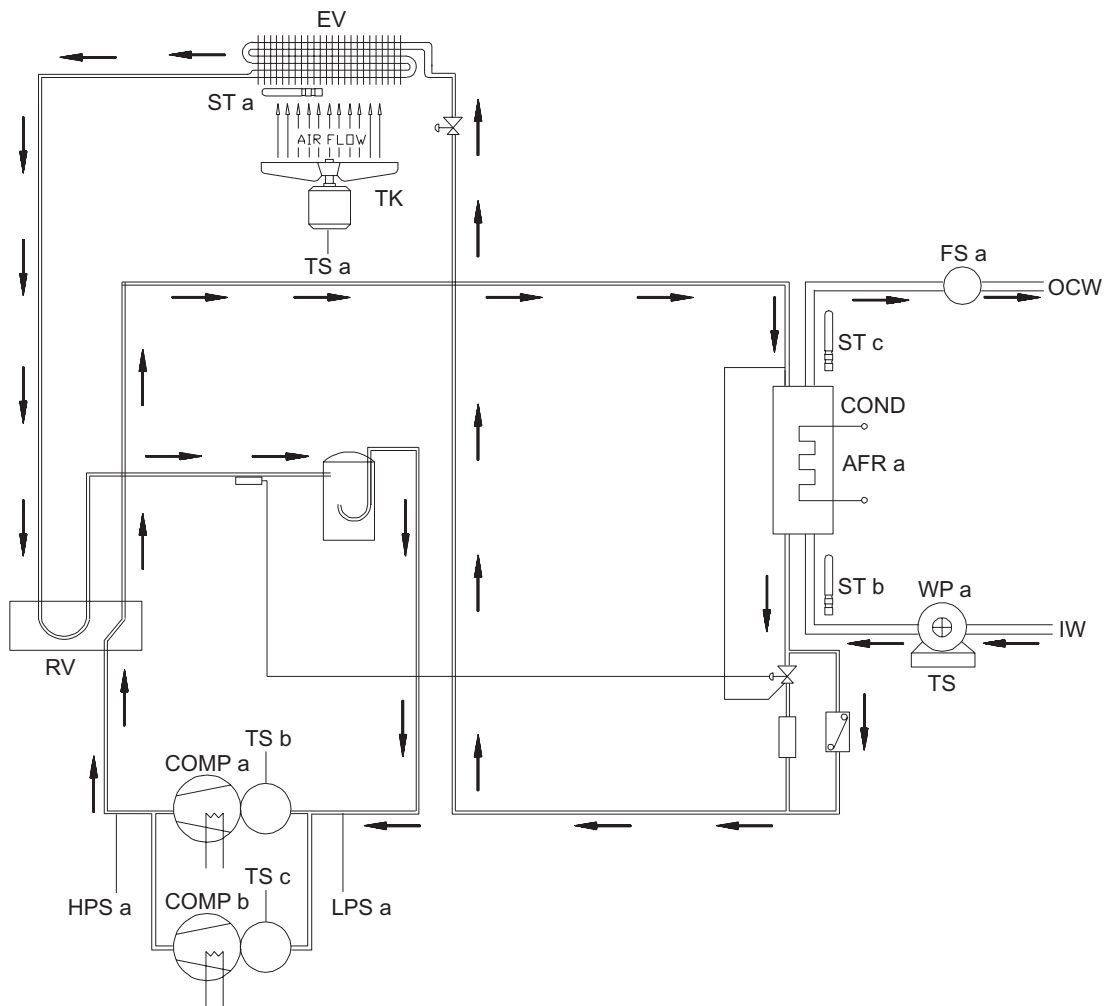
16.5 Air-water heat pump 1 compressor



SYMBOL	ELEMENT	CONNECTION
COND	condenser	
EV	evaporator	
AFR a	primary circuit anti-freeze resistance	NO4
HPS a	high pressure switch	ID1
LPS a	low pressure switch	ID2
TS a	fan thermal switch	ID4
TS b	compressor thermal switch	ID3
TS ^(*)	thermal switch	
ST a	secondary circuit probe	AI3
ST b	primary circuit inflowing water probe	AI1
ST c	primary circuit outflowing water probe	AI2
FS a	primary circuit flow switch	ID5
COMP a	compressor	NO1
RV	reversing valve	NO3
WP a	primary circuit water pump	NO2
IW	inflowing water	
OCW	outflowing cold water	

(*) Interposing this digital input to the pump feeding is recommended. In case of thermal *alarm*, the flow switch will stop the machine.

16.6 Air-water heat pump 2 compressors

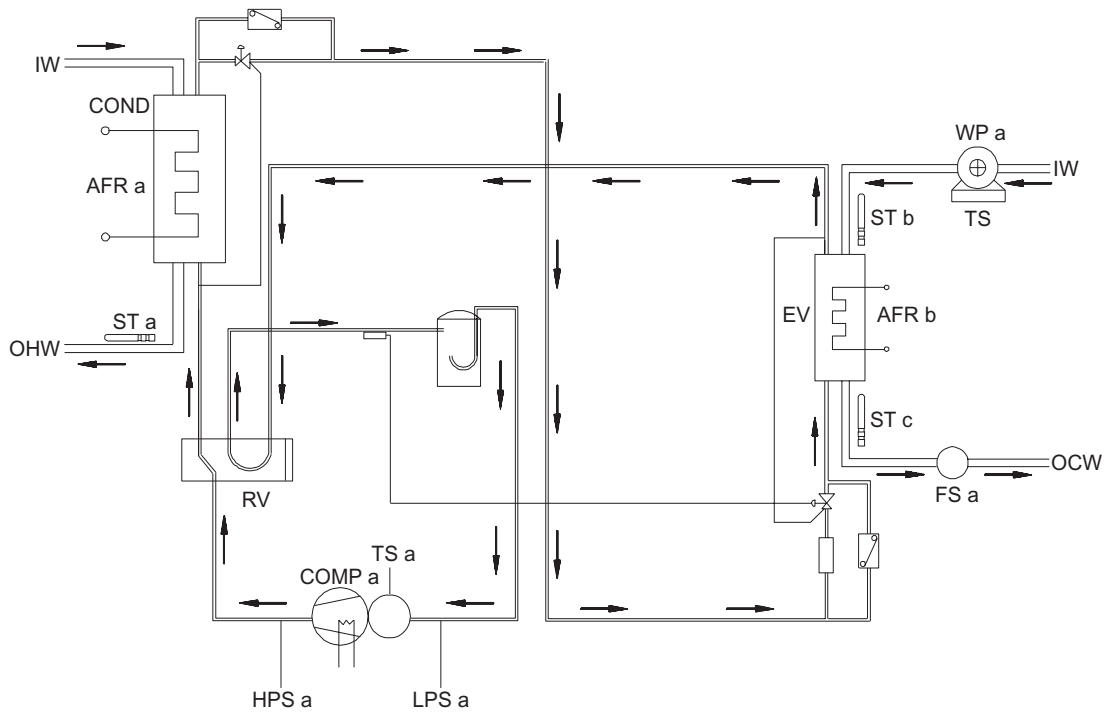


SYMBOL	ELEMENT	CONNECTION
COND	condenser	
EV	evaporator	
AFR a	primary circuit anti-freeze resistance	NO4
HPS a	high pressure switch	ID1
LPS a	low pressure switch	ID2
TS a	fan thermal switch	ID4
TS b	compressor 1 thermal switch	ID3
TS c	compressor 2 thermal switch	AI4 ^(*)
TS	thermal switch	
ST a	secondary circuit probe	AI3
ST b	primary circuit inflowing water probe	AI1
ST c	primary circuit outflowing water probe	AI2
FS a	primary circuit flow switch	ID5
COMP a	compressor 1	NO1
COMP b	compressor 2	EXP ^(**)
RV	reversing valve	NO3
WP a	primary circuit water pump	NO2
IW	inflowing water	
OCW	outflowing cold water	

^(*) With AI4 configured as digital input.

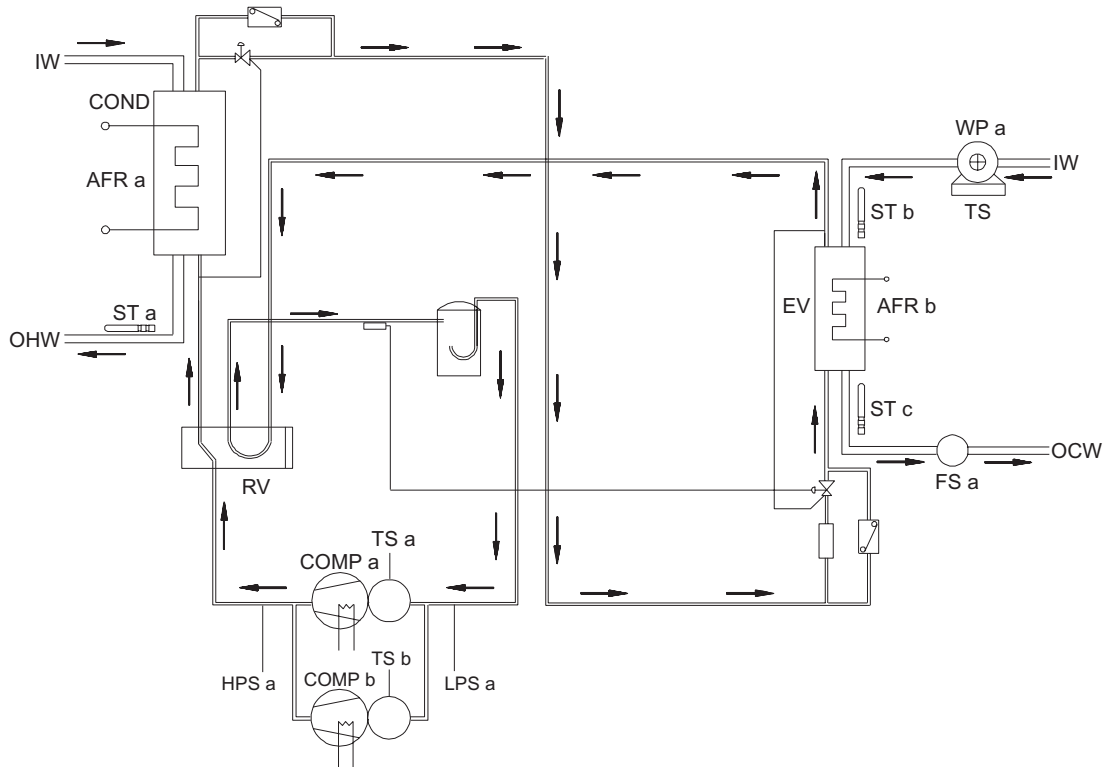
^(**) Connection on extension.

16.7 Water-water heat pump 1 compressor



SYMBOL	ELEMENT	CONNECTION
COND	condenser	
EV	evaporator	
AFR a	secondary circuit anti-freeze resistance	NO5 (TK)
AFR b	primary circuit anti-freeze resistance	NO4
HPS a	high pressure switch	ID1
LPS a	low pressure switch	ID2
TS a	compressor thermal switch	ID3
TS	thermal switch	
ST a	secondary circuit probe	A13
ST b	primary circuit inflowing water probe	A11
ST c	primary circuit outflowing water probe	A12
FS a	primary circuit flow switch	ID5
COMP a	compressor	NO1
RV	<i>reversing valve</i>	NO3
WP a	primary circuit water pump	NO2
IW	inflowing water	
OHW	outflowing hot water	
OCW	outflowing cold water	

16.8 Water-water heat pump 2 compressors



SYMBOL	ELEMENT	CONNECTION
COND	condenser	
EV	evaporator	
AFR a	secondary circuit anti-freeze resistance	NO5 (TK)
AFR b	primary circuit anti-freeze resistance	NO4
HPS a	high pressure switch	ID1
LPS a	low pressure switch	ID2
TS a	compressor 1 thermal switch	ID3
TS b	compressor 2 thermal switch	AI4 ^(*)
TS	thermal switch	
ST a	secondary circuit probe	AI3
ST b	primary circuit inflowing water probe	AI1
ST c	primary circuit outflowing water probe	AI2
FS a	primary circuit flow switch	ID5
COMP a	compressor 1	NO1
COMP b	compressor 2	EXP ^(**)
RV	<i>reversing valve</i>	NO3
WP a	primary circuit water pump	NO2
IW	inflowing water	
OHW	outflowing hot water	
OCW	outflowing cold water	

(*) With AI4 configured as digital input.

(**) Connection on extension.

17 GLOSSARY

Logical OR	Multiple inputs with an OR relationship to one another are equivalent to a single input with the following status: <ul style="list-style-type: none"> • active, if at least one input is active; • Inactive if no input is active
Scroll up	To " <i>Scroll up</i> " a menu means listing the various <i>parameters</i> from the bottom up (Pa08 -> Pa 09 -> Pa 10)
Stand-by	Indicates that the instrument is waiting, in <i>stand-by</i> mode; all <i>functions</i> are suspended.
Reset	Set to zero.
Reset alarm	Resetting an <i>alarm</i> means reactivating it ready for a new signal.
Manual reset	A <i>manual reset alarm</i> must be <i>reset</i> using the <i>keyboard</i> .
Scroll down	To " <i>Scroll up</i> " in a menu is to list <i>parameters</i> from the top down (Pa10 -> Pa 09 -> Pa 08).
BLINK	Means flashing; normally refers to <i>leds</i>
Average number of hours	<i>Average number of hours</i> is the ratio between the total number of hours for which the <i>compressors</i> are available and the number of <i>compressors</i> in the circuit
Loads	Devices in the system, including <i>compressors</i> , fans, <i>hydraulic pump</i> , electrical anti-freeze heaters...
Set Point	A reference value (set by the user) defining the system's operating status, such as the thermostat that controls temperature in the home: if we want to maintain a temperature of 20 °C we set the <i>set point</i> to 20°C (the <i>heating</i> system will come on if the temperature in the house falls below 20°C, and go off if it exceeds this value).
Range	Values falling within a given interval; <i>Range</i> 1...100 indicates all values between 1 and 100
Hysteresis	A <i>hysteresis</i> is normally defined around a <i>set point</i> to prevent frequent oscillation of the change of status of the load being controlled; Example: suppose we have a <i>set point</i> of 20 °C on a probe for measurement of room temperature, above which a compressor will be started up; When room temperature nears the <i>set point</i> (20 °C) there will be an unstable phase during which the relay which starts up the compressor will frequently switch from ON to OFF and vice versa, which could result in serious damage to the system. To prevent this problem a <i>hysteresis</i> is defined: an interval of tolerance within which there will be no change in status; in our example, we could set a <i>hysteresis</i> of 1 °C, in which case the compressor would be started up at 21 °C (<i>set point</i> + <i>hysteresis</i>) and turned off at 19 °C (<i>set point</i> – <i>hysteresis</i>)
Permanent memory	Memory in which data is maintained even when the device is turned off (as distinct from temporary memory, the data in which is lost when the device is turned off.)
Cut-off	It is the change of the operating mode (for example: from <i>Cooling</i> to <i>heating</i>).
Label	The structure of the <i>label</i> shown on an internal face of the device is illustrated below:

BRAND			
PRODUCT NAME			CERTIFICATE
PRODUCT CODE	CUSTOMER REF.		
		POWER SUPPLY	
FIRMWARE	DESTINATION		

The various entries indicated are :

- BRAND : producer's brand
- PRODUCT NAME : name of product
- PRODUCT CODE : asset number of product
- CUSTOMER REF. : customer ID
- POWER SUPPLY : device power supply
- FIRMWARE : software version
- DESTINATION : device's usage destination
- CERTIFICATE : product's certification

4	
4-20 mA or 0-10 V output	20
5	
5-way molex connector	13
A	
Air-water chiller 1 compressor	62
Air-water chiller 2 compressor	63
Air-water heat pump 1 compressor	66
Air-water heat pump 2 compressors	67
Alarm	20
Alarm events per hour	46
Alarm parameters (ALL)	54
Alarms	46
Analogue alarms	50
Analogue inputs	16
configuration table	16
Anti-freeze/boiler parameters (FRO)	55
Anti-freeze/supplementary electrical heater control	39
Diagram	40
Average number of hours	70
B	
Base parameters tabel	7
Basic module	7
BLINK	70
Boiler	32
Boiler control	40
C	
CF modules	
connections	10
Connection diagram	11
mechanical assembly	11
Module <i>dimensions</i>	12
technical data	10
CF Modules	10
Components and accessories	7
COMPONENTS AND ACCESSORIES	9
Compressor configuration	28
Compressor control – regulation algorithm	36
Cooling diagram	36
Heating diagram	37
Compressor on/off sequence	28
Balancing hours of operation	28
Unvaried sequence	28
Compressor parameters (CP)	53
Compressor timing	28
Off-on and on-on comp. diagram	28
Off-on timing	28
On-on and off-off diagram for 2 comp.	29
On-on timing	28
Timing	29
Compressors	28
Condensation fan	29
Condensation fan control	37
Cool mode	38
Heat mode	38
Configuration of analogue inputs	16
Configuration of digital inputs	17
Configuration of outputs	17
Labels	18
Configuration parameter	56
Configuration parameters	51
Connection diagram of the DRV module	30
Connection diagrams	15
Connection of Copy Card	22
Connection to PC	7
Connection to probe AI3 configured as 4..20mA C	16
Connection to probe AI3 configured as NTC	15
CONTENTS	2
Cooling	33
Copy Card	8
Copy card device	22
Copy Card picture	8
Counter mode	43
Cross references	5
Current transformer	60
Cut-off	70
Cyclic operation	31
D	
Decalibrating defrost start setpoint according to T	
ext.	44
Defrost end	43
Diagram	43
Defrost parameters (DFR)	56
Defrost start	42
Diagram	42
Defrosting	42
Description of parameters	51
Device off	33
DIAGNOSTICS	46
Differential temperature control	36
Digital alarms	50
Digital inputs	17
configuration table	17
polarity	17
Dimensions	60
DISCLAIMER	61
Display	23
Displays	23
DRV module	30
Dynamic set point	34
Control parameters	34

Modification depending on current input with negative offset	35
Modification depending on current input with positive offset.....	35
Modification depending on outdoor temperature with negative offset.....	36
Modification depending on outdoor temperature with positive offset	35
E	
<i>Ech 200 Family</i>	6
<i>Electromagnetic characteristi</i>	60
<i>EMC filter</i>	8
EXAMPLES OF AIR CONDITIONING CIRCUITS	62
<i>External anti-freeze electrical heater control</i>	40
<i>External anti-freeze electrical heaters</i>	32
F	
<i>Fan configuration</i>	29
Fan control in cool mode	
diagram	38
Fan control in heat mode	
diagram	39
<i>Fan control parameters (FAN)</i>	53
<i>Fan module pilot output</i>	20
<i>Fan modules</i>	8
<i>for Ech 2xxB</i>	55
<i>Forbidden use</i>	61
FUNCTIONS	42
G	
GLOSSARY	70
H	
<i>Heating</i>	33
<i>Hot start function</i>	44
Diagram	44
.....	5
<i>Hydraulic pump</i>	30
Continuous operation.....	30
Operation in response to request.....	31
<i>Hydraulic pump control</i>	39
<i>Hysteresis</i>	70
I	
<i>Icons for emphasis</i>	5
<i>Impulse duration</i>	30
INSTALLATION	15
<i>Interface module</i>	7
<i>Internal anti-freeze/supplementary electrical heaters</i>	31
configuration	31
<i>Internal fan</i>	32
1 fan control step	32
2 fan control steps	32
3 fan control steps	32
<i>Internal fan control</i>	40
INTRODUCTION	6

K	
<i>Keyboard</i>	23
<i>Keyboards</i>	7
<i>Keys</i>	23
mode	23
Mode and on-off combinations	23
On-off – Reset alarms	23
L	
<i>Label</i>	27; 70
<i>Led</i>	24
<i>List of alarms</i>	46
<i>Load control</i>	36
<i>Loads</i>	70
<i>Logical OR</i>	70
M	
<i>Machine out of coolant signal</i>	44
<i>Manual reset</i>	70
<i>Menu structure</i>	26
<i>Models available</i>	6
Multi-network interface	
connections	
Connection diagram.....	13
<i>Multi-network interface</i>	12
configuration.....	14
dip switch	14
PIN configuration.....	14
connections	13
mechanical assembly.....	14
standards	14
technical data.....	12
O	
<i>On-on and off-off diagram for 2 comp.</i>	29
<i>Open collector output</i>	20
<i>Operating modes</i>	33
configuration table	33
<i>Optional output</i>	20
configuration table	20
<i>Outputs</i>	17
P	
<i>Pa P01</i>	55
<i>Param Manager</i>	8
<i>Parameter programming – Menu levels</i>	25
PARAMETERS	51
<i>Permanent memory</i>	70
<i>Permitted use</i>	61
<i>Phase shift</i>	30
<i>Physical quantities and units of measurement</i>	21
<i>Pick-up</i>	30
Polarity NO3	28
<i>Power failure</i>	45
<i>Power step</i>	28
<i>Pressure-based operation</i>	21

R	
<i>Range</i>	70
<i>Recording hours of operation</i>	42
<i>References</i>	5
<i>Regulation algorithm in cool mode</i>	36
<i>Regulation algorithm in heat mode</i>	37
<i>Regulations</i>	60
<i>Relays</i>	19
configuration table	19
<i>Remote keyboard</i>	24
<i>Remote keyboard output</i>	20
<i>Reset</i>	70
<i>Reset alarm</i>	70
RESPONSIBILITY AND RESIDUAL RISKS	61
<i>Reversing valve</i>	30
Polarity	30
<i>Reversing valve control</i>	39
<i>RS 232 connector</i>	13
S	
<i>Safety timing</i>	28
<i>screw clamp</i>	14
<i>Scroll down</i>	70
<i>Scroll up</i>	70
<i>Selection of operating mode from analogue input</i>	33
Diagram	34
<i>Serial outputs</i>	22
<i>SET display for air-air machines (for models Ech 2xxB only)</i>	23
<i>Set Point</i>	70
<i>Setting set points</i>	34
<i>Silent speed</i>	38
<i>Stand-by</i>	33; 70
<i>Start defrost temperature compensation (for models E2xxB only)</i>	43
<i>Supplementary electrical heater control</i>	40
<i>Supplementary electrical heaters</i>	32
<i>Switching from digital input</i>	36
SYSTEM CONFIGURATION	28
T	
Table of alarms	47
TABLE OF ANALOGUE ALARMS:	50
Table of compressor parameters (CP)	57
TABLE OF DIGITAL ALARMS:	50
<i>Table of parameters</i>	56
alarm parameters (ALL)	58
Anti-freeze/boiler parameters (FRO)	58
defrost parameters (DFR)	58
fan control parameters (FAN)	57
pump parameters (PUP)	58
TECHNICAL FEATURES	60
<i>Technical informatio</i>	60
TEMPERATURE CONTROL FUNCTIONS	33
<i>Temperature- or pressure-based operation</i>	21
configuration table	21
<i>Temperature-based operation</i>	21
TK output	
configuration table	19
<i>Triac</i>	19
U	
<i>Units of measurement</i>	21
USE OF THE DEVICE	61
USER INTERFACE	23
V	
<i>Visibility of parameters and sub-menus</i>	27
W	
<i>Water-water Chiller 1 compressor</i>	64
<i>Water-water Chiller 2 compressor</i>	65
<i>Water-water heat pump 1 compressor</i>	68
<i>Water-water heat pump 2 compressors</i>	69

