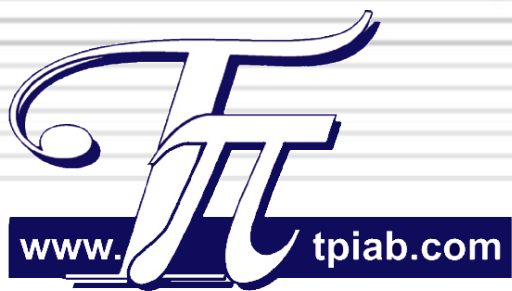


SLIM

range

» TECHNICAL MANUAL



ISO 9001 - Cert. n. 1368

ventilclima[®]
Apparecchi per la Climatizzazione

CENTRIFUGAL FAN COIL UNITS with THIN PROFILE

MU SLIM 0408-0 VEN GB

TECHNICAL DATAS

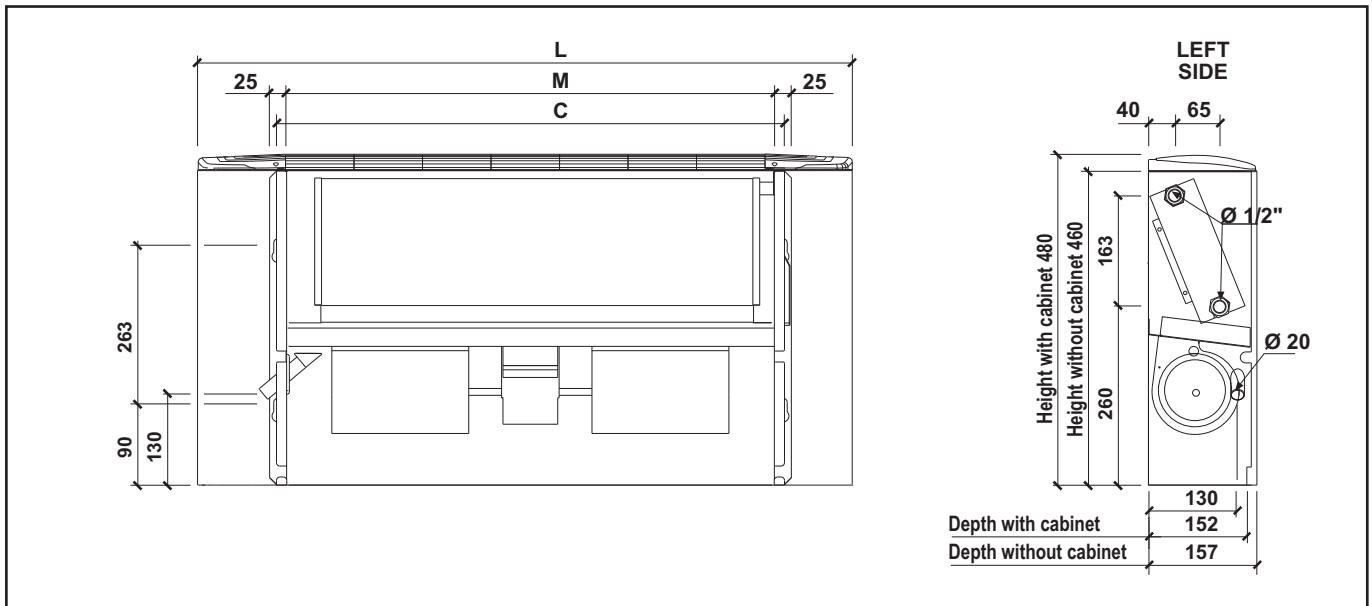
General dimensions of fancoil	3
General datas of 2 pipes system fancoil (3 R COIL)	4
General datas of 2 pipes system fancoil (2 R COIL)	5
General datas of 4 pipes system fancoil (2 R+1R COIL)	5
Aeraulic performance	
Mod. SL 000 - 2 pipe system (3 R)	6
Mod. SL 010 - 2 pipe system (3 R)	6
Mod. SL 020 - 2 pipe system (3 R)	6
Mod. SL 000 - 2 pipe system (2 R)	6
Mod. SL 010 - 2 pipe system (2 R)	6
Mod. SL 020 - 2 pipe system (2 R)	6
Fancoil sound power spectrum, 2 pipe system (3R coil) or 4 pipe system (2R+1 coil)	7
Fancoil sound power spectrum, 2 pipe system (2R coil)	7

FANCOIL UNIT DIMENSION

Wall vertical version with cabinet:	
Version SL 000-SL 020: bottom air intake	8
Version SL 008-SL 028: frontal air intake with socle	8
Version SL 005-SL 025: frontal air intake	9
Ceiling horizontal version with cabinet	
Version SL 004-SL 024: bottom air intake	9
Version SL 001-SL 021: bottom air intake with socle	10
Version SL 009-SL 029: rear air intake	10
Vertical recessed fancoil unit model	
Version SL 002-SL 022: top air discharge	11
Version SL 007-SL 027: frontal air discharge	11
Horizontal recessed fancoil unit model	
Version SL 003-SL 023: frontal air discharge	12
Hidraulic fitting position	12

FAN COIL UNITS ACCESSORIES

ON/OFF 2 way valve kiti - 2 port	13
ON/OFF 3 way valve kit - 4 port	14
Auxiliary 1 row coil	15
Auxiliary condensate drain pan - horizontal version	15
Auxiliary condensate drain pan - vertical version	15
Condensate drain pump	15
Pair of enamelled feet	16
Straight outlet fitting	16
90° outlet elbow	16
Intake elbow	16
Telescopic extention for straight fittings and elbows	16
Outlet louvres and intake grille (with air filter) ABS	17
Aluminium adjustable supply air grill without filter	17
Aluminium fix intake air grill with air filter	17
Example of use of fitting and grilles/louvres	17
Special steel box (only SLIMx7)	18
Pre-enamelled white sheet metal panel (SLIMx7 version)	18
Pre-enamelled white sheet metal panel (SLIMx2 and SLIMx3 version)	18
White lacquered wood panel (SLIMx7 version)	18
White lacquered wood panel (SLIMx2 and SLIMx3 version)	19
Pre-enamelled rear panel (for standard cabinet)	19
Pre-enamelled rear panel (for cabinet with socle)	19
Bottom panel without grille	20



FAN-COIL GENERAL DIMENTIONS FOR 2 PIPE SYSTEM (3R COIL)

MODEL			SLIM 000	SLIM 010	SLIM 020
	Fans number	n°	2	2	2
	Coil number	n°	1	1	1
Coil used for both cooling and heating	Rows number	n°	3	3	3
	Frontal surface	m ²	0,126	0,166	0,206
	Water content	litri	1,10	1,42	1,75
	Hydraulic fitting (Ø Gas female)	Ø	1/2"	1/2"	1/2"
General features	Lenght with cabinet	L (mm)	960	1.160	1.360
	Lenght without cabinet	C (mm)	742	942	1.142
	Discharge section	M (mm)	712	912	1.112
	Net weight	kg	17	20	23

FAN-COIL GENERAL DIMENTIONS FOR 2 PIPE SYSTEM (2R COIL)

MODEL			SLIM 000	SLIM 010	SLIM 020
	Fans number	n°	2	2	2
	Coil number	n°	1	1	1
Coil used for both cooling and heating	Rows number	n°	2	2	2
	Frontal surface	m ²	0,126	0,166	0,206
	Water content	litri	0,73	0,95	1,17
	Hydraulic fitting (Ø Gas female)	Ø	1/2"	1/2"	1/2"
General features	Lenght with cabinet	L (mm)	960	1.160	1.360
	Lenght without cabinet	C (mm)	762	962	1.162
	Discharge section	M (mm)	712	912	1.112
	Net weight	kg	16	19	21,5

FAN-COIL GENERAL DIMENTIONS FOR 4 PIPE SYSTEM (2R+1 COIL)

MODEL			SLIM 000	SLIM 010	SLIM 020
	Fans number	n°	2	2	2
	Coil number	n°	2	2	2
Coil used for cooling	Rows number	n°	2	2	2
	Frontal surface	m ²	0,126	0,166	0,206
	Water content	litri	0,73	0,95	1,17
	Hydraulic fitting (Ø Gas female)	Ø	1/2"	1/2"	1/2"
Coil used for heating	Rows number	n°	1	1	1
	Frontal surface	m ²	0,126	0,166	0,206
	Water content	litri	0,37	0,47	0,58
	Hydraulic fitting (Ø Gas female)	Ø	1/2"	1/2"	1/2"
General features	Lenght with cabinet	L (mm)	960	1.160	1.360
	Lenght without cabinet	C (mm)	762	962	1.162
	Discharge section	M (mm)	712	912	1.112
	Net weight	kg	17	20	23

GENERAL TECHNICAL DATA FOR 2 PIPE SYSTEMA FAN COIL (3 R COIL)

MODELLO SPEED SET IN THE FACTORY				SLIM 00 5° 3° 2°	SLIM 01 5° 3° 2°	SLIM 02 4° 3° 2°
COOLING Inlet water temperature: 7 °C Outlet water temperature: 12°C Inlet air temperature: 27°C d.b.-19°C w.b.	Total cooling capacity	W	Max	1.890	2.270	2.660
		W	Med	1.510	2.020	2.190
		W	Min	1.160	1.470	1.730
	Sensible cooling capacity	W	Max	1.460	1.750	2.020
		W	Med	1.140	1.540	1.640
		W	Min	866	1.100	1.290
	Water flow	l/h	Max	326	391	458
Water pressure loss	kPa	Max	13,30	7,24	11,30	
HEATING Air temperature: 20°C Inlet water temperature: 50°C	Heating capacity	W	Max	2.410	2.930	3.350
		W	Med	1.900	2.570	2.720
		W	Min	1.430	1.820	2.120
	Water flow	l/h	Max	326	391	458
	Water pressure loss	kPa	Max	10,80	5,88	9,18
HEATING Air temperature: 20°C Inlet water temperature: 70/60°C	Heating capacity	W	Max	4.100	4.940	5.680
		W	Med	3.220	4.360	4.590
		W	Min	2.410	3.080	3.560
	Water flow	l/h	Max	358	432	497
	Water pressure loss	kPa	Max	11,9	6,51	9,84
FURTHER DATA	Air flow	m3/h	Max	343	407	453
		m3/h	Med	254	347	353
		m3/h	Min	182	232	265
	Sound power level	dB(A)	Max	51,6	51,8	54,3
		dB(A)	Med	43,1	45,5	48,8
		dB(A)	Min	35,5	37,8	40,6
	Sound pressure level	dB(A)	Max	43,0	43,2	45,7
		dB(A)	Med	34,5	36,9	40,2
		dB(A)	Min	26,9	29,2	32,0
	Power input	W	max	40	38	64
Absorbet current	A	max	0,18	0,17	0,32	

Standard unit with free outlet (external static pressure= 0 Pa);
 Sound power level: ISO 23741;
 Sound pressure level: 8,6 dB(A) lower than the sound power level

range

SLIM

GENERAL TECHNICAL DATA FOR 2 PIPE SYSTEMA FAN COIL (2 R COIL)

MODELLO				SLIM 00	SLIM 01	SLIM 02
SPEED SET IN THE FACTORY				5° 3° 2°	5° 3° 2°	4° 3° 2°
COOLING Inlet water temperature: 7 °C Outlet water temperature: 12°C Inlet air temperature: 27°C d.b.-19°C w.b.	Total cooling capacity	W	Max	1.450	1.850	2.240
		W	Med	1.200	1.600	1.920
		W	Min	959	1.270	1.500
	Sensible cooling capacity	W	Max	1.180	1.460	1.740
		W	Med	956	1.250	1.470
		W	Min	751	972	1.130
	Water flow	l/h	Max	249	319	386
Water pressure loss	kPa	Max	5,45	10,3	17,10	
HEATING Air temperature: 20°C Inlet water temperature: 50°C	Heating capacity	W	Max	1.960	2.430	2.910
		W	Med	1.610	2.090	2.450
		W	Min	1.250	1.610	1.870
	Water flow	l/h	Max	249	319	386
	Water pressure loss	kPa	Max	4,43	8,39	13,90
HEATING Air temperature: 20°C Inlet water temperature: 70/60°C	Heating capacity	W	Max	3.380	4.150	4.960
		W	Med	2.770	3.570	4.170
		W	Min	2.150	2.750	3.170
	Water flow	l/h	Max	296	363	433
	Water pressure loss	kPa	Max	5,56	9,79	15,80
FURTHER DATA	Air flow	m ³ /h	Max	351	415	477
		m ³ /h	Med	264	335	382
		m ³ /h	Min	192	241	272
	Sound power level	dB(A)	Max	54,9	53,6	55
		dB(A)	Med	48,3	47,4	49,3
		dB(A)	Min	41,8	38,0	37,6
	Sound pressure level	dB(A)	Max	46,3	45,0	46,4
		dB(A)	Med	39,7	38,8	40,7
		dB(A)	Min	33,2	29,4	29,0
	Power input	W	max	40	38	64
	Absorbet current	A	max	0,18	0,17	0,32

GENERAL TECHNICAL DATA FOR 4 PIPE SYSTEMA FAN COIL (2 R+1 COIL)

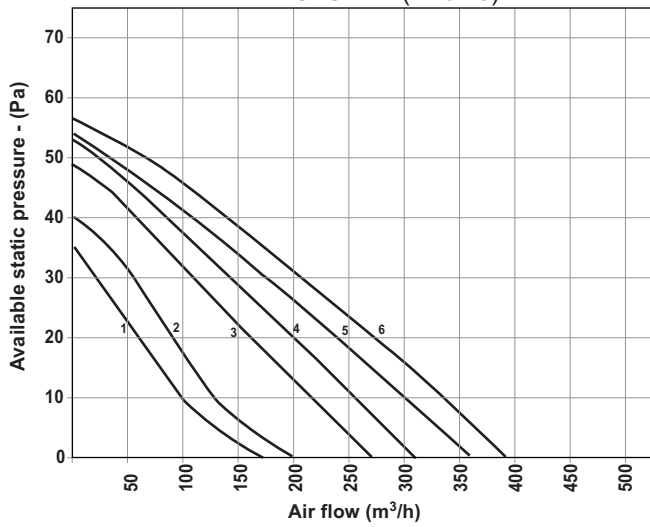
MODELLO				SLIM 00	SLIM 01	SLIM 02
SPEED SET IN THE FACTORY				5° 3° 2°	5° 3° 2°	4° 3° 2°
HEATING Air temperature: 20°C Inlet water temperature: 70/60°C	Heating capacity	W	Max	2.470	3.290	3.530
		W	Med	1.990	2.880	2.940
		W	Min	1.560	2.220	2.370
	Water flow	l/h	Max	216	288	308
	Water pressure loss	kPa	Max	10,8	22,0	29,4
FURTHER DATA	Air flow	m ³ /h	Max	343	407	453
		m ³ /h	Med	254	347	353
		m ³ /h	Min	182	232	265
	Sound power level	dB(A)	Max	51,6	51,8	54,3
		dB(A)	Med	43,1	45,5	48,8
		dB(A)	Min	35,5	37,8	40,6
	Sound pressure level	dB(A)	Max	43,0	43,2	45,7
		dB(A)	Med	34,5	36,9	40,2
		dB(A)	Min	26,9	29,2	32,0
	Power input	W	max	40	64	64
	Absorbet current	A	max	0,18	0,32	0,32

Standard unit with free outlet (external static pressure= 0 Pa);
 Sound power level: ISO 23741;
 Sound pressure level: 8,6 dB(A) lower than the sound power level

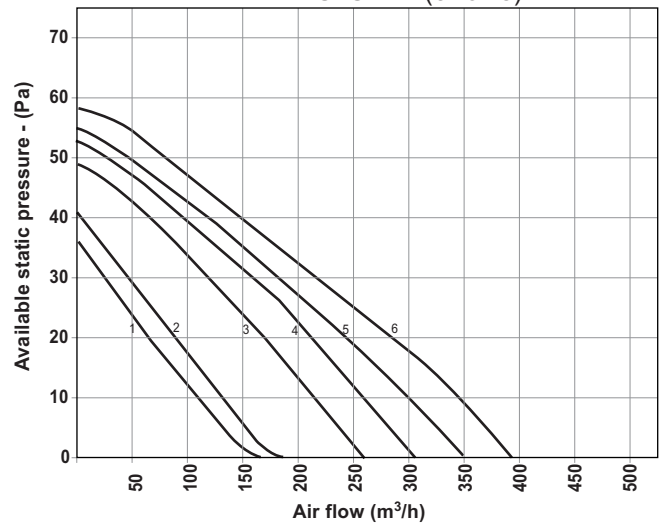
AEREAULIC PERFORMANCES

MOD.: SLIM 000

2 PIPE SYSTEM (2 rows)

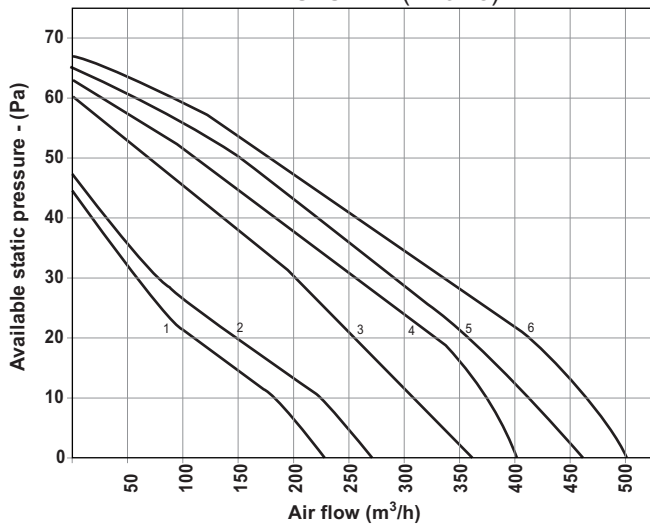


2 PIPE SYSTEM (3 rows)

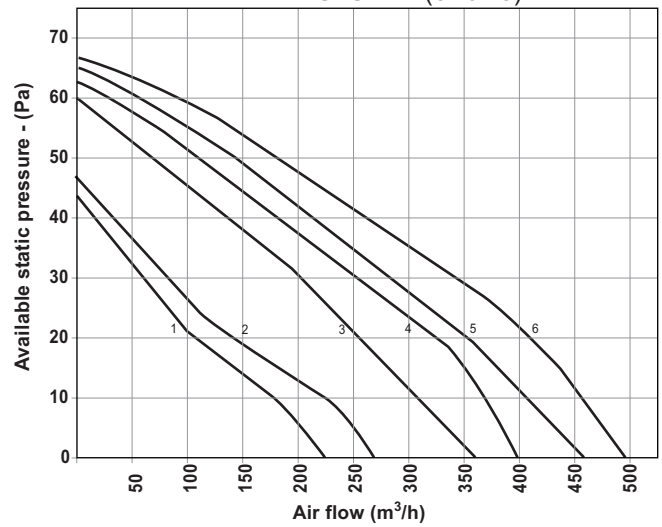


MOD.: SLIM 010

2 PIPE SYSTEM (2 rows)

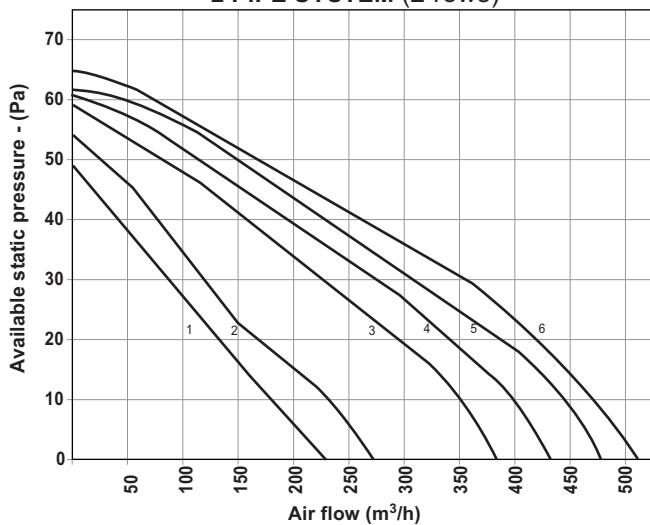


2 PIPE SYSTEM (3 rows)

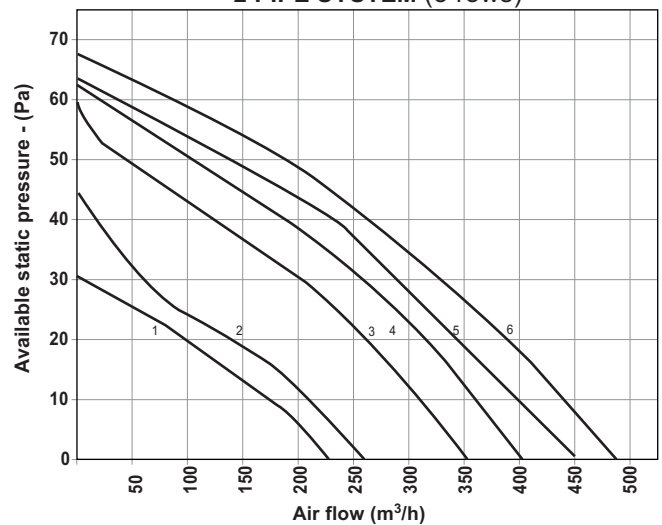


MOD.: SLIM 020

2 PIPE SYSTEM (2 rows)



2 PIPE SYSTEM (3 rows)



Data indicated as 2^Δ, 3, 5^Δ (for models SLIM 000/010) and 2^Δ, 3^Δ, 4^Δ (for model SLIM 020) concern the 3 standard speeds set at the factory. Upon customer request other 3 speeds among the 6 speeds available can be connected.

SOUND POWER SPECTRUM - 2 PIPE SYSTEM (3 R COIL) and 4 pipe system (2 R+1 COIL)

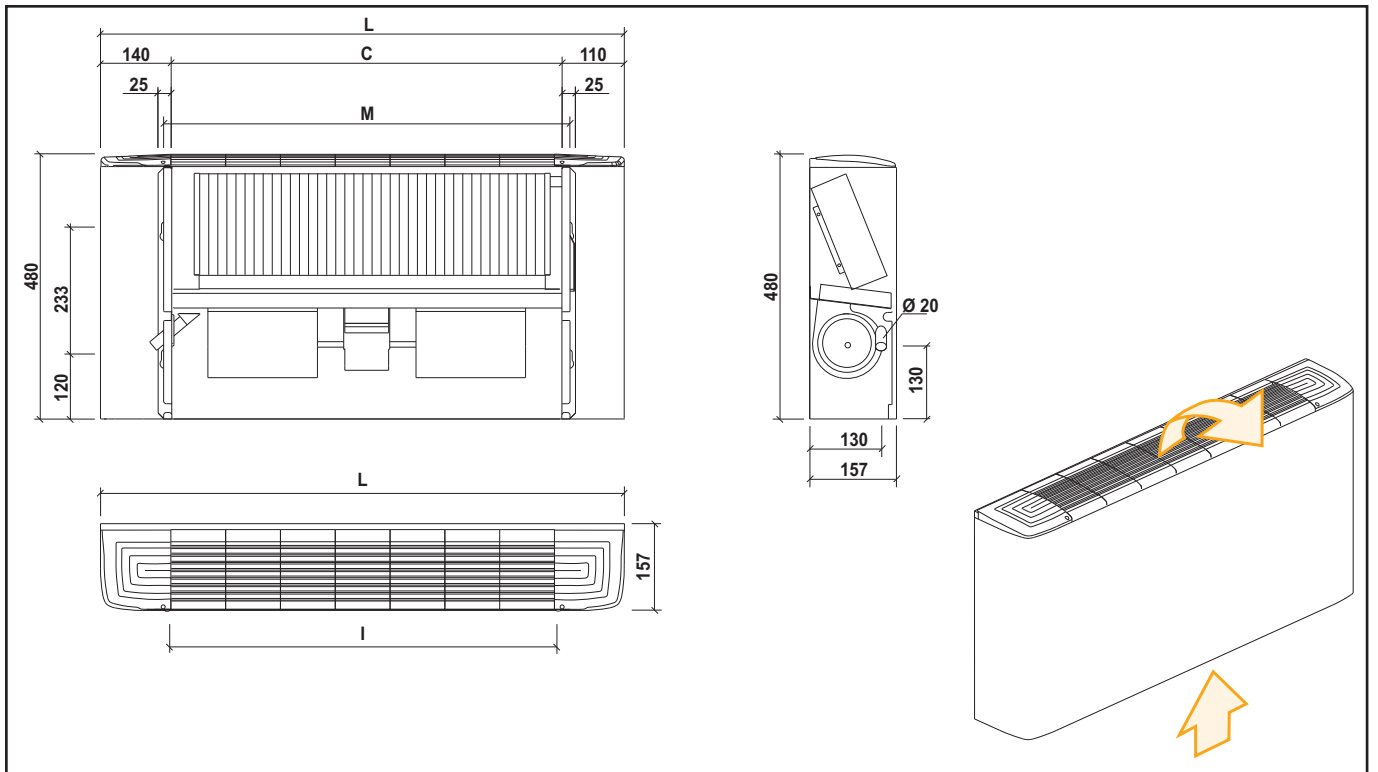
Model	Speed	Standard electric wiring	Frequency spectrum - ref. octave band (Hz)							Total sound power dB(A)
			125	250	500	1000	2000	4000	8000	
SLIM 000	6		47,0	49,5	56,5	47,7	43,3	38,7	27,9	55,1
	5	Max	45,1	47,7	52,4	45,4	40,0	35,2	24,2	51,6
	4		42,5	44,0	47,6	41,1	34,6	28,5	20,4	46,9
	3	Med	39,4	41,0	44,0	36,9	29,2	23,7	18,6	43,1
	2	Min	37,3	36,4	36,4	27,6	12,1	17,8	19,1	35,5
	1		36,7	32,4	34,3	25,0	15,5	17,7	19,7	33,3
SLIM 010	6		46,1	49,5	58,3	46,5	43,2	36,5	34,0	56,2
	5	Max	41,7	45,8	53,9	42,4	38,6	32,3	24,3	51,8
	4		40,6	44,8	49,3	41,6	36,7	30,8	23,8	48,3
	3	Med	39,1	43,1	46,3	39,4	33,1	28,2	21,9	45,5
	2	Min	34,2	37,8	38,5	30,1	22,1	25,2	20,6	37,8
	1		31,1	36,0	34,9	24,7	18,4	24,8	20,0	34,6
SLIM 020	6		51,9	57,9	57,9	46,3	43,3	35,1	26,3	56,6
	5	Min	46,5	52,4	56,1	45,1	40,1	33,1	26,8	54,3
	4	Med	45,7	52,2	52,7	44,7	39,1	33,6	28,4	51,9
	3	Max	44,2	50,7	48,8	41,4	37,6	30,3	27,7	48,8
	2		37,3	42,5	41,2	31,9	26,5	25,0	21,1	40,6
	1		32,7	42,1	35,5	24,5	23,5	24,4	19,2	37,0

SOUND POWER SPECTRUM - 2 PIPE SYSTEM (2 R COIL)

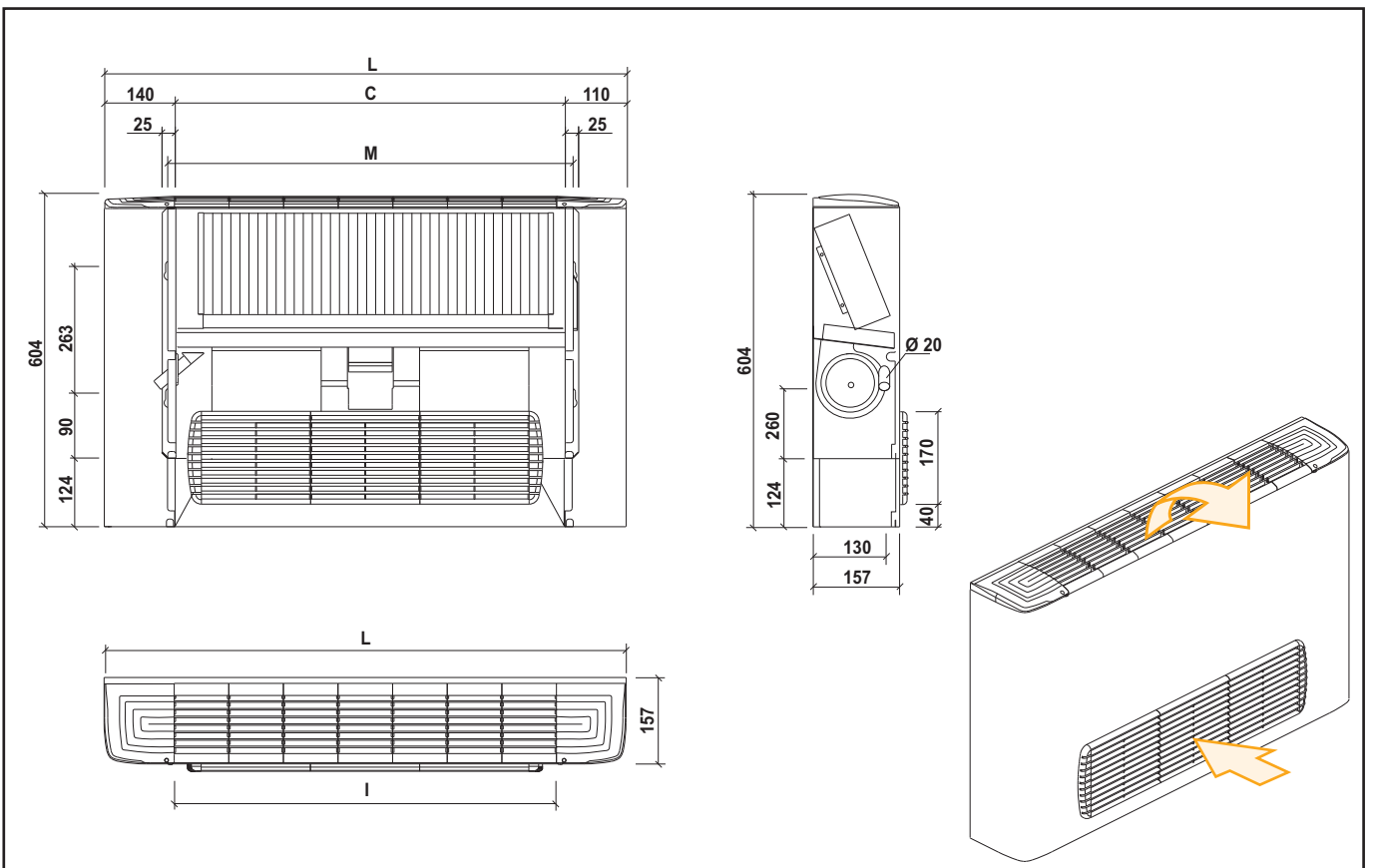
Model	Speed	Standard electric wiring	Frequency spectrum - ref. octave band (Hz)							Total sound power dB(A)
			125	250	500	1000	2000	4000	8000	
SLIM 000	6		57,4	52,7	59,5	51,9	47,8	42,2	31,5	58,6
	5	Max	55,1	50,2	55,4	49,0	43,8	37,8	27,6	54,9
	4		52,7	47,8	51,8	46,1	39,8	32,6	24,6	51,5
	3	Med	50,8	46,8	48,8	42,3	34,9	27,8	23,5	48,3
	2	Min	47,7	41,2	42,5	34,1	23,3	24,1	24,9	41,8
	1		47,0	38,4	40,0	31,1	15,4	25,2	26,9	39,6
SLIM 010	6		48,2	54,1	60,4	49,1	44,8	38,3	28,3	58,4
	5	Max	46,7	52,4	59,3	46,2	41,7	35,0	24,1	57,0
	4		45,7	52,8	55,2	48,3	42,0	36,2	26,1	54,5
	3	Med	44,6	48,9	51,7	44,9	37,7	30,2	22,8	50,9
	2	Min	35,8	41,2	41,1	32,9	23,7	21,4	20,9	40,3
	1		30,3	39,2	36,2	26,2	15,6	19,1	20,1	35,8
SLIM 020	1		47,5	52,5	58,7	47,6	45,1	39,6	30,5	56,9
	2	Min	45,9	50,3	57,0	45,2	42,0	36,1	27,0	55,0
	3	Med	47,0	51,2	52,1	45,5	39,7	34,2	25,9	51,7
	4	Max	44,5	48,7	49,6	43,0	37,2	31,7	33,3	49,3
	5		39,0	47,3	42,5	33,8	25,4	27,0	23,2	43,0
	6		29,9	37,6	32,3	22,0	14,3	20,9	17,2	33,1

Data indicated as 2[^], 3, 5[^] (for models SLIM 000/010) and 2[^], 3[^], 4[^] (for model SLIM 020) concern the 3 standard speeds set at the factory. Upon customer request other 3 speeds among the 6 speeds available can be connected.

VERSION 0 - Wall mounted with cabinet (bottom air intake)

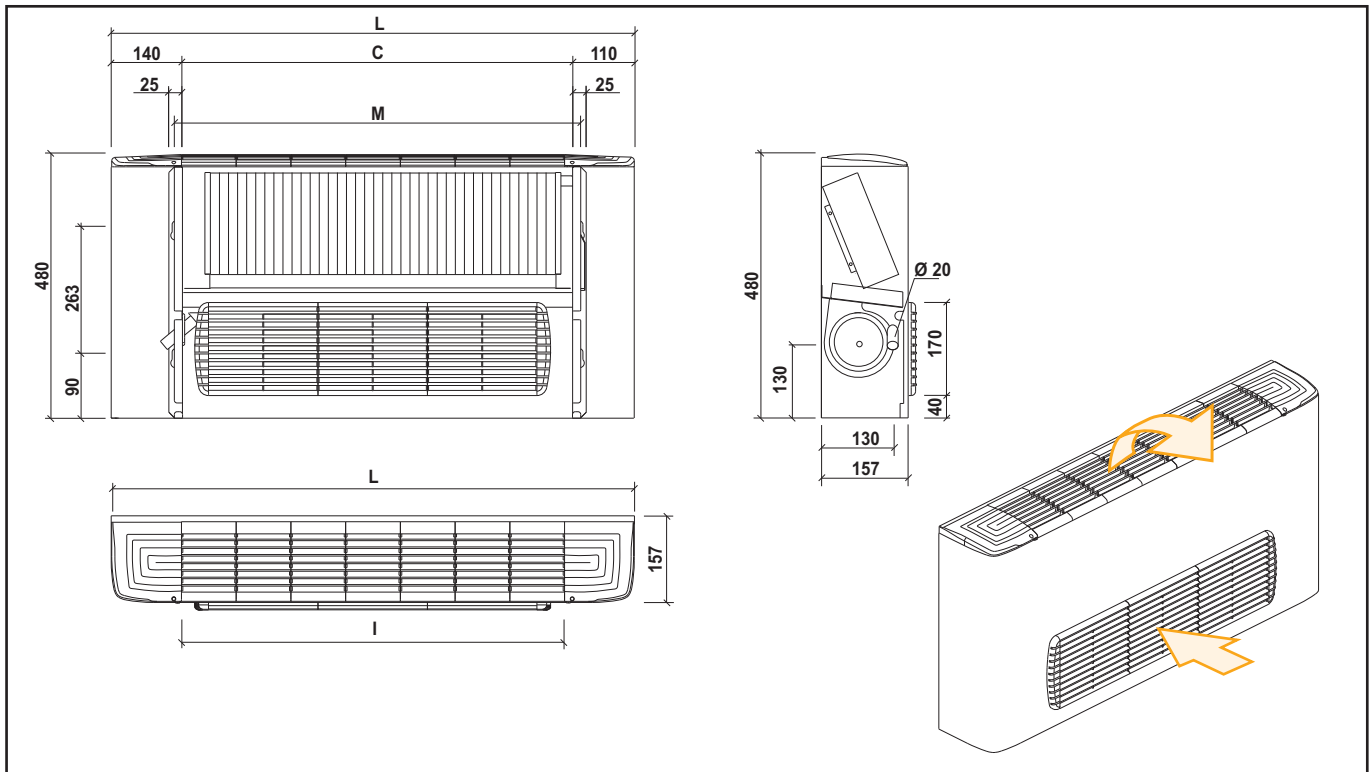


VERSION 8 - Wall mounted with cabinet (frontal air intake with socle)

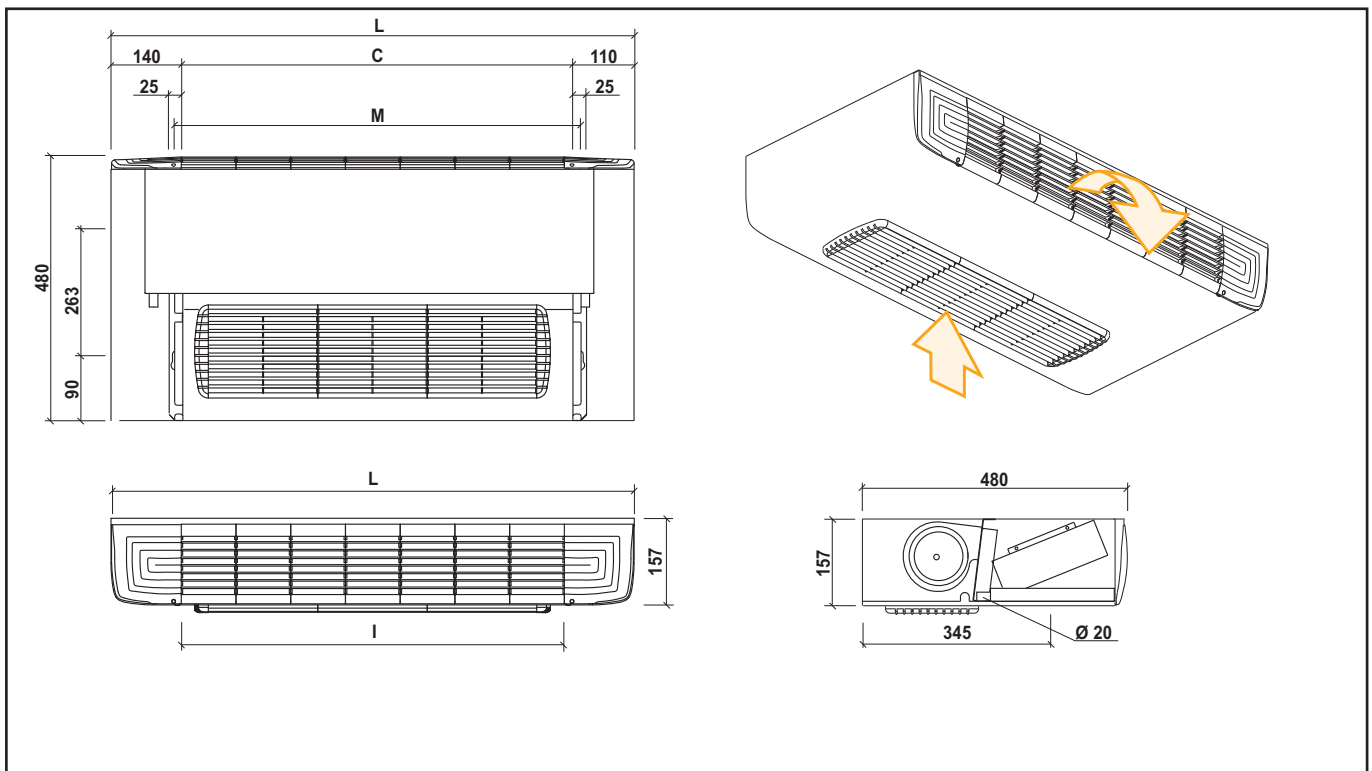


SLIM x0		SLIM x8		L	M	C	I
MOD.	CODE	MOD.	CODE	mm	mm	mm	n.
SLIM 000	A0015112000	SLIM 008	A0015112008	960	742	712	7
SLIM 010	A0015112010	SLIM 018	A0015112018	1.160	942	912	9
SLIM 020	A0015112020	SLIM 028	A0015112028	1.360	1.142	1.112	11

VERSION 5 - Wall mounted with cabinet (frontal air intake)

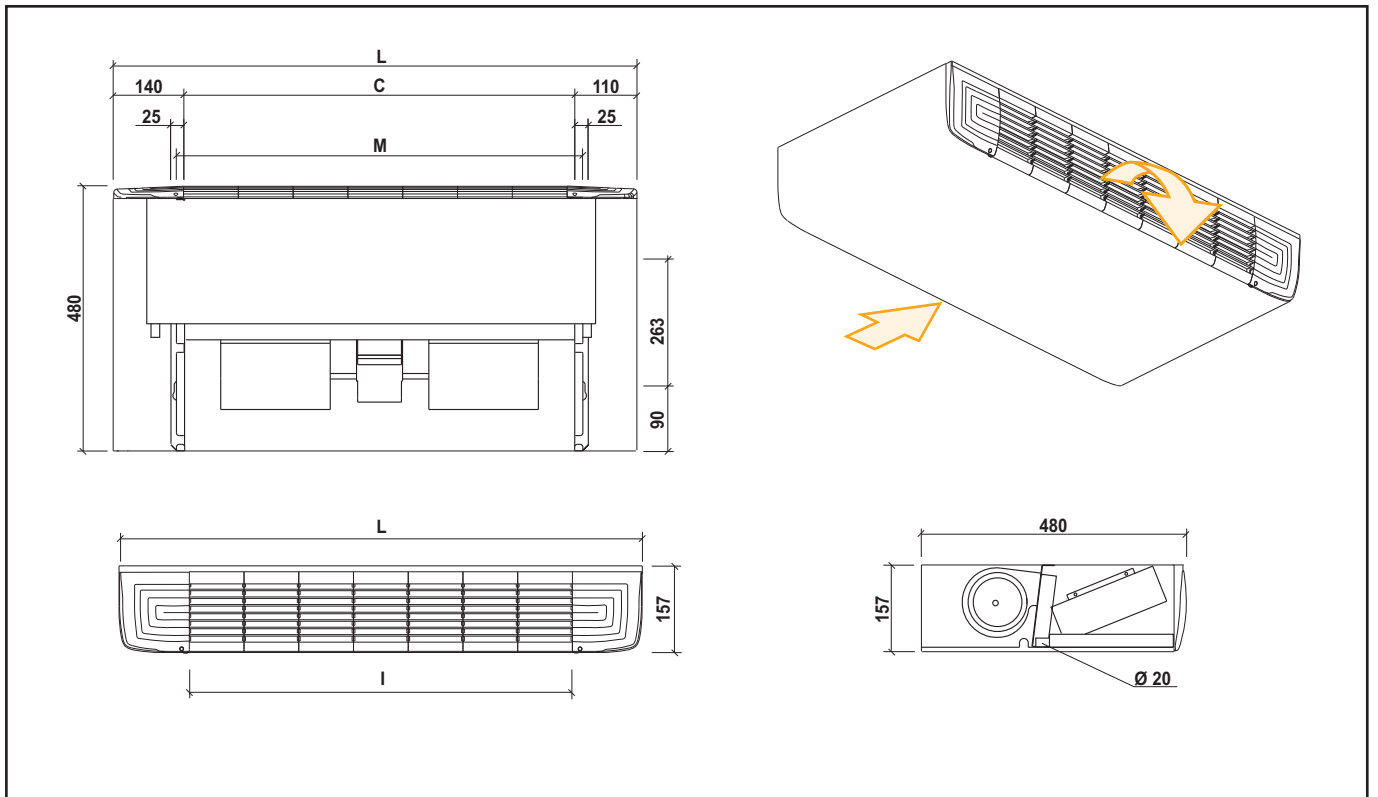


VERSION 4 - Horizontal ceiling models with cabinet (bottom air intake)

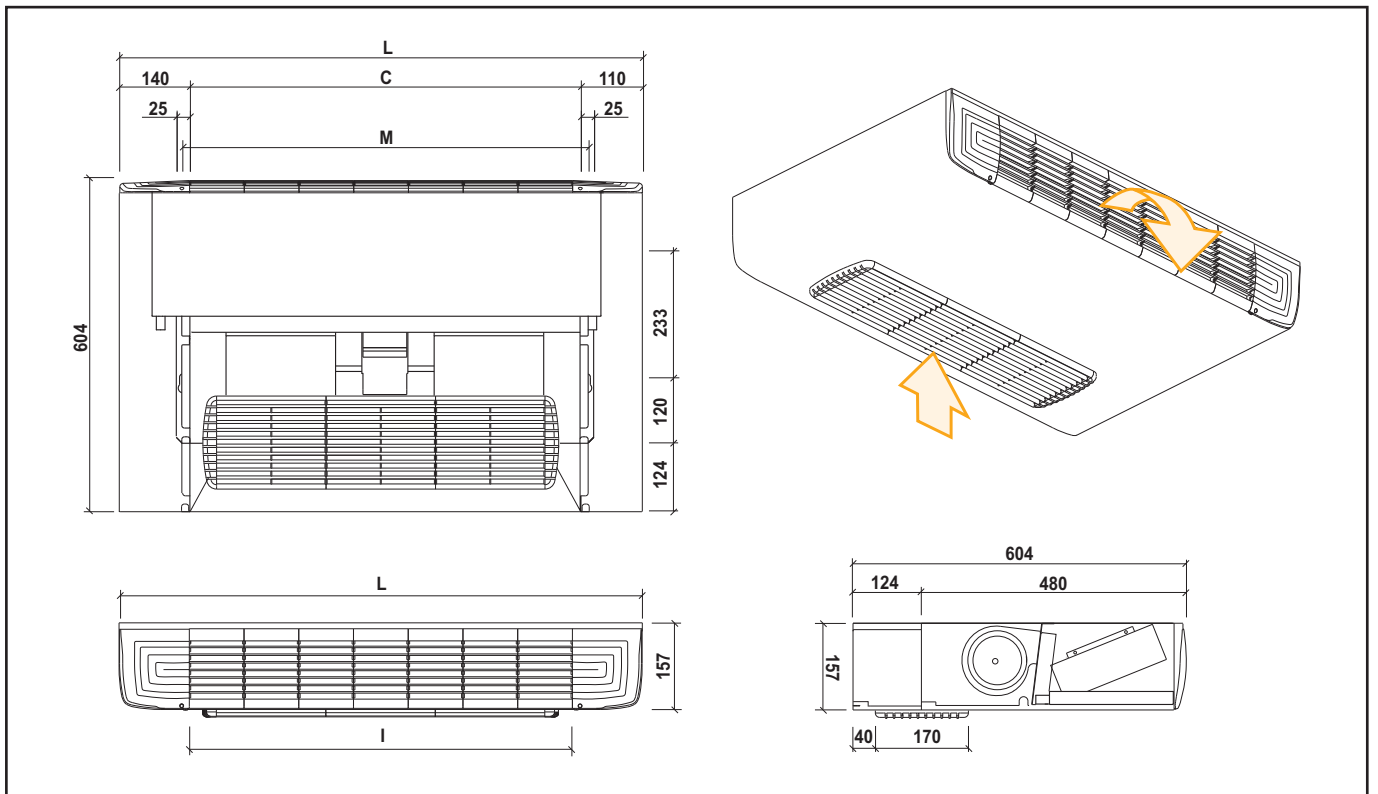


SLIM x5		SLIM x4		L	M	C	I
MOD.	CODE	MOD.	CODE	mm	mm	mm	n.
SLIM 005	A0015112005	SLIM 004	A0015112004	960	742	712	7
SLIM 015	A0015112015	SLIM 014	A0015112014	1.160	942	912	9
SLIM 025	A0015112025	SLIM 024	A0015112024	1.360	1.142	1.112	11

VERSION 9 - Horizontal ceiling models with cabinet (bottom air intake with socle)

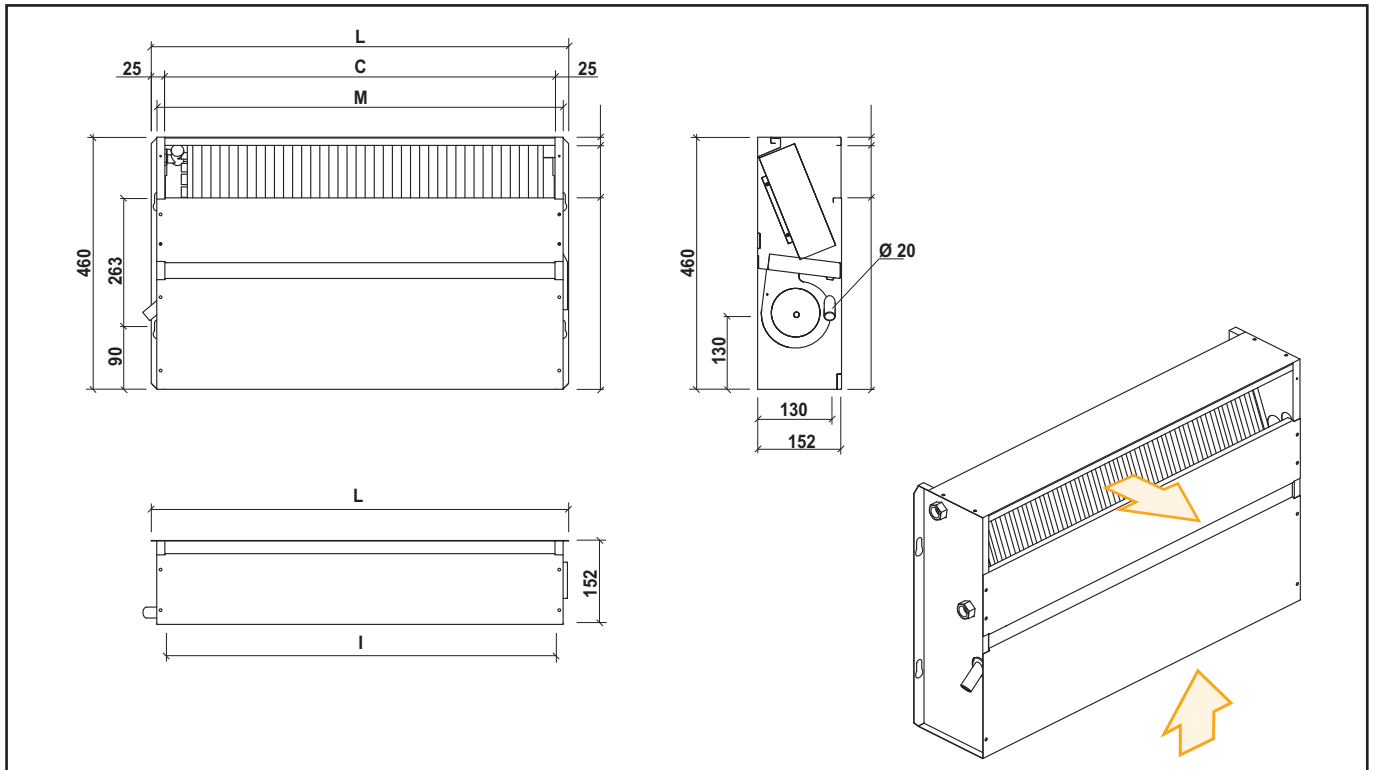


VERSION 1 - Horizontal ceiling models with cabinet (bottom air intake with socle)

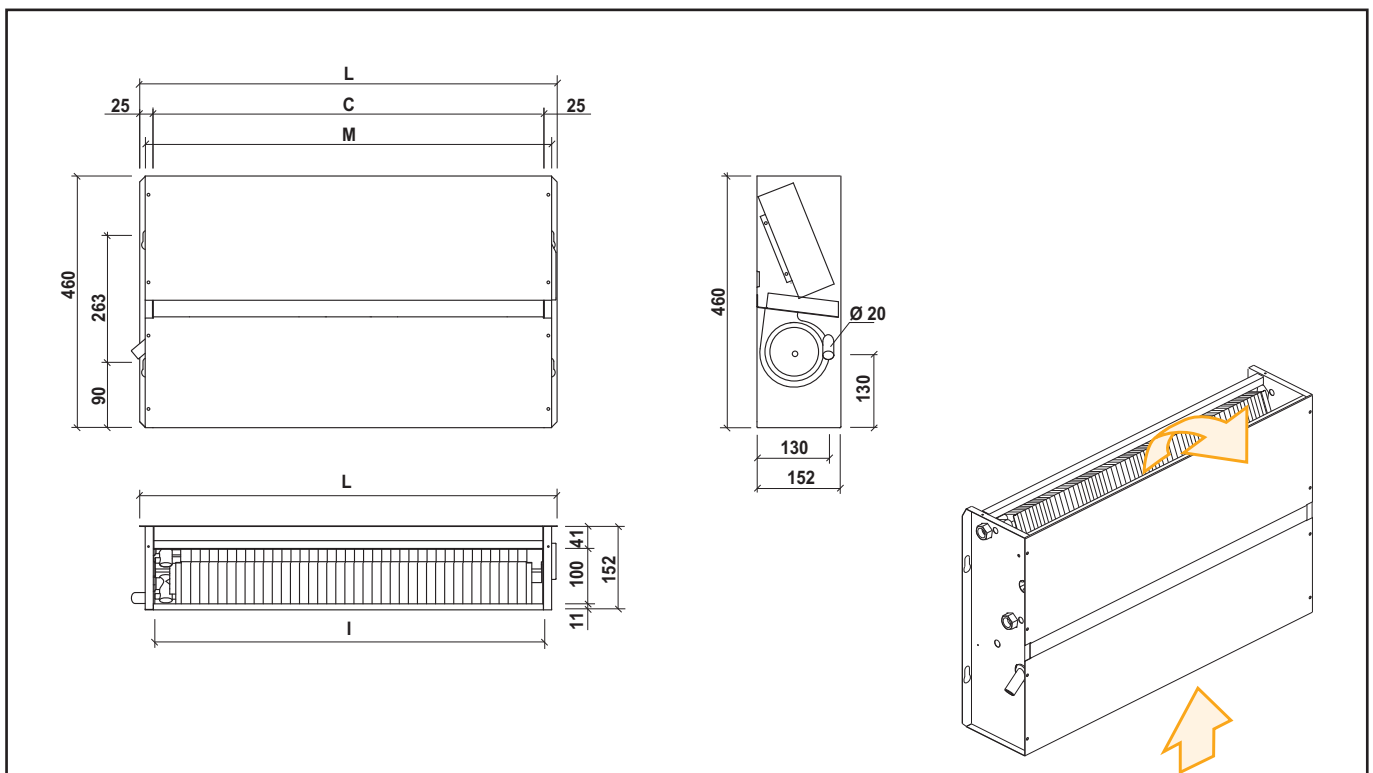


SLIM x9		SLIM x1		L	M	C	I
MOD.	CODE	MOD.	CODE	mm	mm	mm	n.
SLIM 009	A0015112009	SLIM 001	A0015112001	960	742	712	7
SLIM 019	A0015112019	SLIM 011	A0015112011	1.160	942	912	9
SLIM 029	A0015112028	SLIM 021	A0015112021	1.360	1.142	1.112	11

VERSION 7 - Vertical recessed models (frontal air discharge)

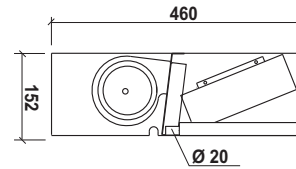
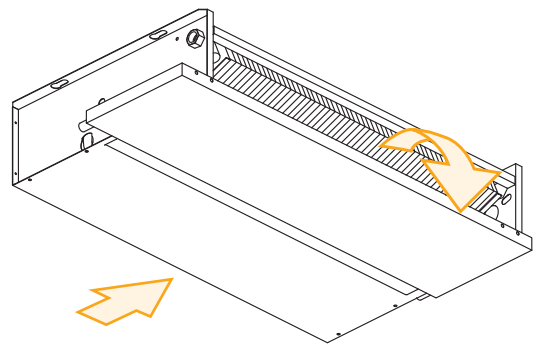
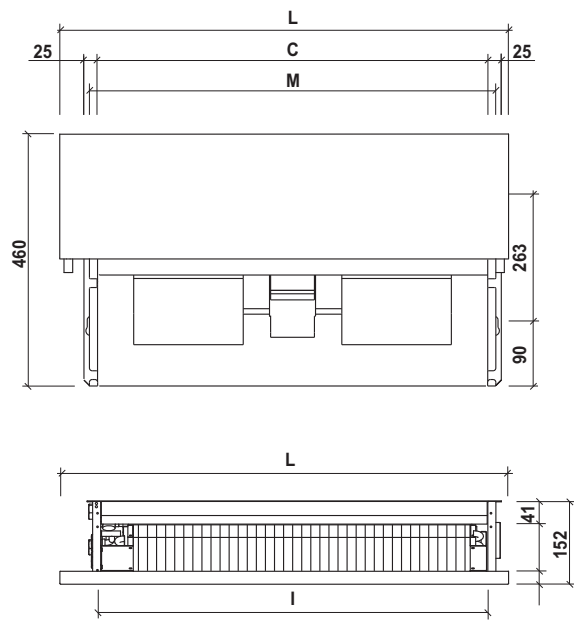


VERSION 2 - Vertical recessed models (top air discharge)



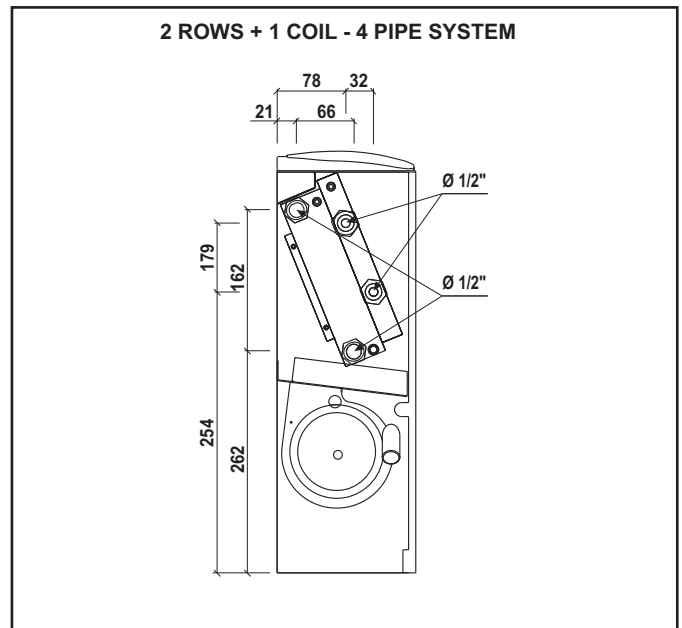
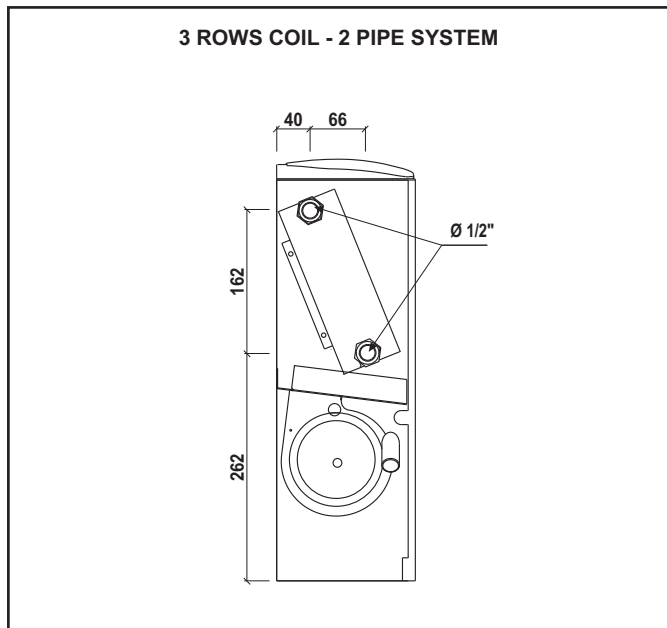
SLIM x7		SLIM x2		L	M	C	I
MOD.	CODE	MOD.	CODE	mm	mm	mm	n.
SLIM 007	A0015112007	SLIM 002	A0015112002	762	742	712	712
SLIM 017	A0015112017	SLIM 012	A0015112012	962	942	912	912
SLIM 027	A0015112027	SLIM 022	A0015112022	1.162	1.142	1.112	1.112

VERSION 3 - Horizontal ceiling recessed models (top air discharge)



SLIM x3		L	M	C	I
MOD.	CODE	mm	mm	mm	n.
SLIM 003	A0015112003	825	742	712	7
SLIM 013	A0015112013	1.025	942	912	9
SLIM 023	A0015112023	1.225	1.142	1.112	11

HIDRAULIC FITTING POSITION



ON/OFF 2-WAY VALVE KIT

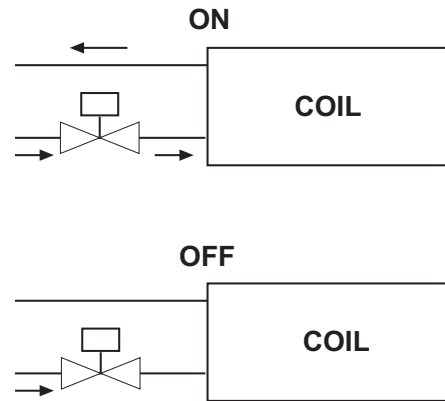
On/Off 2-way solenoid valves with bypass (2 fittings) are available.

The valve body is in brass; an on/off electrothermal actuator (power supply 230Vac) controls the membrane. When there is no power supply the valve is closed. The electrothermal actuator is silent during operation. The kit comprises valve body, electrothermal actuator, flared copper pipes, ring nuts and gaskets for fixing to the fan coil.

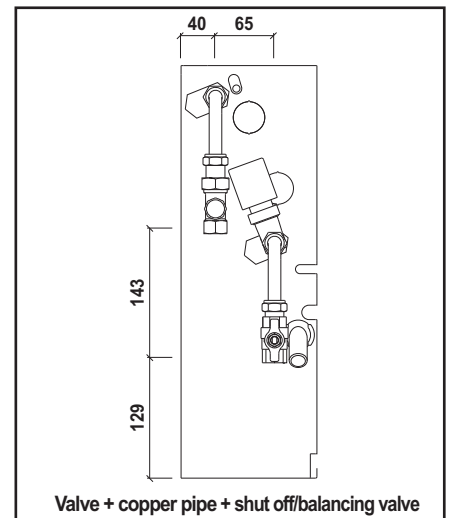
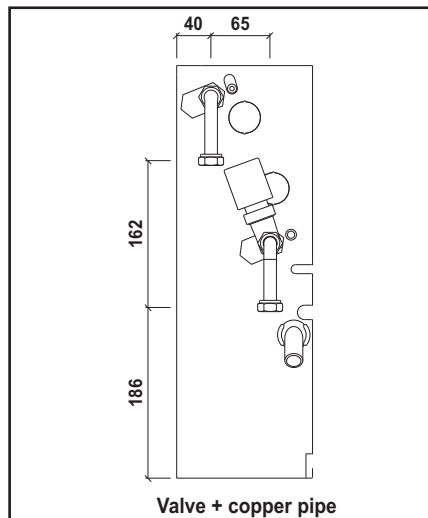
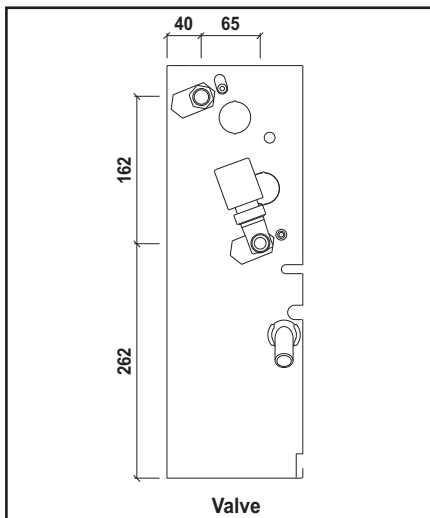
The valve kit is already installed on the fan coil complete with the water and electrical connections necessary for operation. The fan coil model and the coil (standard or auxiliary) to which the kit refers must be specified at the time of ordering.

Technical data:

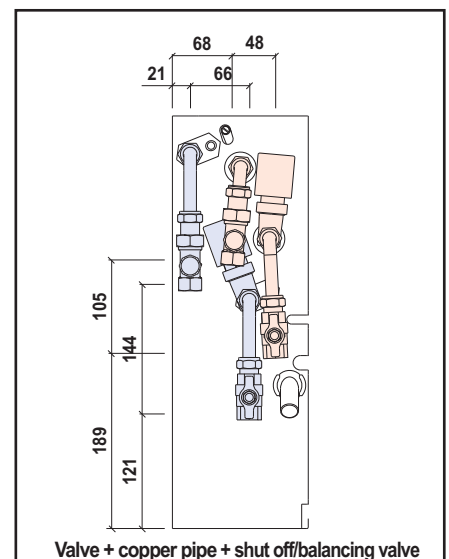
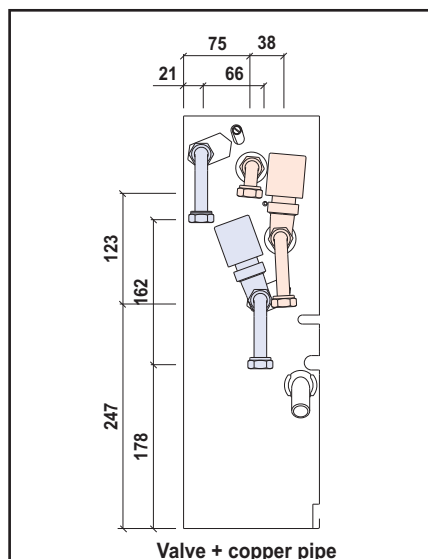
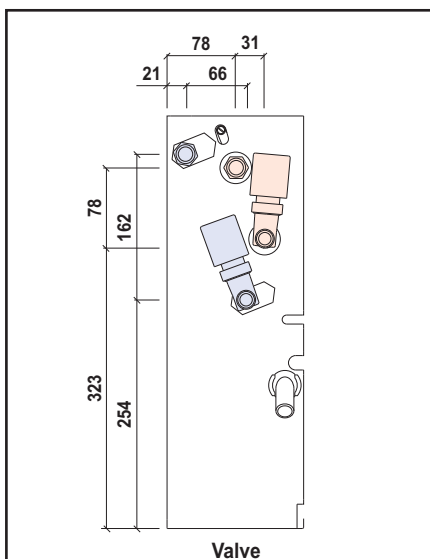
Electrical power supply	230 V/50-60 Hz
Input	3 VA
Breakaway starting current	0,3 A (230 V)
Working current	0,013 A (230 V)
Max travel	4 mm
Pressure	90 N
Opening time	3 min
Max. differential pressure (with valve Ø 1/2")	1,5 bar
Max. differential pressure (with valve Ø 3/4")	0,5 bar
Working room temperature	50°C
Protection rating (vertical inst.)	IP43
Protection rating (horizontal inst.)	IP40
Insulation	Double or reinforced
Connecting cable	Two pin Ø 0.5 mm ²
Size	68,5x50x50



3 ROWS COIL - 2 PIPE SYSTEM



2+1 ROWS COIL - 4 PIPE SYSTEM



ON/OFF 3-WAY VALVE KIT

On/Off 3-way solenoid valves with bypass (4 fittings) are available.

The valve body is in brass; an on/off electrothermal actuator (power supply 230Vac) controls the membrane. When there is no power supply the valve is closed.

The electrothermal actuator is silent during operation.

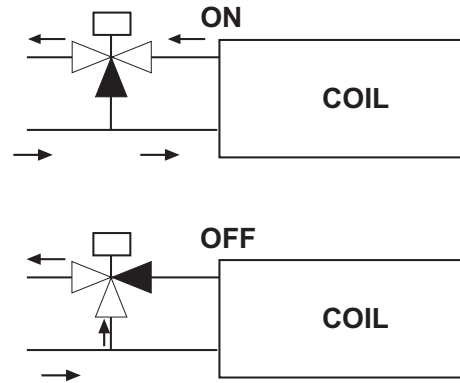
The kit comprises valve body, electrothermal actuator, flared copper pipes, ring nuts and gaskets for fixing to the fan coil.

The valve kit is already installed on the fan coil complete with the water and electrical connections necessary for operation.

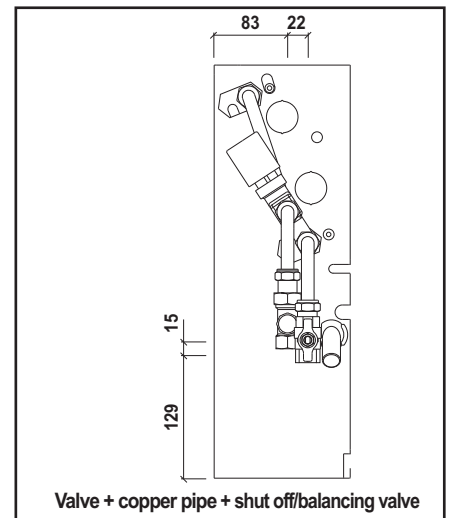
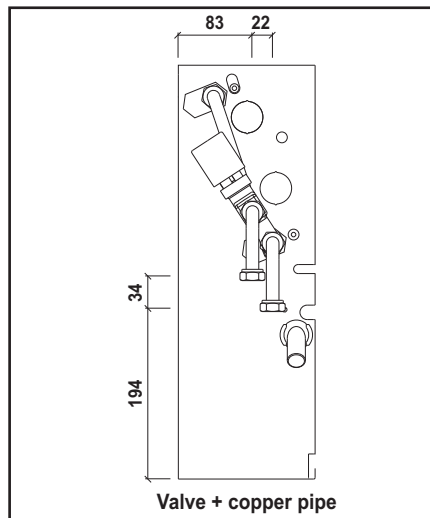
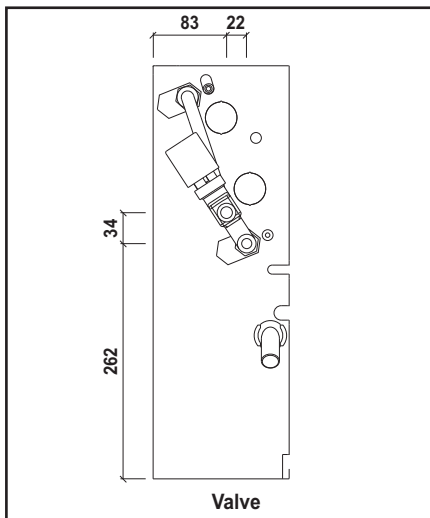
The fan coil model and the coil (standard or auxiliary) to which the kit refers must be specified at the time of ordering.

Technical data:

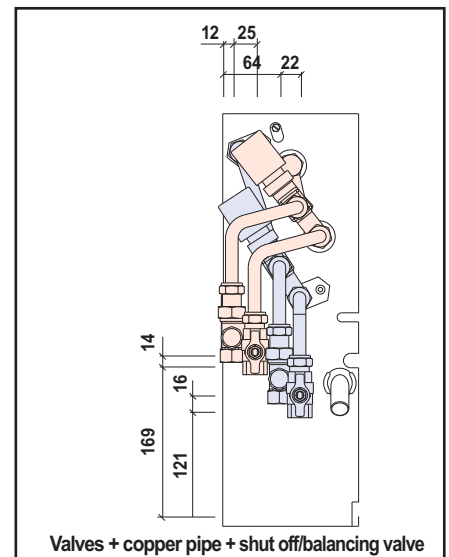
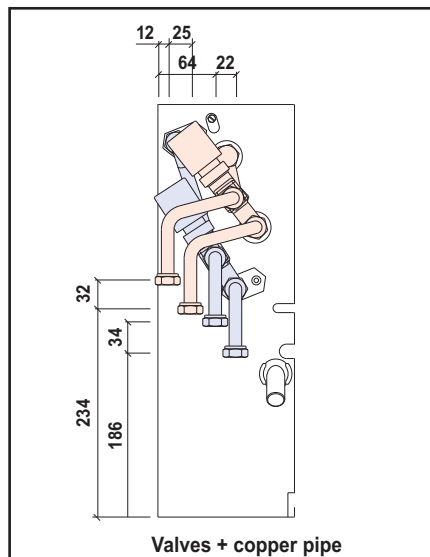
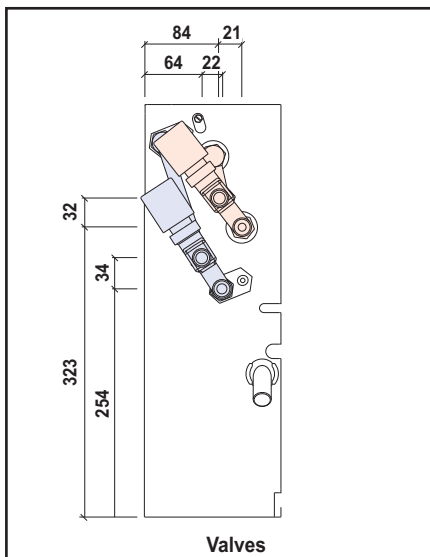
Electrical power supply	230 V/50-60 Hz
Input	3 VA
Breakaway starting current	0,3 A (230 V)
Working current	0,013 A (230 V)
Max travel	4 mm
Pressure	90 N
Opening time	3 min
Max. differential pressure (with valve Ø 1/2")	1,5 bar
Max. differential pressure (with valve Ø 3/4")	0,5 bar
Working room temperature	50°C
Protection rating (vertical inst.)	IP43
Protection rating (horizontal inst.)	IP40
Insulation	Double or reinforced
Connecting cable	Two pin Ø 0.5 mm ²
Size	68,5x50x50



3 ROWS COIL - 2 PIPE SYSTEM



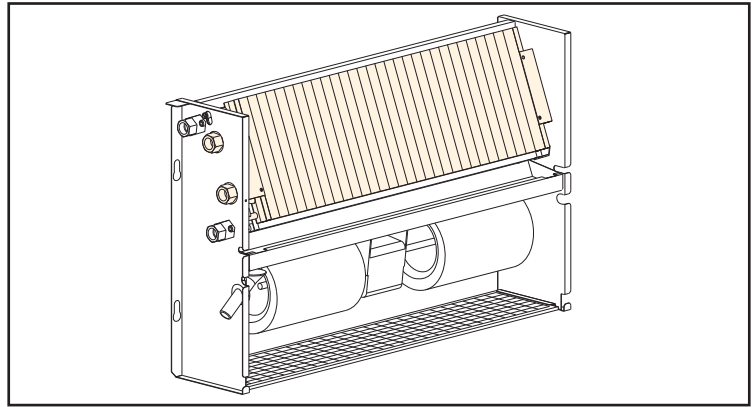
2+1 ROWS COIL - 4 PIPE SYSTEM



SINGLE ROW AUXILIARY COIL

This is used in 4-pipe systems, which comprise 2 independent water circuits: one for cooling and the other for heating. In this case the auxiliary coil is used for heating. The constructional characteristics are similar to those of the main coil with brass inlet/outlet headers and air valves. The fittings have a diameter of 1/2" with internal GAS thread.

The fan coil model in which the auxiliary coil is to be installed must be specified at the time of ordering.



MOD.	CODE	Heating capacity W	Water flow l/h	Water pressure loss kPa
SL 00x	A0055560146	2.470	216	10,8
SL 01x	A0055560147	3.290	288	22,0
SL 02x	A0055560148	3.530	308	29,4

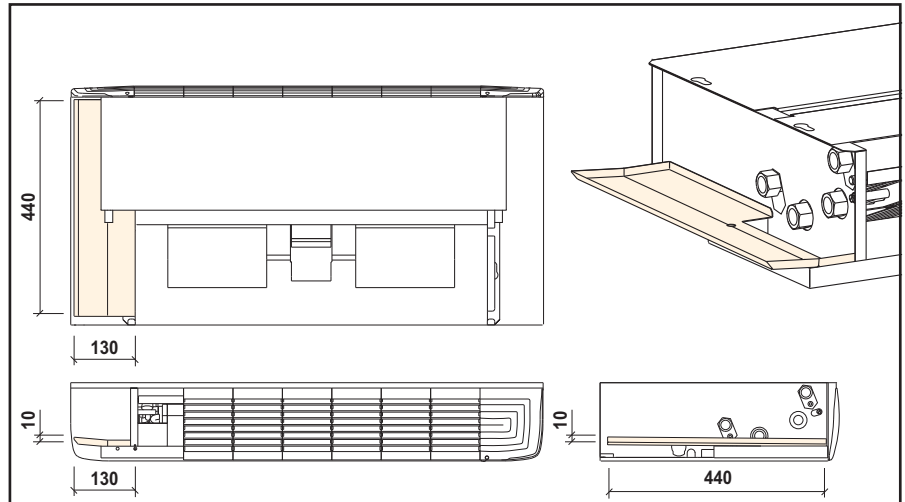
The technical data refer to the following conditions:

Mmaximum fan speed; indicated water flow rate; inflowing water temperature at 70°C; heat drop of 10°C; inflowing air temperature at 20°C.

AUXILIARY CONDENSATE COLLECTING TRAY – horizontal version (INSULATED)

The painted, galvanised sheet metal auxiliary tray is used to collect condensate from the valves and the pipes connecting to the unit. It is suitable for horizontally mounted fan coils.

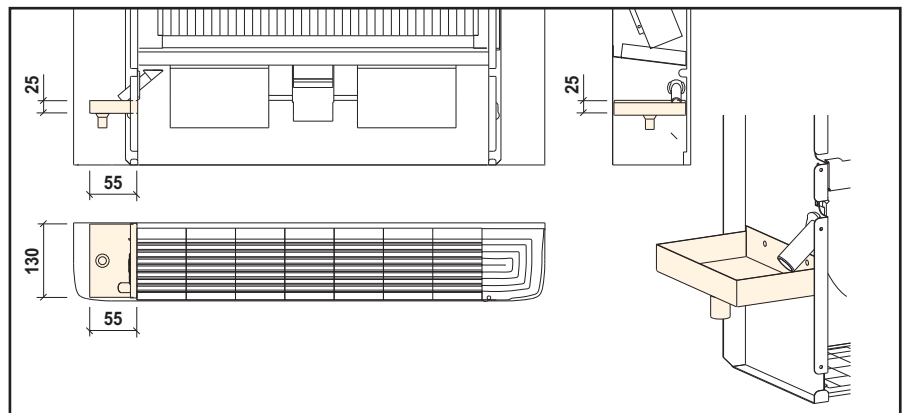
SLIM xx1 - xx3 - xx4 - xx9	
MOD.	CODE
SL 00x - 02x	A0055640068



AUXILIARY CONDENSATE COLLECTING TRAY – vertical version (INSULATED)

The painted, galvanised sheet metal auxiliary tray is used to collect condensate from the valves and the pipes connecting to the unit. It is suitable for vertically mounted fan coils.

SLIM xx0 - xx2 - xx5 - xx7 - xx8	
MOD.	CODE
SL 00x - 02x	A0055640067



CONDENSATE DRAIN PUMP

This pump is used to eliminate the condensation that collects in the tray in installations where there is no self-emptying outlet. The pump comes with filter to withhold impurities, float with activation contact, suction pipe, pump body complete with control electronics and overheating protection, wiring.

PUMP Alarm contact normally closed that automatically cuts off the air conditioning system compressor or valve, thermal protection 90° on the pump coil, electrical connection by plug (delivered with 1 m cable), rubber mounting bracket included..

AVANTAGES Small size, low noise level.

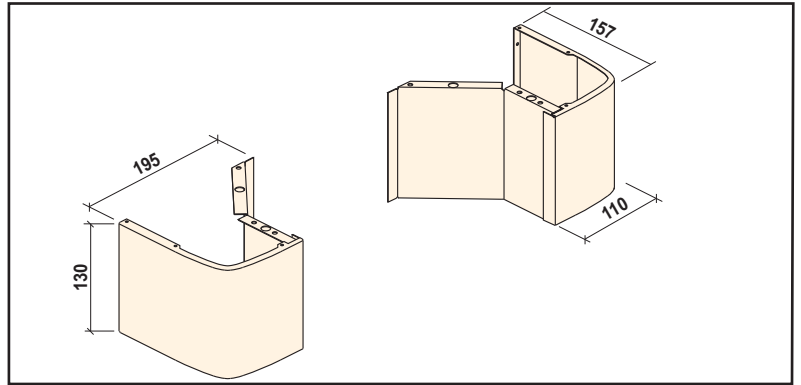
Mains supply	230V - 50Hz 18W
Max. flow rate	8 l/h
Max. suction head	1 m
Max. discharge head	6 m
Alarm contact	NC 8 A resistive
Thermal protection (overheat)	90°C
Sound level	<28dB(A) a 1 m
Pump dimensions	L 66 x l 44 x h 60 mm
Detection unit dimensions	L 55 x l 38 x h 32 mm

Version for HORIZONTAL FAN-COIL		SLIM xx0 - xx2 - xx5 - xx7 - xx8	
MOD.	CODE	MOD.	CODE
SL 00x - 02x	A0055650007		

Version for VERTICAL FAN-COIL		SLIM xx1 - xx3 - xx4 - xx9	
MOD.	CODE	MOD.	CODE
SL 00x - 02x	A0055650008		

PAIR OF ENAMELLED FEET

Pair of feet in pre-enamelled sheet metal designed to support the fan coil for floor-standing installation.

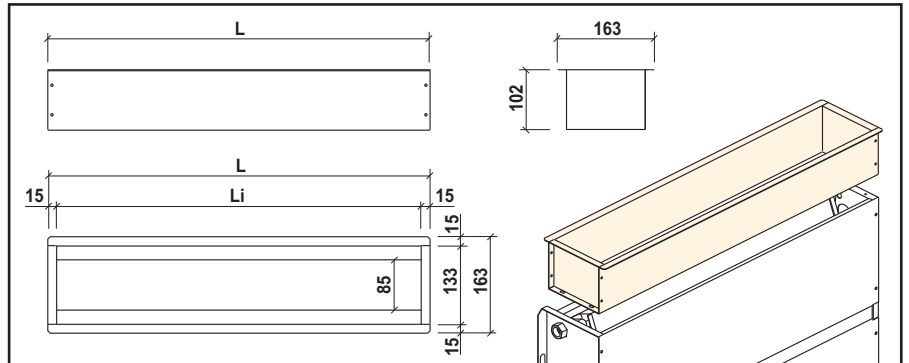


SLIM xx0 - xx8 - xx9 - xx1	
MOD.	CODE
SL 00x - 02x	A0055490033

STRAIGHT OUTLET FITTING

In galvanised sheet metal, it is used to convey air with vertical or horizontal built-in fan coil installation.

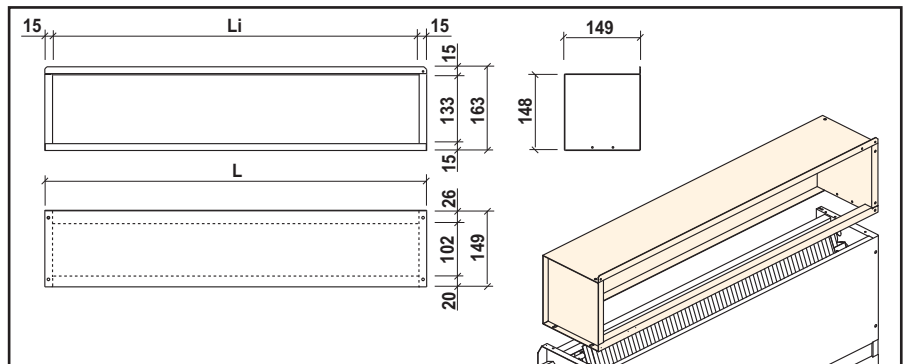
SLIM xx2 - xx3		L	Li
MOD.	CODE	mm	mm
SLIM 000	A0055500183	741	711
SLIM 010	A0055500184	941	911
SLIM 020	A0055500185	1.141	1.111



90° OUTLET ELBOW

In galvanised sheet metal, it is used to convey air with vertical or horizontal built-in fan coil installation.

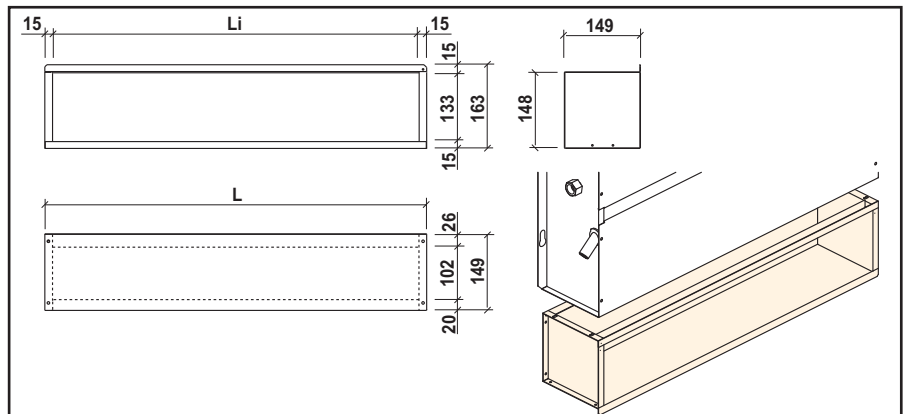
SLIM xx2 - xx3		L	Li
MOD.	CODE	mm	mm
SLIM 000	A0055500195	743	713
SLIM 010	A0055500196	943	913
SLIM 020	A0055500197	1.143	1.113



90° INTAKE ELBOW

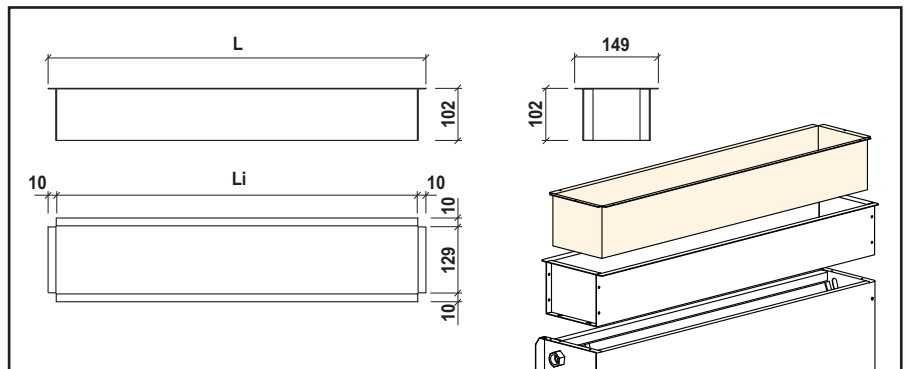
In galvanised sheet metal, it is used to convey air with vertical or horizontal built-in fan coil installation.

SLIM xx2 - xx3 - xx7		L	Li
MOD.	CODE	mm	mm
SLIM 000	A0055500191	743	713
SLIM 010	A0055500192	943	913
SLIM 020	A0055500193	1.143	1.113



TELESCOPIC EXTENSION FOR STRAIGHT FITTINGS AND ELBOWS

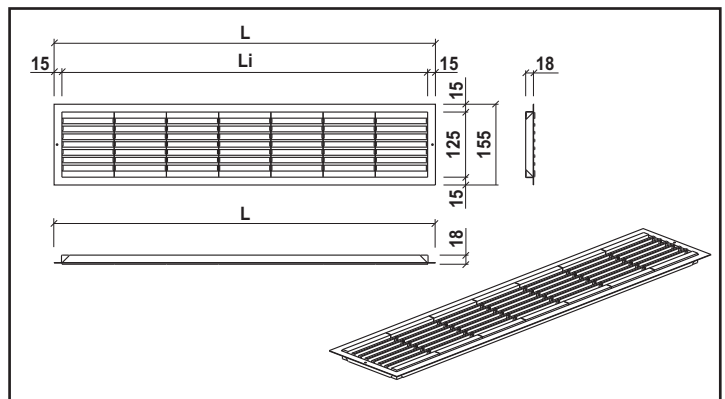
SLIM xx2 - xx3 - xx7		L	Li
MOD.	CODE	mm	mm
SLIM 000	A0055500187	740	707
SLIM 010	A0055500188	940	907
SLIM 020	A0055500189	1.140	1.107



OUTLET LOUVRES and INTAKE ABS GRILLE (with air filter)

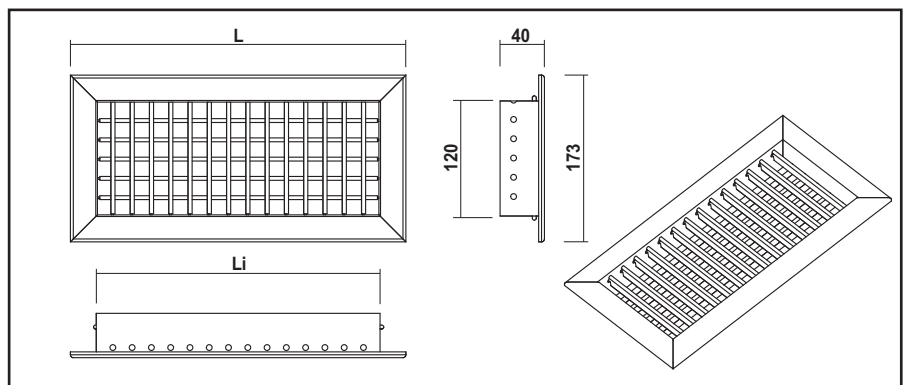
In high-strength enamelled sheet metal, they are complete with fixed louvres in thermoplastic material for the distribution/intake of air

SLIM xx2 - xx3 - xx7			L	Li
MOD.	CODE (outlet)	CODE (inlet)	mm	mm
SLIM 000	A0055520128	A0055520124	722	706
SLIM 010	A0055520129	A0055520125	922	906
SLIM 020	A0055520130	A0055520126	1.122	1.106



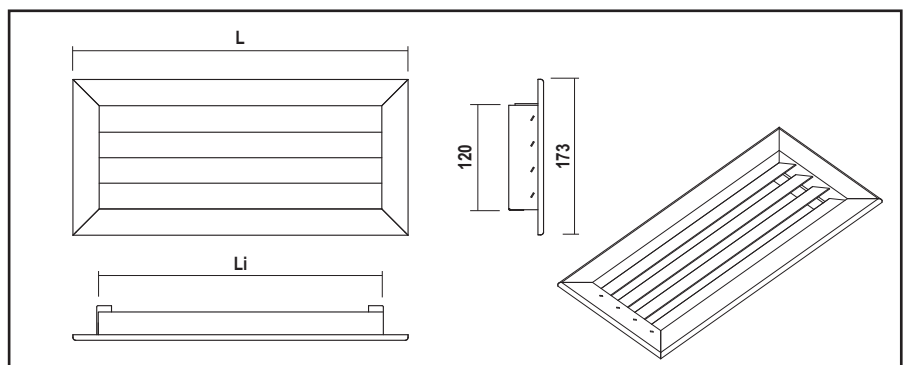
ALUMINIUM ADJUSTABLE SUPPLY AIR GRILL (without filter)

SLIM xx2 - xx3 - xx7		L	Li
MOD.	CODE	mm	mm
SLIM 000	A0055520120	748	695
SLIM 010	A0055520121	948	895
SLIM 020	A0055520122	1.148	1.095

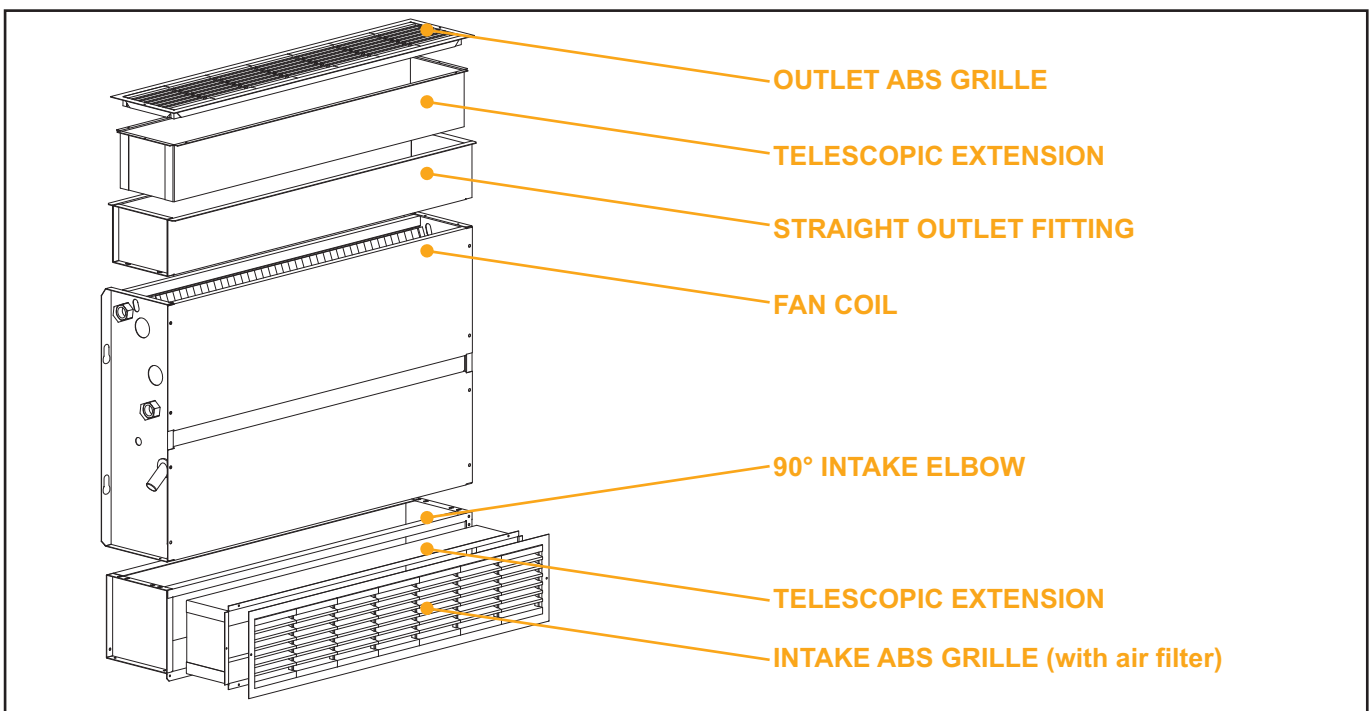


ALUMINIUM FIX INTAKE AIR GRILL WITH AIR FILTER

SLIM xx2 - xx3 - xx7		L	Li
MOD.	CODE	mm	mm
SLIM 000	A0055520116	748	695
SLIM 010	A0055520117	948	895
SLIM 020	A0055520118	1.148	1.095



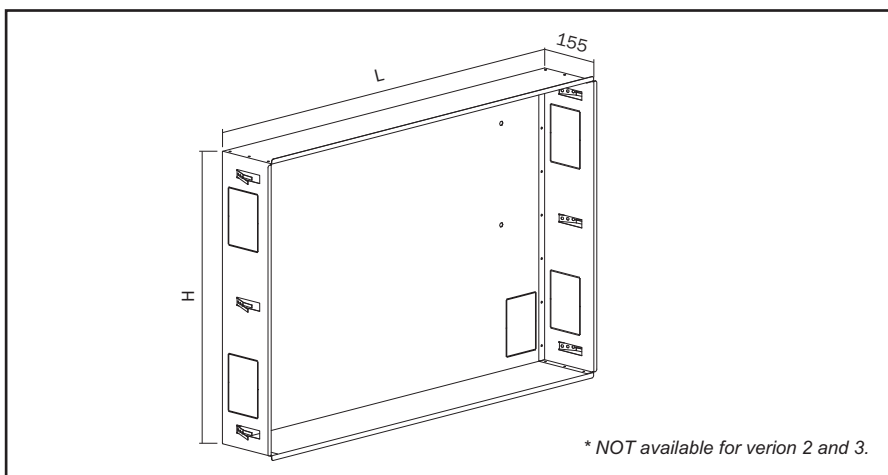
EXAMPLE OF USE OF FITTINGS AND GRILLES/LOUVRES



SPECIAL STEEL BOX FOR SLIM 0x7

The galvanized sheet metal box is used to ease the installation of the recessed fan coil version X7 (frontal air supply) inside the niche.

SLIM xx7		L	H
MOD.	CODE	mm	mm
SLIM 000	A0055530030	1.010	675
SLIM 010	A0055530031	1.210	675
SLIM 020	A0055530032	1.410	675



* NOT available for verion 2 and 3.

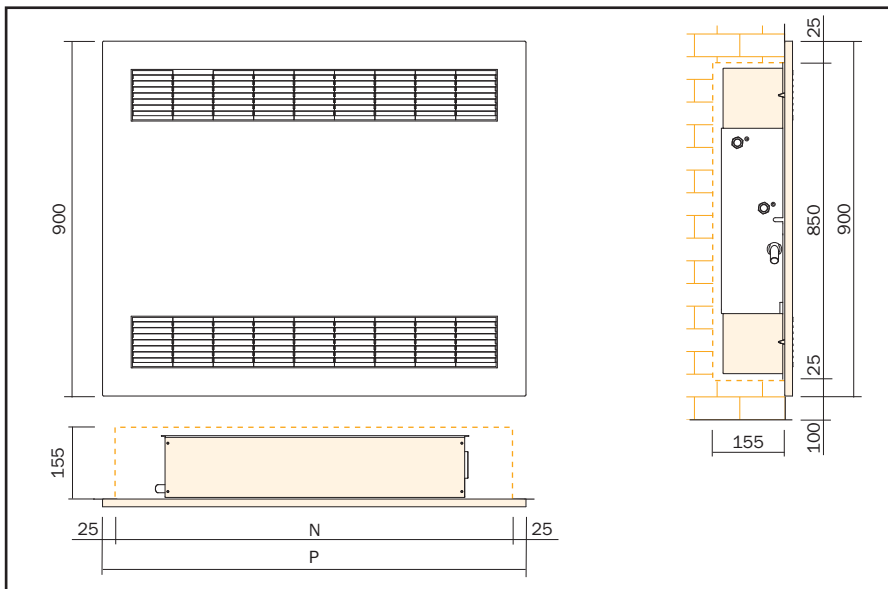
PRE-ENAMELLED WHITE SHEET METAL PANEL

Built-in fan coils (wall or ceiling mounted) should be concealed for aesthetic and safety purposes. The sheet metal panel does this by fully closing off the recess housing the appliance. The panel is made in pre-enamelled white sheet metal. It is fixed directly onto the fan coil with hidden self-tapping screws.

The panel is complete with:

- outlet grille;
- inlet grille with air filter;
- 90° intake elbow;
- 90° outlet elbow.

SLIM xx2 - xx3		N	P
MOD.	CODE	mm	mm
SLIM 000	A0055510137	1.000	1.050
SLIM 010	A0055510138	1.200	1.250
SLIM 020	A0055510139	1.400	1.450



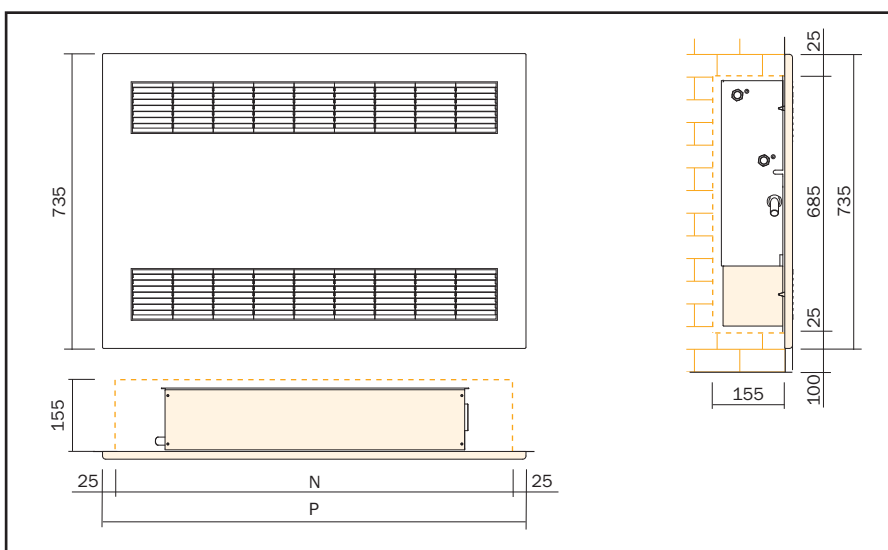
PRE-ENAMELLED WHITE SHEET METAL PANEL

Built-in fan coils (wall or ceiling mounted) should be concealed for aesthetic and safety purposes. The sheet metal panel does this by fully closing off the recess housing the appliance. The panel is made in pre-enamelled white sheet metal. It is fixed directly onto the fan coil with hidden self-tapping screws.

The panel is complete with:

- outlet grille;
- inlet grille with air filter;
- 90° intake elbow;

SLIM xx7		N	P
MOD.	CODE	mm	mm
SLIM 000	A0055510133	1.000	1.050
SLIM 010	A0055510134	1.200	1.250
SLIM 020	A0055510135	1.400	1.450



WHITE LACQUERED WOOD PANEL

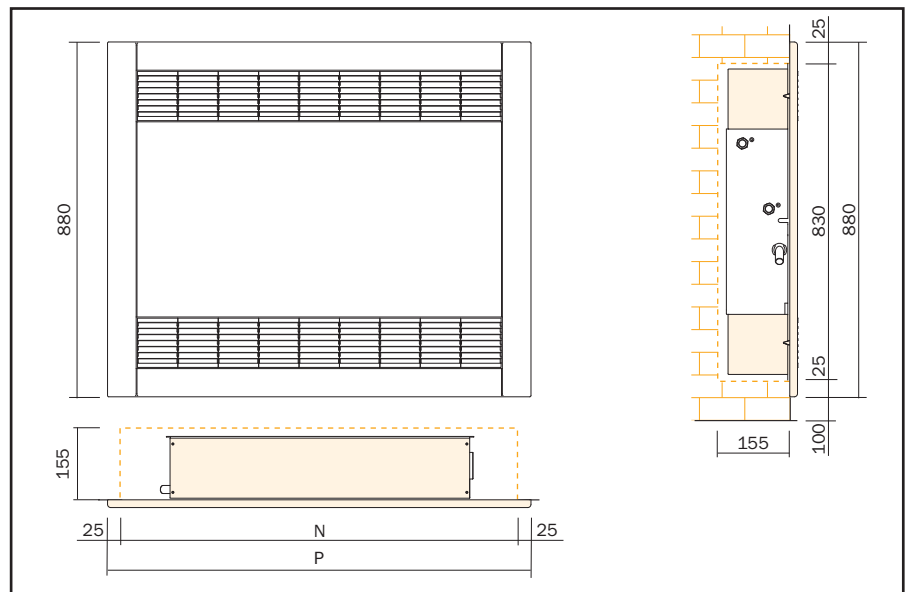
An elegant white lacquered wood panel for installation in environments where the design is particularly important. The wood panel allows the fan coil to be fully concealed by closing off the recess in which it is installed.

It is fixed directly onto the fan coil by hidden self-tapping screws.

The panel is complete with:

- outlet grille;
- inlet grille with air filter;
- 90° intake elbow;
- 90° outlet elbow.

SLIM xx2 - xx3		N	P
MOD.	CODE	mm	mm
SLIM 000	A0055510129	1.000	1.050
SLIM 010	A0055510130	1.200	1.250
SLIM 020	A0055510131	1.400	1.450



WHITE LACQUERED WOOD PANEL

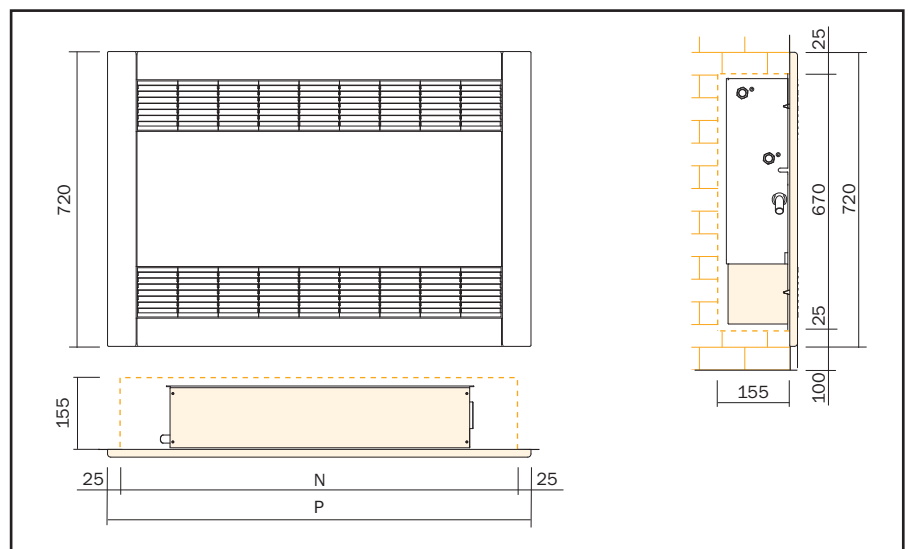
An elegant white lacquered wood panel for installation in environments where the design is particularly important. The wood panel allows the fan coil to be fully concealed by closing off the recess in which it is installed.

It is fixed directly onto the fan coil by hidden self-tapping screws.

The panel is complete with:

- outlet grille;
- inlet grille with air filter;
- 90° intake elbow;

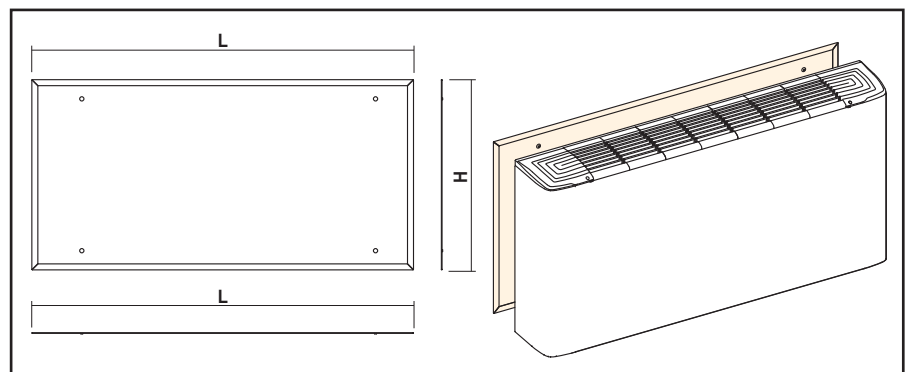
SLIM xx7		N	P
MOD.	CODE	mm	mm
SLIM 000	A0055510125	1.000	1.050
SLIM 010	A0055510126	1.200	1.250
SLIM 020	A0055510127	1.400	1.450



ENAMELLED REAR PANEL (FOR STANDARD CABINET)

Painted sheet metal panel for closing the rear part of the fan coil when exposed.

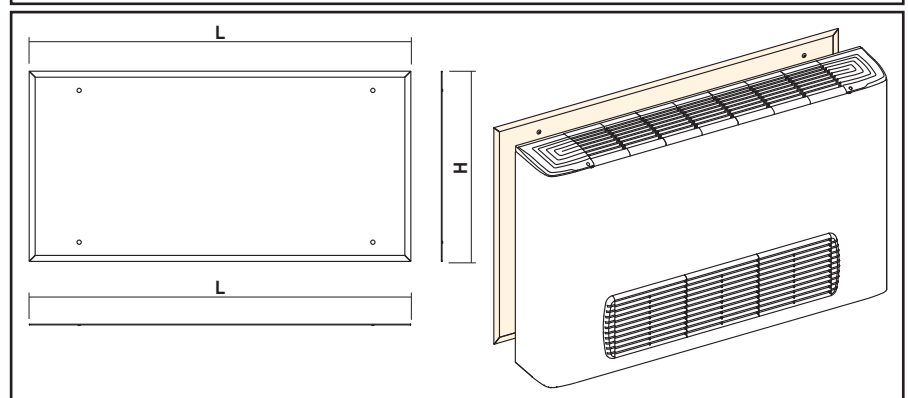
SLIM xx0 - xx5 - xx9 - xx4		L	H
MOD.	CODE	mm	mm
SLIM 000	A0055510149	955	476
SLIM 010	A0055510150	1.155	476
SLIM 020	A0055510151	1.355	476



ENAMELLED REAR PANEL (FOR VERSION x1 or x8)

Painted sheet metal panel for closing the rear part of the fan coil when exposed.

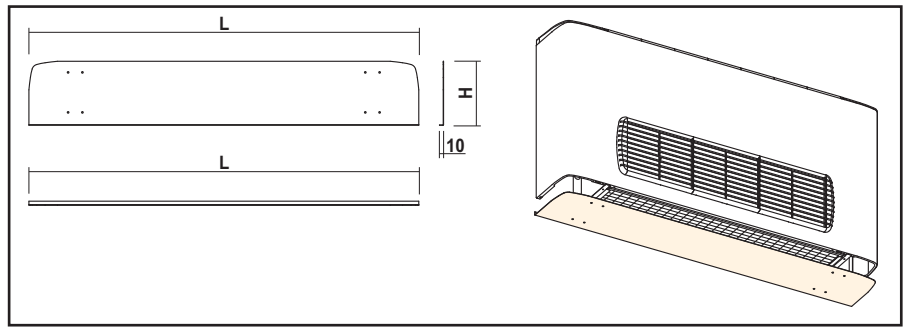
SLIM xx8 - xx1		L	H
MOD.	CODE	mm	mm
SLIM 000	A0055510145	955	600
SLIM 010	A0055510146	1.155	600
SLIM 020	A0055510147	1.355	600



BOTTOM PANEL WITHOUT GRILL

Painted sheet metal panel for closing the bottom part of the fan coil when exposed (for versions with front intake).

SLIM xx8 - xx5 - xx1 - xx4		L	H
MOD.	CODE	mm	mm
SLIM 000	A0055510141	955	157
SLIM 010	A0055510142	1.155	157
SLIM 020	A0055510143	1.355	157



TECHNICAL MANUAL

All data in this manual are no-binding for Ventilclima company who takes the right, without advance notice obligation, to provide to any modification for product improvements.



TPI Klimatimport AB
www.tpiab.com
info@tpiab.com